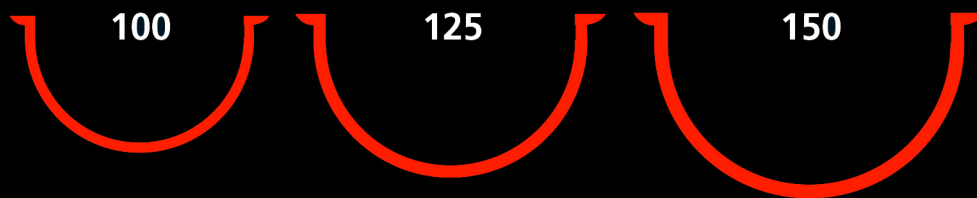
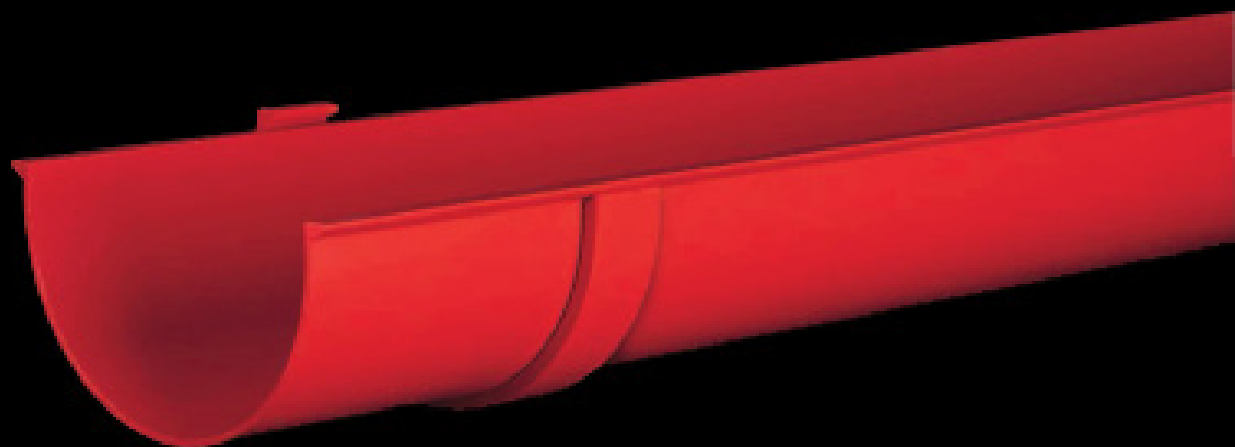


ALUMINIUM BEADED DEEP FLOW GUTTERING

Inspired by the 19th century Cast Iron Gutters



IF YOU DONT SEE WHAT YOU WANT - PLEASE ASK

Aluminium Beaded Deep Flow Guttering



INSPIRED
BY THE
19TH
CENTURY
CAST IRON
GUTTERS



Aluminium - the Responsible Eco-choice

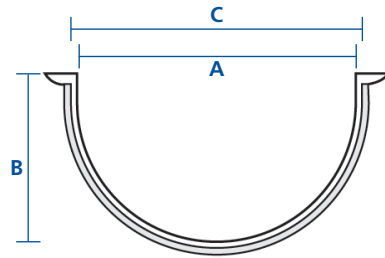
GUTTERCREST

www.guttercrest.co.uk

BEADED DEEP FLOW GUTTERS & FITTINGS

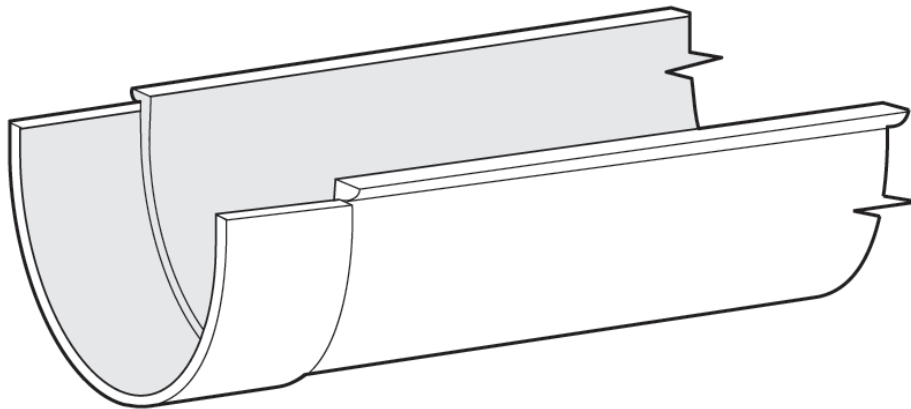
STANDARD GUTTER LENGTHS

Gutter (mm)	3mtr	1.8mtr	A (mm)	B (mm)	C (mm)	Material Thickness
100	BDF1/1	BDF1/2	100	60	114	2
125	BDF2/1	BDF2/2	125	75	140	2.5
150	BDF3/1	BDF3/2	150	90	171	2.75



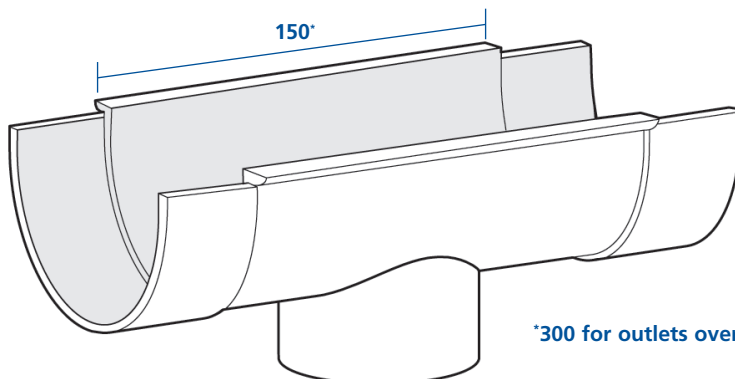
Other sizes manufactured as required

Standard 1.8m and 3m Lengths

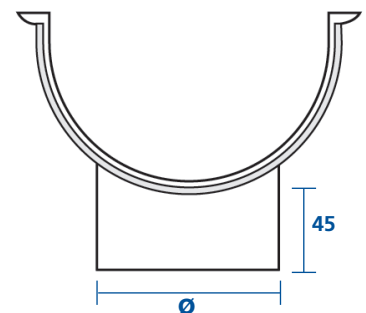


OUTLETS

Gutter (mm)	Round				Square and Rectangular				
	63 Ø	75 Ø	100 Ø	125 Ø	75x50	75x75	100x75	100x100	150x100
100	BDF1/13	BDF1/14	—	—	BDF1/18	BDF1/19	BDF1/20	—	—
125	BDF2/13	BDF2/14	BDF2/15	—	BDF2/18	BDF2/19	BDF2/20	BDF2/21	BDF2/22
150	BDF3/13	BDF3/14	BDF3/15	BDF3/16	BDF3/18	BDF3/19	BDF3/20	BDF3/21	BDF3/22

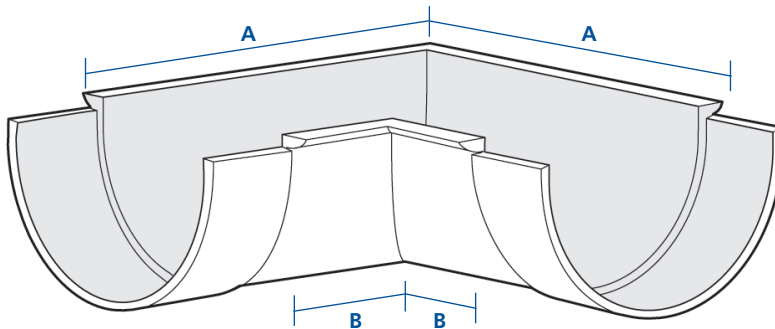


*300 for outlets over 100



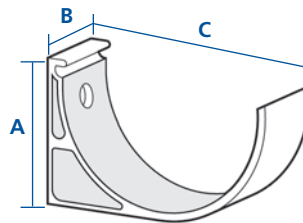
• ANGLES - INTERNAL AND EXTERNAL

Gutter (mm)	90°			135°			Irregular angle	
	Part No.	A (mm)	B (mm)	Part No.	A (mm)	B (mm)	Part No.	When ordering an Irregular Angle, state Ref No. and actual Fascia Angle & note that A+B lengths vary subject to angle
100	BDF1/3	145	30	BDF1/5	75	30	BDF1/7	
125	BDF2/3	155	30	BDF2/5	85	30	BDF2/7	
150	BDF3/3	200	30	BDF3/5	95	30	BDF3/7	



• FASCIA BRACKETS

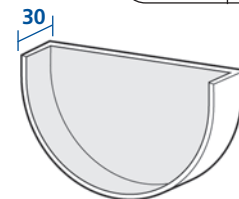
Gutter (mm)	Bracket	A (mm)	B (mm)	C (mm)
100	BDF1/28	70	30	118
125	BDF2/28	87	30	144
150	BDF3/28	105	30	177



• STOP ENDS

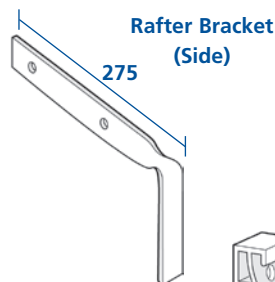
Gutter (mm)	Stop End
100	BDF1/9
125	BDF2/9
150	BDF3/9

External Stop Ends

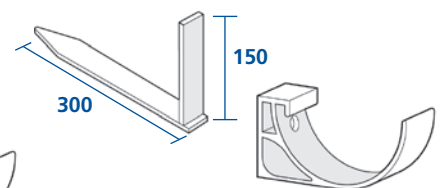


• RAFTER & MORTAR BRACKETS

Gutter (mm)	Side Rafter	*Top Rafter	Mortar Bracket
100	BDF1/29	BDF1/30	BDF1/31
125	BDF2/29	BDF2/30	BDF2/31
150	BDF3/29	BDF3/30	BDF3/31



Mortar Bracket (Standard sizes)



Special brackets on request

*We advise against the use of Top Rafter Brackets.