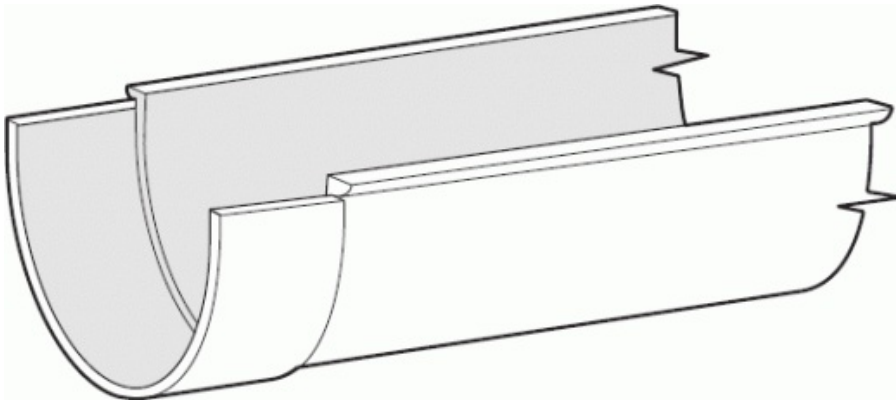


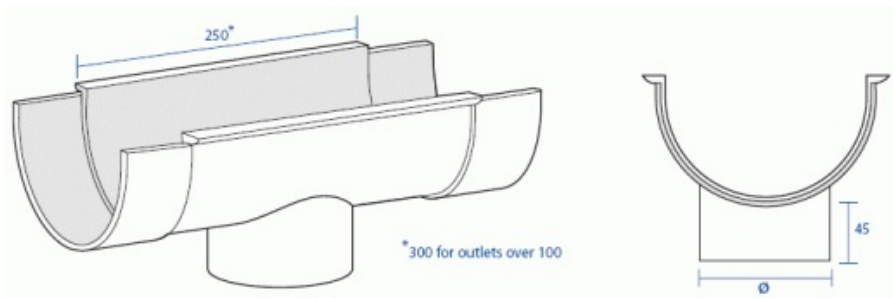
ALUMINIUM BEADED DEEP FLOW GUTTERS

STANDARD GUTTER LENGTHS



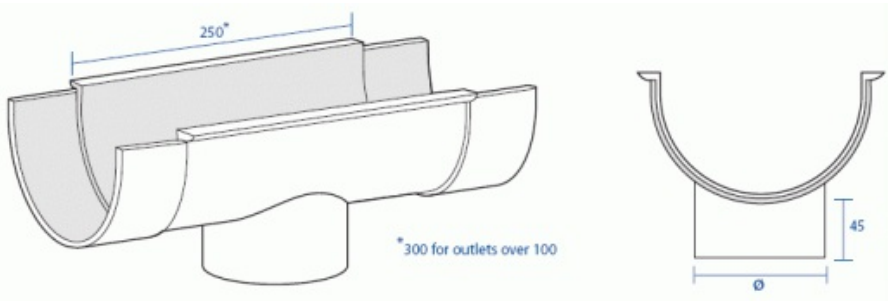
Gutter (mm)	100	125	150
3m	BDF1/1	BDF2/1	BDF3/1
MILL	20.85	29.23	39.41
PPC	26.20	36.07	47.95
1.8m	BDF1/2	BDF2/2	BDF3/2
MILL	15.55	21.32	27.77
PPC	18.80	25.17	32.96

OUTLETS ROUND



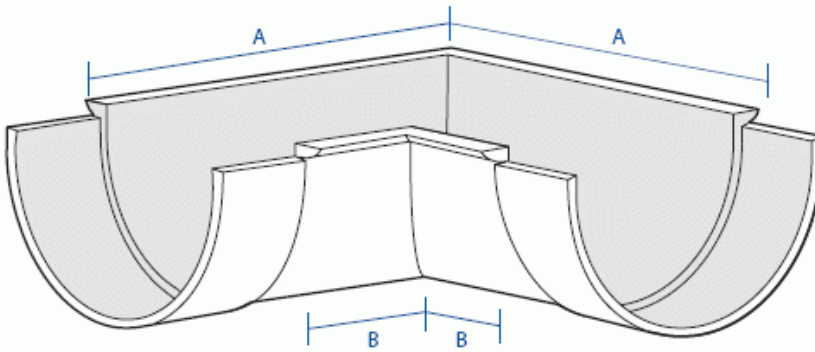
Pipe (mm)	100	125	150
63 Ø	BDF1/13	BDF2/13	BDF3/13
MILL	12.85	14.02	15.61
PPC	13.46	14.79	16.59
75 Ø	BDF1/14	BDF2/14	BDF3/14
MILL	12.96	14.09	15.69
PPC	13.58	14.88	16.66
100 Ø	-	BDF2/15	BDF3/15
MILL	-	14.71	16.26
PPC	-	15.50	17.24
125 Ø	-	-	BDF3/16
MILL	-	-	17.87
PPC	-	-	18.98

OUTLETS SQUARE & RECTANGULAR



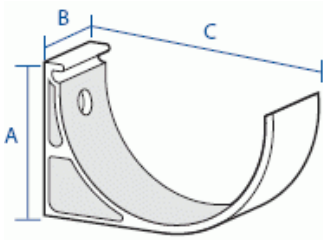
Gutter (mm)	100	125	150
75 x 50	BDF1/18	BDF2/18	BDF3/18
MILL	15.05	16.20	17.82
PPC	15.66	16.99	18.79
75 x 75	BDF1/19	BDF2/19	BDF3/19
MILL	15.40	16.54	18.12
PPC	16.01	17.31	19.10
100 x 75	BDF1/20	BDF2/20	BDF3/20
MILL	16.02	17.15	18.71
PPC	16.64	17.92	19.70
100 x 100	-	BDF2/21	BDF3/21
MILL	-	17.80	19.32
PPC	-	18.58	20.30
150 x 100	-	BDF2/22	BDF3/22
MILL	-	19.15	20.62
PPC	-	20.04	21.75

ANGLES - INTERNAL & EXTERNAL



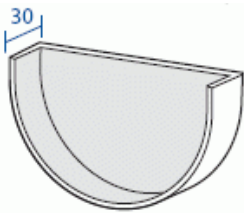
Gutter (mm)	100	125	150
90°	BDF1/3	BDF2/3	BDF3/3
MILL	11.04	13.88	17.56
PPC	11.94	15.06	19.15
135°	BDF1/5	BDF2/5	BDF3/5
MILL	10.24	12.35	15.14
PPC	11.01	13.59	16.44
Irregular angle	BDF1/7	BDF2/7	BDF3/7
MILL	14.03	17.64	22.34
PPC	14.93	18.82	23.94

FASCIA BRACKETS



Gutter (mm)	100	125	150
Code	BDF1/28	BDF2/28	BDF3/28
MILL	1.89	2.18	2.36
PPC	2.42	2.71	2.89

STOP ENDS



Gutter (mm)	100	125	150
Code	BDF1/9	BDF2/9	BDF3/9
MILL	3.80	3.99	4.43
PPC	4.33	4.51	4.96

FIXINGS

Code	Item	Quantity	Price
GM1	38 x No.14 - 5.5 gutter fixing	25NO	1.59
GM2	38 x Mo.14 - 5.5 gutter fixing	100NO	6.35
GM3	38 x Mo.14 - 5.5 gutter fixing	200NO	12.70
GM4	16 x No10 Pan Head Fixing	25NO	0.72
GM5	16 x No10 Pan Head Fixing	100NO	2.92
GM6	16 x No10 Pan Head Fixing	200NO	5.84
GM7	16xNo10 Counter Sunk Fixing	25NO	1.01
GM8	16xNo10 Counter Sunk Fixing	100NO	4.04
GM9	16xNo10 Counter Sunk Fixing	200NO	8.09
GM10	48mm Sealed Rivet	25NO	1.03
GM11	48mm Sealed Rivet	100NO	4.13
GM12	48mm Sealed Rivet	200NO	8.25
GM13	28mm Pullback Rivet	25NO	0.99
GM14	28mm Pullback Rivet	100NO	3.96
GM15	28mm Pullback Rivet	200NO	7.92
GM20	30 x 6 S/S DP fixing	25NO	4.28
GM21	30 x 6 S/S DP fixing	100NO	17.14
GM30	400ml silicone	1NO	4.39
GM32	12m Roll of Butyl Mastic Tape	1NO	2.75
GM34	1l Sealent cleaner	1Ltr	8.40
GM40	500ml Touch up	0.5Ltr	18.79
GM50	Drill Bit 4.8mm	1NO	1.47
GM67	Scissor / Lazy Tong Riveting Tool	1NO	46.07

Above prices exclude VAT and Delivery.

© Guttercrest 2012.

