

SlimStile EV

Tripod Turnstile for Internal or External Installation (*)

Tripod Turnstiles are compact and cost-effective entrance solutions designed for smooth and silent operation, less wear and tear and reduced power consumption, suitable for areas where there is a large flow of people.

SlimStile EV offers a well-designed, two-legged casework made of stainless steel, ideal for sites where robustness is required as a result of large flows of people. A 316 grade stainless steel and outdoor version is available, IP44. A double version is also available.

On receiving the signal from the access control system, or push button, this allows the passage of one person at a time.

The status is shown on the LED waymode indicators, in entry and exit side. In case of emergency, the hub freely rotates to allow an easier exit. The drop arm option can also be chosen which automatically drops the horizontal arm to allow free passage. Passage in both directions is electronically controlled.

The SlimStile EV is available in Normally Closed (N/C) configuration to lock the mechanism until a valid authorisation signal is received, or in Normally Open (N/O) configuration to lock the mechanism in the event of attempted unauthorised entry. The N/O configuration also allows reduced power consumption and increases the life of the mechanism and passage throughput speed. Led waymode indicators are included as standard.

(*) External installation is allowed under canopy.



SlimStile EV

www.gunnebo.com

Tripod Turnstile for Internal Installation

Drive

Hand-operated

Materials

Casework: 304 grade grained stainless steel
Casework lid: 304 grade grained stainless steel
Tripod hub: Cast aluminium with painted grey finish
Tripod arms: 38mm diameter 480mm 304 polished stainless steel

Mechanism

Electro-mechanical head mechanism :

- Positive locking action for one passage at a time
- Self-centering mechanism to ensure complete rotation into the home position
- Hyrdraulic damper to ensure smooth operation
- Anti-backup device to prevent reverse rotation once the mechanism has moved 60° from home

Power Failure / Fire Alarm

- Either one or both directions can be fail-safe (standard), i.e. rotates freely, or fail lock, i.e. locks in the home position
- Fire alarm - emergency input. Input facility available for free voltage contact to effect fail-state
- Mechanism fail state will be the same as power failure choice
- Drop arm option: the horizontal arm drops to create passage for evacuation

Interface

- LL2001Lite microprocessor control logic:
- One input for opening/locking in each direction
- Two protected outputs controlling opening/locking
- Four protected outputs piloting waymode indicators
- Two protected outputs counting passage in either direction
- Two OV output relays indicating availability of use or counting passage in either direction
- Two open collector NPN outputs to count passage or to indicate availability of use in either direction or to activate the optional drop arm feature
- Serial Port - RS485

MODELS

- Single
- Double
- 316 grade stainless steel

OPTIONS

- Card reader mounting
- Remote control MP2000
- Push button control
- Pictograms
- LCD counter
- Drop arm
- 316 stainless steel (single only)
- Coin acceptor application
- Apron infill (glass or steel)

BENEFITS

- Well-designed two-legged casework made of stainless steel
- Silent operation and reduced power consumption

APPLICATIONS

- Government
- Retail
- Finance
- Telecommunications
- IT
- Banking
- Publishing
- Leisure
- Petrochemical
- Education...

SlimStile EV

www.gunnebo.com

TECHNICAL DATA

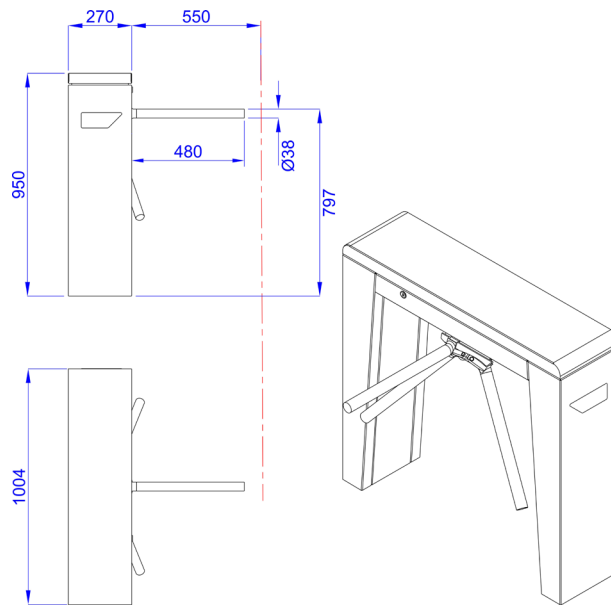
Dimensions	See details on next page
Power Supply	230Vac 50 Hz or 115Vac 60 Hz
Power Rating	50VA (stand by 5VA if Normally Open)
Operating Temperature	-5 (-10 with heating kit, for Single model) to +50 °C (RH 95% not condensing)
IP rating / MCBF / MTTR	IP 44 / 10M cycles (12M if Normally Open) / less than 30 min
Flow Rates (approximate figures)	
	Insertion Type Reader: 20 passages per minute
	Swipe Type Reader: 30 passages per minute
	Proximity Reader "Hands Free": 40 passages per minute

SlimStile EV

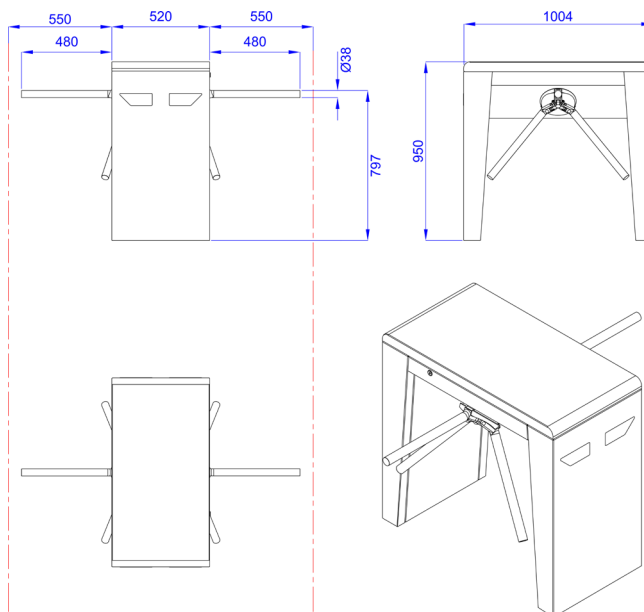
SITE PREPARATION

Product delivered fully assembled and may require lifting equipment
Approx. weight: 50Kg, Double version 95Kg
(For installation details, please refer to the installation manual.)

Single cabinet version



Double cabinet version



Concrete Base to specification at least fck (cube) 300N/mm² of resistance.
Base to be flat and level to +/- 5mm over footprint area.
Dimensions to be > 1200 x 500 x 150mm deep min
(1200 x 650 x 150 for Double version) (units in mm)

SlimStile EV

IMPORTANT

- Any horizontal pipe or conduit running below the Tripod Turnstile must be at least 140mm below FFL.
- Metal conduit for cables should be raised at least 50mm from foundation
- It is the customer's responsibility to ensure the structural integrity and strength of the installation location.
- The dimensions given in this Product Data Sheet are for information only. In order to prepare the installation site, please refer to your usual Gunnebo Customer Service contact

For further information, please contact:

Gunnebo Entrance Control Ltd

Tel: +44 1825 761 022

Fax: +44 1825 763 835

Email: info.entrancecontrol@gunnebo.com

Note: In pursuit of its policy of continuous refinement and improvement, Gunnebo Entrance Control reserves the right to modify design and details at any time and without notice.

