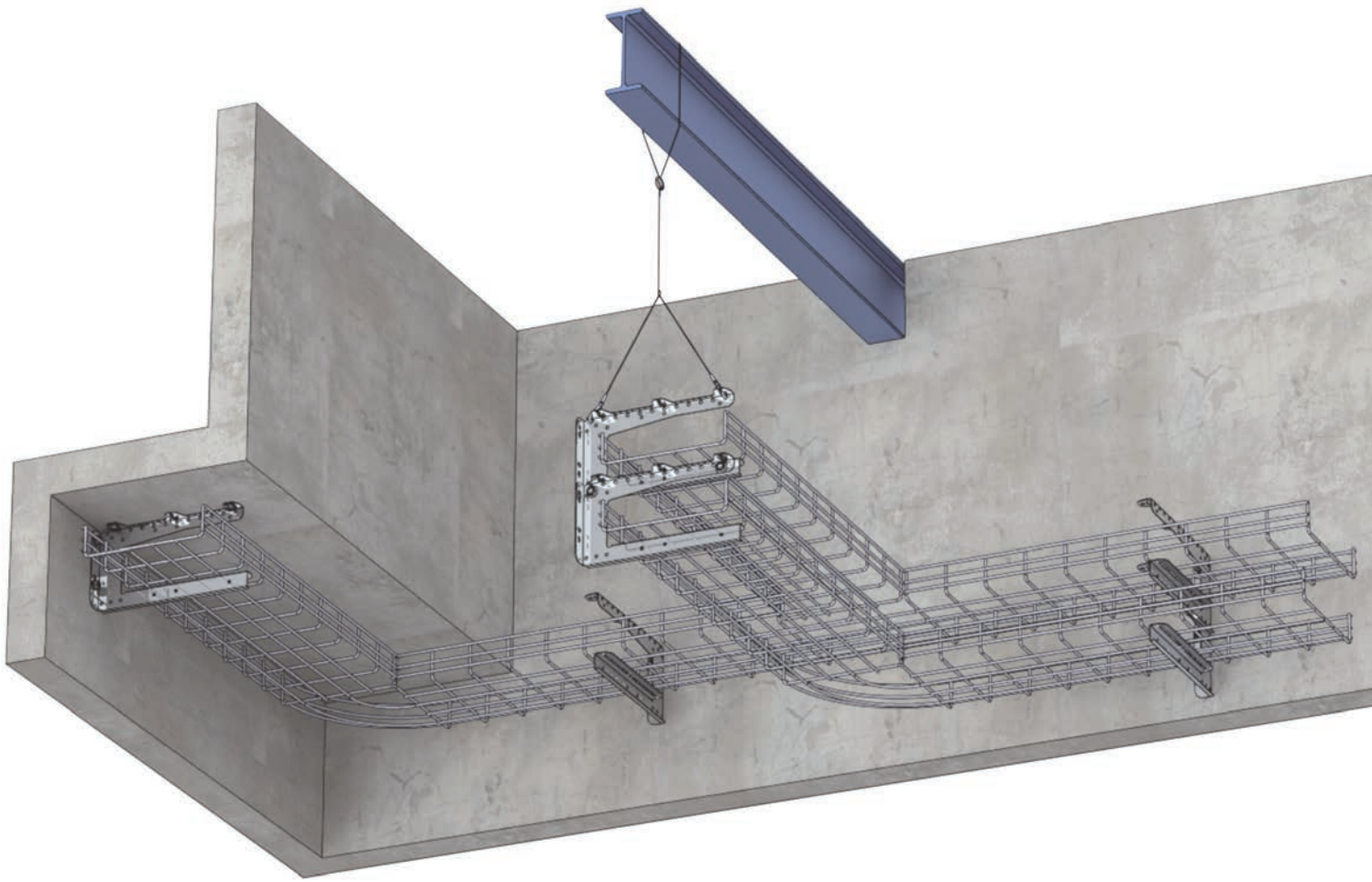




G-Bracket

For suspending cable containment
and electrical applications





G-Bracket

The all new G-Bracket design makes short work of hanging or wall mounting all kinds of electrical cable containment.

The G-Bracket is ideal for use in conjunction with our Y-Fit range, with the hook end fixing offering a quick and easy containment suspension method. The G-Brackets' unique shape offers the ability to keep one side open, allowing cable loading after the complete installation.

- Versatile - designed for wall and soffit mounting
- Naturally compatible with the Y-Fit range, Trapeze No.2 or No.3 as a means of suspension
- Higher - storage height increased to 110 mm
- Clearance increased to 130 mm to fit electrical cable easily
- Ready to use
- Cables are loaded easier and faster
- Complete installation is well balanced
- Ability to stack side by side or one on top of each other
- Lightweight
- The G-Spacer allows the linking of two G-Brackets, with a distance of 300 mm to separate both electrical and data cables



G-Bracket

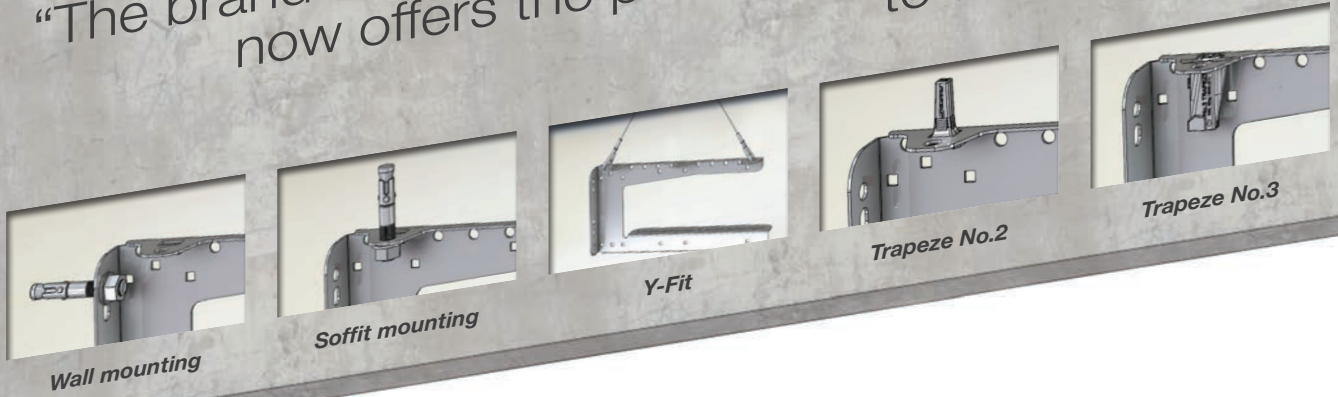


G-Spacer

Scan this with your smart phone
and visit the G-Bracket web page!



“The brand new lightweight and versatile G-Bracket now offers the possibility to be directly fixed to wall and soffit.”



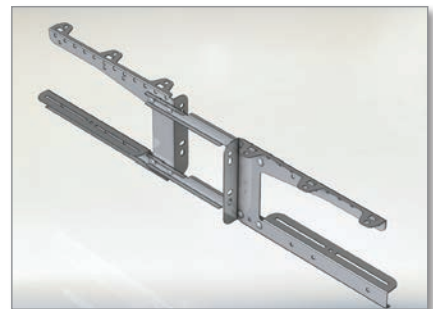
Mounting concepts



Side to side

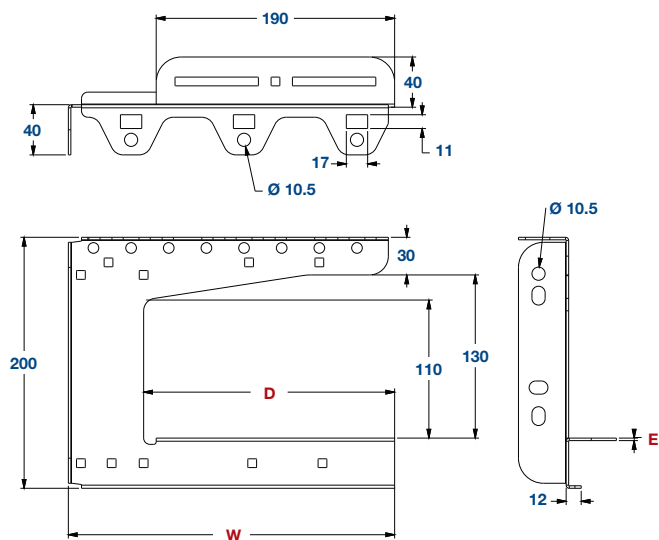


Vertical stack

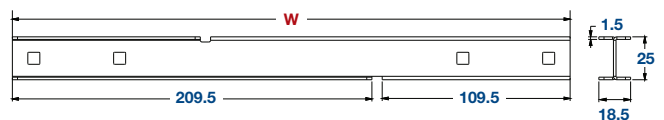


Side to side with G-Spacers

Dimensions - G-Bracket



G-Spacer



Product code	Maximum Working Load	D (mm)	W (mm)	E (mm)
G-BRACKET-100	30 kg	125	185	1.5
G-BRACKET-200	60 kg	200	260	2
G-BRACKET-300	60 kg	325	385	3
G-SPACER	-	-	325	-

www.gripple.com
info@gripple.com



Gripple Ltd (Headquarters)

The Old West Gun Works
Savile Street East
Sheffield S4 7UQ
UK

UK Sales: 0800 018 4264
Fax: +44 (0)114 275 1155
Email: info@gripple.com



Gripple Europe SARL

1, rue du commerce
BP 37
67211 Obernai Cedex
France

T | +33 (0)3 88 95 44 95
F | +33 (0)3 88 95 08 78
E | frinfo@gripple.com

Gripple Inc

1611 Emily Lane
Aurora
IL 60502
USA

T | +1 866 474 7753
F | +1 800 654 0689
E | usinfo@gripple.com

Gripple Benelux

1, rue du commerce
BP37
67211 Obernai Cedex
Frankrijk

T | +31 (0)70 363 34 30
F | +31 (0)70 362 18 44
E | nlinfo@gripple.com

Gripple Portugal

Estrada Nacional 4
Km 46,5 Pontal
2985-201 Pegões
Portugal

T | +351 265 898 870
F | +351 265 898 879
E | ptinfo@gripple.com

Gripple GmbH

Pariser Ring 1
76532 Baden-Baden
Deutschland

T | +49 (0)700 95 44 95 11
F | +49 (0)700 95 08 78 11
E | deinfo@gripple.com

Gripple s.r.l

Via Marconi, 32
24068 Seriate BG
Italia

T | +39 (0)35 300 246
F | +39 (0)35 424 0036
E | itinfo@gripple.com

Gripple Industrial Ibérica, S.L.

Ctra. Logroño km 7, 3 Pol. Europa 1
50011 Zaragoza
España

T | +34 (0)97 678 32 67
F | +34 (0)97 678 32 68
E | esinfo@gripple.com

Gripple Australia / NZ

Polyplas Pty Ltd, 30 Sydney Rd
Bayswater, Victoria 3153
Australia

T | +61 (0)3 9720 0449
F | +61 (0)3 9720 0469
E | auinfo@gripple.com

© 2012 Gripple

Gripple is a registered trademark of Gripple Limited,
Company registered in England No. 1772901, VAT Reg No. GB 600 1951 88

BROC-IND-GBRKT-ENG