

Butterfly Trapeze



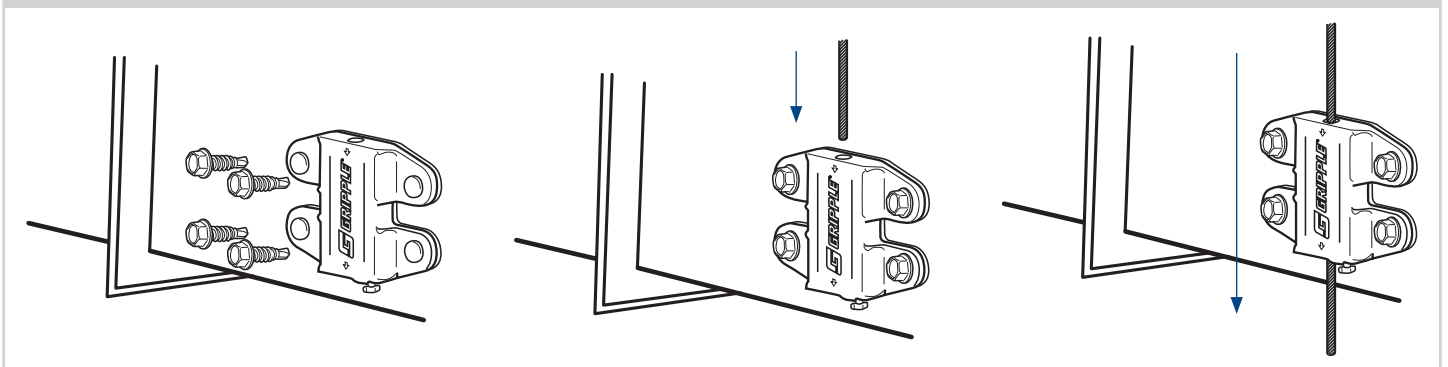
Designed to improve the installation and suspension of plenum boxes, or small ductwork, in tight spaces. This purpose made single channel is compact and fits into minimal space, whilst offering finger-tip vertical adjustment.

ADVANTAGES

- Ideal for applications where space is tight – eg. Plenum boxes or small rectangular duct
- Finger tip vertical adjustment using the integral key
- Spreads the load across 4 fixing points
- Conforms to DW144 Class C
- Rubber pad prevents air leakage and dampens vibration
- Load rated at 45kg with a 5:1 safety factor
- Can be used for multi-tier installations
- Supplied as a ready to use kit



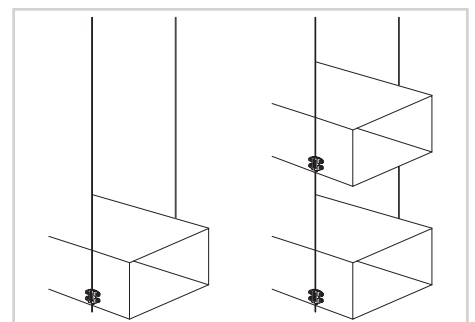
INSTALLATION



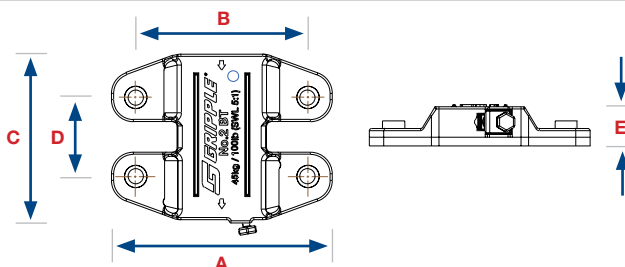
END FIXINGS



For further detailed information on any of our end fixings, please visit our website or contact us using the information below.



PRODUCT SPECIFICATIONS



Dimension	Size (mm)
A	51.0
B	39.0
C	38.0
D	18.0
E	9.0