

RootForm

Root Management



Overview

GreenBlue Urban's new RootForm is designed to be filled with concrete to form a high strength haunch around the tree.

Many benefits include leaving a perfect base for fixing down tree grilles and preventing compaction of the tree rooting area immediately adjacent to the root ball.

The simple, strong, click together sections are ready for concrete pour in moments and the sectional format means it is suitable for any size tree pit.

RootDirectors naturally encourage deep root growth improving stability and drought balance.

Features

- Modular construction for any sized tree pit
- Recycled HDPE is resistant to puncture, biodegradation, and photodegradation
- 400mm standard depth
- Suitable for inclusion of steel reinforcement if required

Benefits

- Prevents 'root girdling' - a fatal rooting pattern
- Deeper root growth improves drought tolerance, tree stability and longevity
- Guides roots away from areas vulnerable to de-icing salts
- Prevents pavement 'root heave' effectively eliminating trip hazards
- Assembled ready for concrete pour in moments



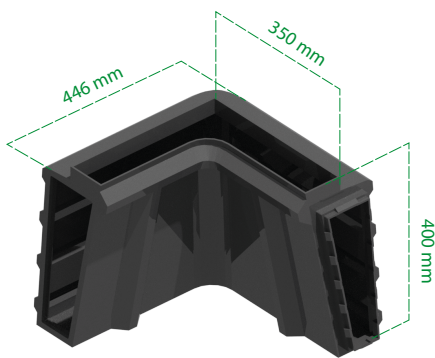
Technical Specification

Product Code	Description	Depth	Tree grille frame size	Components
RF4-12A	Complete Set 1200mm	400mm	1200mm square	4x Corner, 4x 500
RF4-15A	Complete Set 1500mm	400mm	1500mm square	4x Corner, 4x 300, 4x 500
RF4-18A	Complete Set 1800mm	400mm	1800mm square	4x Corner, 8x 300, 4x 500
Individual sections:			Material	Weight
RF4-CRA	Corner section 350mm	400mm	Recycled HDPE black	3.32kg
RF4-30A	Straight section 300mm	400mm	Recycled HDPE black	1.84kg
RF4-50A	Straight section 500mm	400mm	Recycled HDPE black	2.93kg

Concrete specification (not supplied)

Specification to be approved by structural engineer, postcrete type materials are suitable for most applications.

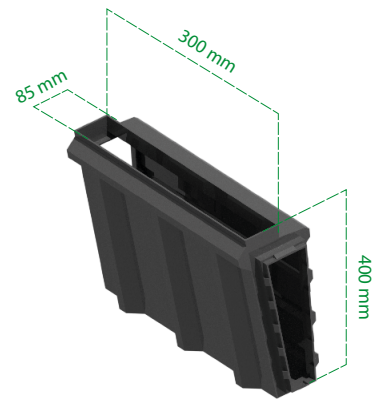
Steel reinforcing rods can be added if required.



RF4-CRA



RF4-30A



RF4-50A



Storage & HAZCHEM

- Not applicable



NBS Specification

- Available on the NBS website



Maintenance

- No maintenance required