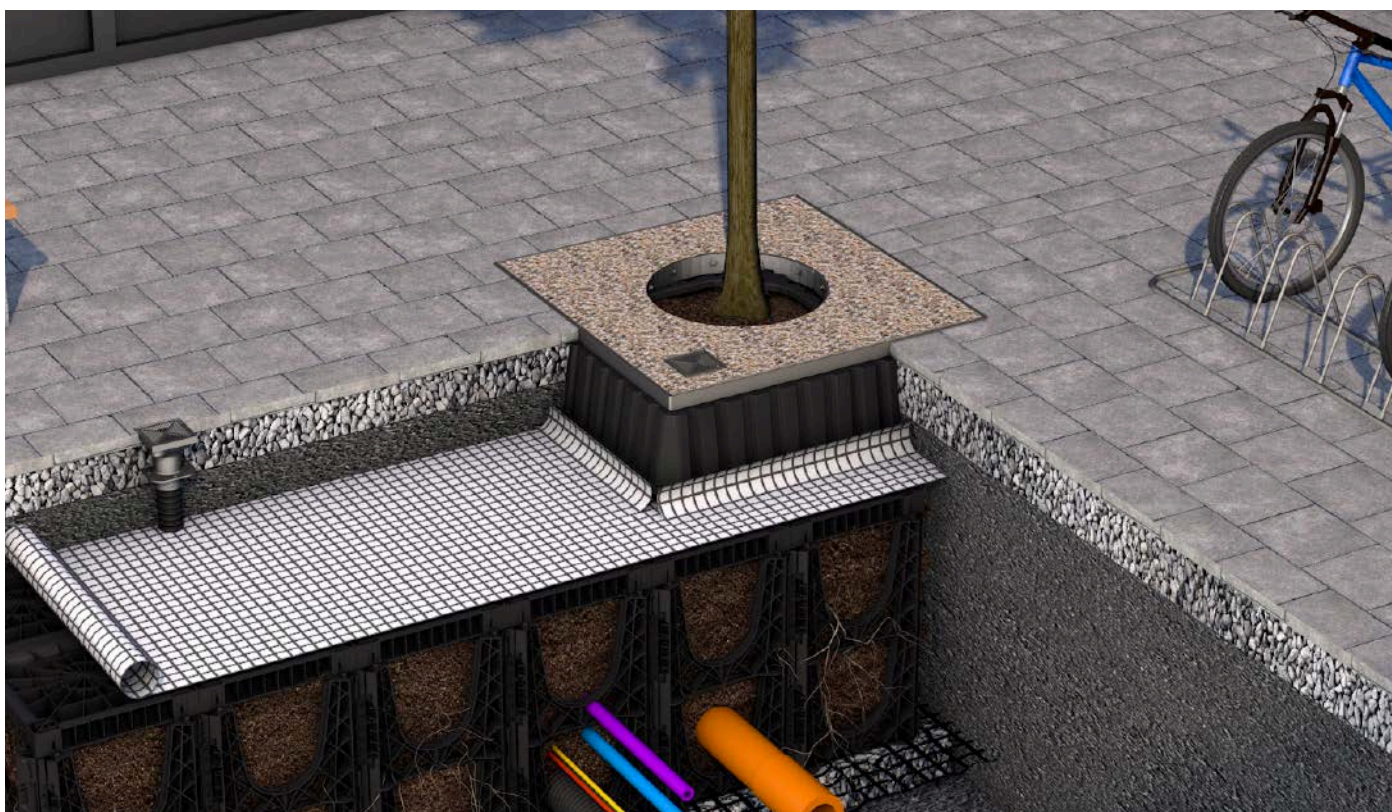


RootDirector

Modular Root Management



i Overview

Designed for the protection of pavements and hard landscaped areas, the ribbed RootDirector system prevents root swirl and diverts root growth downward and outward thus avoiding the unsightly and hazardous root damage so commonly seen in urban areas.

The RootDirector's rigid, one-piece construction makes installation simple. As a product within the 'Arborsystem' range, it is compatible with the RootRain irrigation system, RootCell / StrataCell load bearing soil soil structure and our extensive tree grille and guard range. The RootDirector 'RS' range is specially designed to locate securely into the RootSpace soil cell system.

📄 Features

- Modular preformed construction
- Integral ribs to prevent root girdling
- 'RS' range fits RootSpace soil cells
- Stack-able for ease of transport

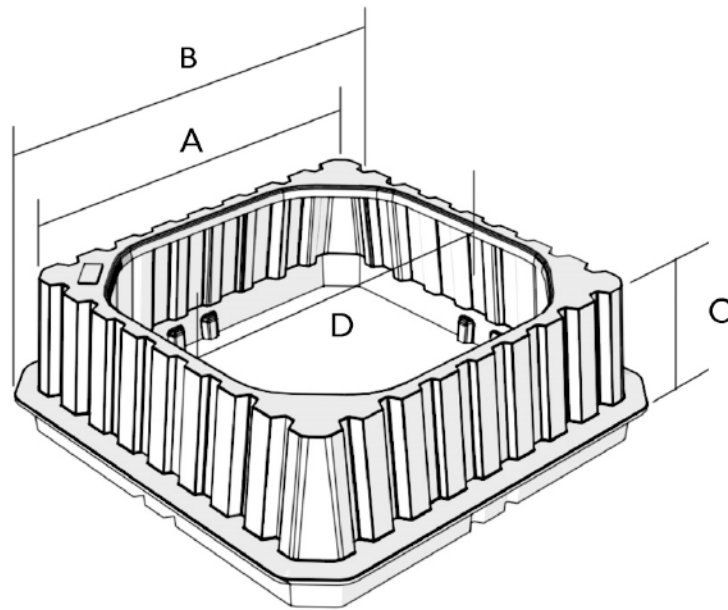
✓ Benefits

- Prevents 'root girdling' - a fatal rooting pattern
- Deeper root growth improves drought tolerance, tree stability and longevity
- Guides roots away from areas vulnerable to de-icing salts
- Prevents pavement 'root heave' effectively eliminating trip hazards
- Super fast installation - no cutting or joining tape



Technical Specification

Code	A Dimension	B Dimension	C Dimension	D Dimension
RD510A	510mm	595mm	310mm	425mm
RD640A	630mm	885mm	455mm	575mm
RD1050A	975mm	1370mm	545mm	860mm
RD1400A	1300mm	1805mm	500mm	1200mm
RD1000-RSA	888mm	1050mm	250mm	800mm
RD1500-RSA	1388mm	1550mm	250mm	1300mm



Storage

- Not applicable



Maintenance

- Not applicable