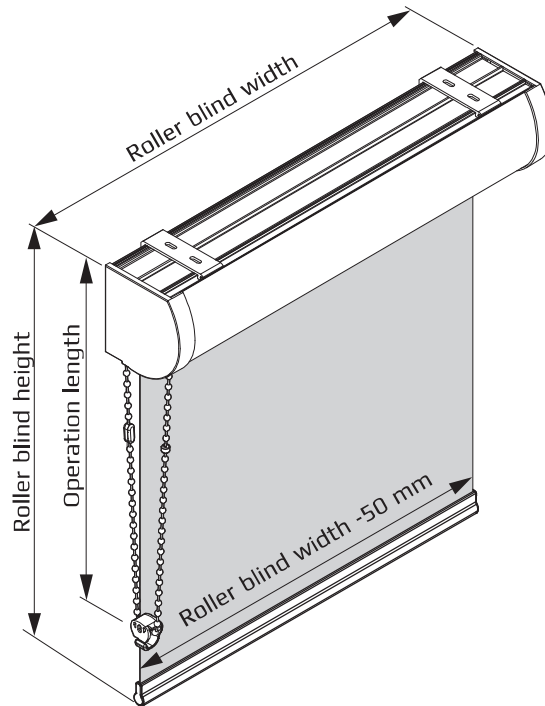


RL12 - Large Roller blind with round cassette profile and lateral chain operation


Child safety:
for further informations
please refer to page 46

**Dimensions/
Roller blind measures**

- **Width** : max. 4.00 m (depending on the fabric)
- **Height** : max. 4.00 m (depending on the fabric)
- **Fabric** : max. 12.0 kg

Gear/Hardware

- **Side pulley** with a cord lock via spring clutch.
The spring clutch enables an exact, free positioning of the fabric in any desired position. An additional lift assistance spring enables an easier operation of heavy-weight fabrics.
- **Cassette profile, round** (115 x 120.5 mm) is made of extruded aluminium (Al Mg Si 0.5 F22).
- **High-precision tube shaft** (Ø43.0 / Ø52.0 / Ø65.0 mm) is made of extruded aluminium (Al Mg Si 0.5 F22).
- **Closing profile** (18 x 36 mm) is made of extruded aluminium (Al Mg Si 0.5 F22) and applicable for the cord guiding, tight brushes are usable.
Additional weighting by steel profiles is possible.
- **Plastic parts** used are of high-grade, temperatur-resistant and abrasion-resistant material.
- **Cord guiding** at up to a max. 15° angle.
Steel cord, transparently plastic-coated (Ø2.0 mm).
- **Profile guiding**
The end caps of the closing profile are guided in the profile guiding.
The fabric extends on both sides into the profile guiding. Inclination angle: max. 15°.
Measures: cross section = 70 x 27 (47) mm / length = max. 4.00 m. incl. tight brushes.

Operation

- **Chain operation**
by an endless ball chain (Ø6.0 mm x 12.0 mm) - plastic balls on a polyester cord in transparent/white, transparent/grey or transparent/black.
Optional metal ball chain (Ø4.5 x 6.0 mm) made of nickel-plated brass or stainless steel or plastic ball chain (Ø4.5 x 6.0 mm) in white, black, grey and beige.
- **Operation side:** optional left or right.
- **Fixation** of the chain operation by through Cord/chain safety device transparent.
- **Operation length:** freely selectable (In compliance with child safety).

Colours

- **Closing profile** (18 x 36 mm), **Cassette profile** (115 x 120.5 mm) and **Profile guidings** are technically anodised according to E6/EV1 in silver or powder-coated white (RAL 9016), black (RAL 9005), grey (RAL 9006) or beige (RAL 1013).
- **Fixing brackets** are made of galvanized steel.
- Matching **Plastic parts** in white, black, grey and beige.

RL12 - Large Roller blind with round cassette profile and lateral chain operation

Mounting

- **Mounting with universal bracket** on the wall or ceiling.
- **Cord guiding** screwed directly on the bracket or with the angle (galvanized and white).
- **Profile guiding** screwed directly into the wall or reveal.

Option

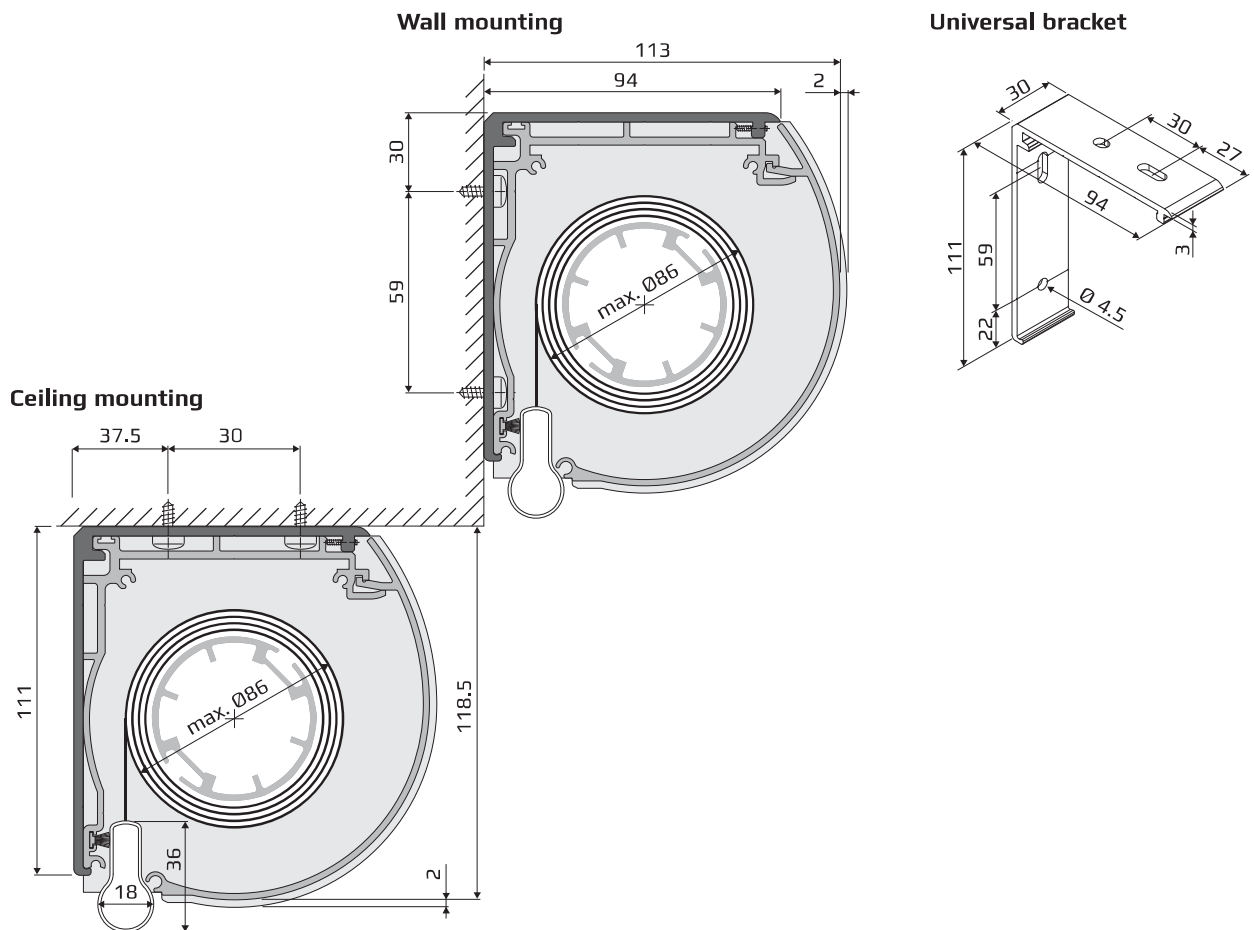
• **Coupling**

Up to three systems of the same type with an integrated operation.

Total width: max. 6,0m, Total area: max. 16 m²,

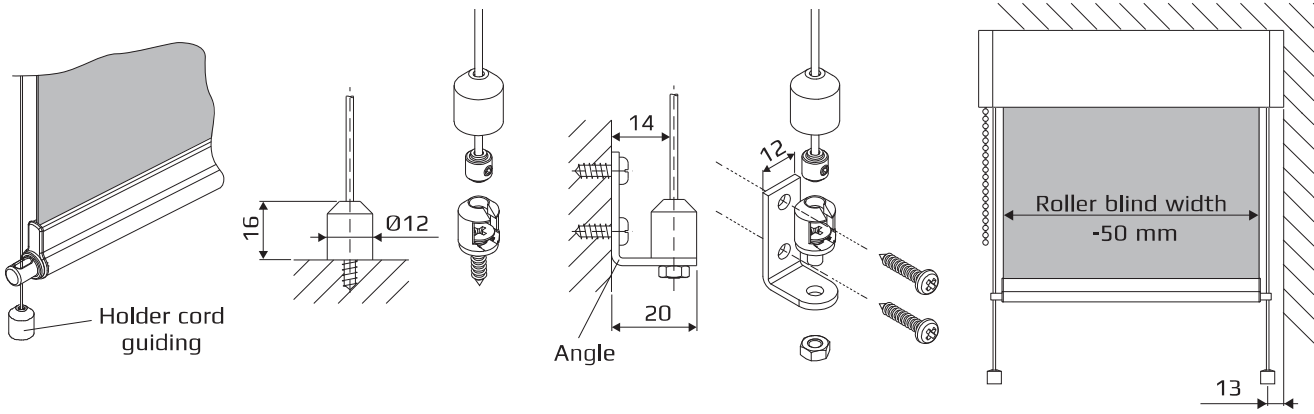
The fabric weight is depending on the operation variant and the diameter of the shaft 7.0 kg - 12.0 kg.

Mounting



RL12 - Large Roller blind with round cassette profile and lateral chain operation

Cord guiding



RL12 - Large Roller blind with round cassette profile and lateral chain operation

Profile guiding

