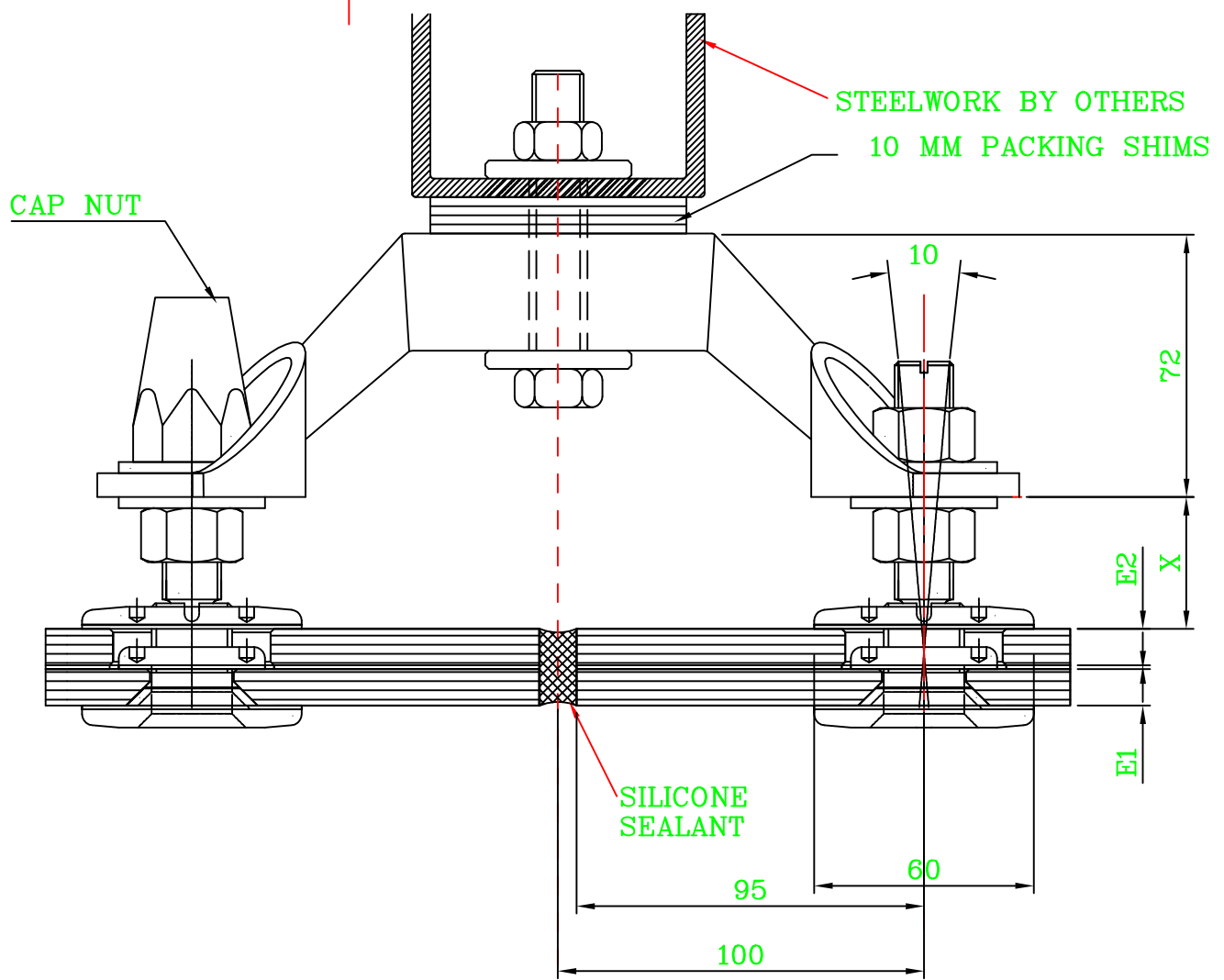


E1 mm	E2 mm	X
10	6	43 (+/-7)
10	8	41 (+/-7)
10	10	39 (+/-7)
12	6	41 (+/-7)
12	8	39 (+/-7)
15	6	38 (+/-7)



SINGLE LAMINATE – PROUD BOLT  
 BOLR REF: MST 23R – with standard M16 nut  
 BOLR REF: MST 23R CAP– with M16 Cap nut

REV A: NEW BOLT REF. & SET OFF DIMS

TITLE: TYPICAL LAMINATED VEA ASSEMBLY  
 WITH MST 23R BOLT

DWG. No.  
 MST 26R –

REV.  
 0A