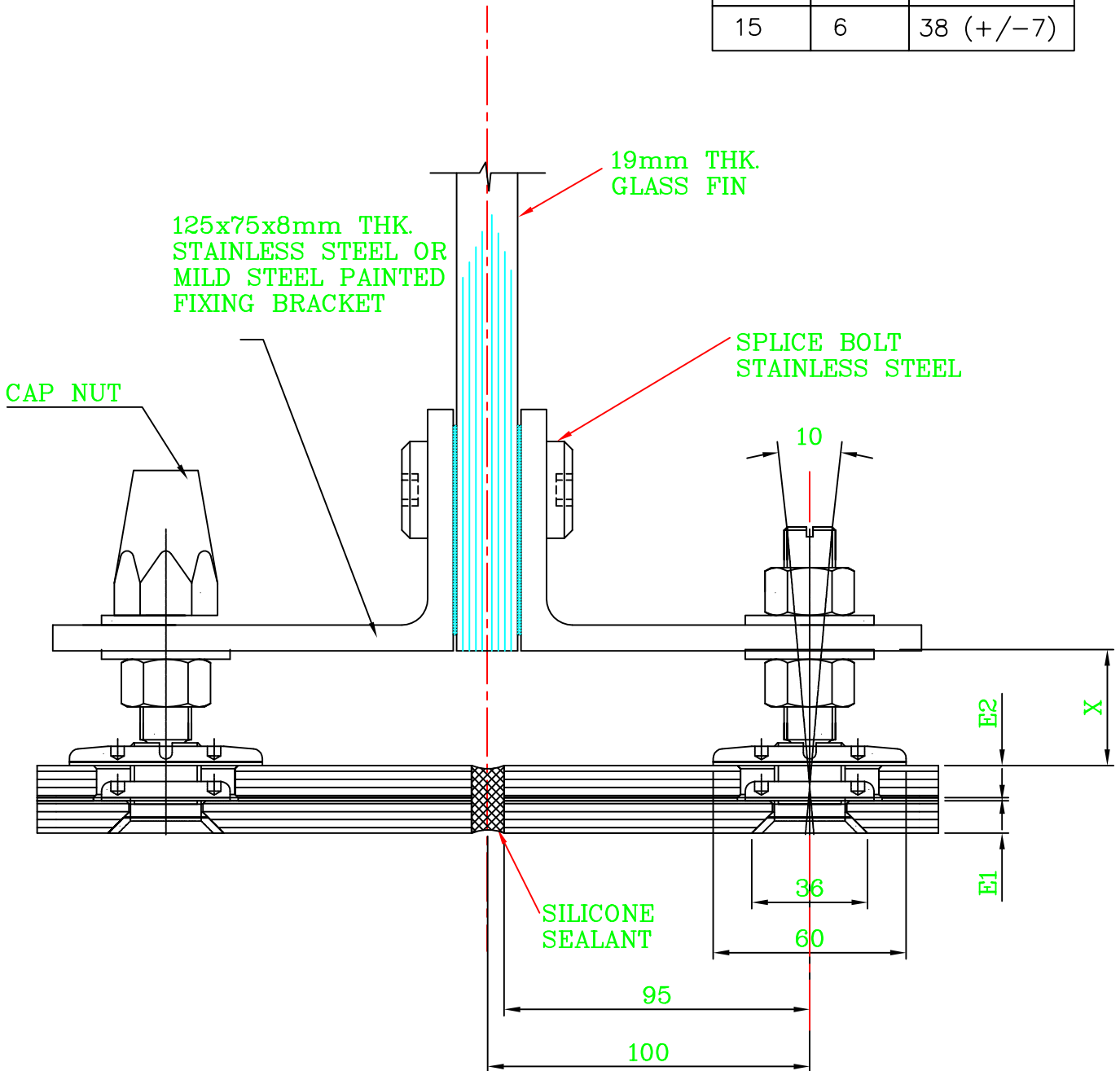


E1 mm	E2 mm	X
10	6	43 (+/-7)
10	8	41 (+/-7)
10	10	39 (+/-7)
12	6	41 (+/-7)
12	8	39 (+/-7)
15	6	38 (+/-7)



SINGLE LAMINATE – FLUSH BOLT

BOLR REF: MSS 23R – with standard M16 nut

BOLR REF: MSS 23R CAP– with M16 Cap nut

REV A: NEW SET OFF DIMS

TITLE: TYPICAL LAMINATED V.E.A. BOLT ASSEMBLY TO GLASS FIN

DWG. No.
MSS 22R – 02

REV.
A