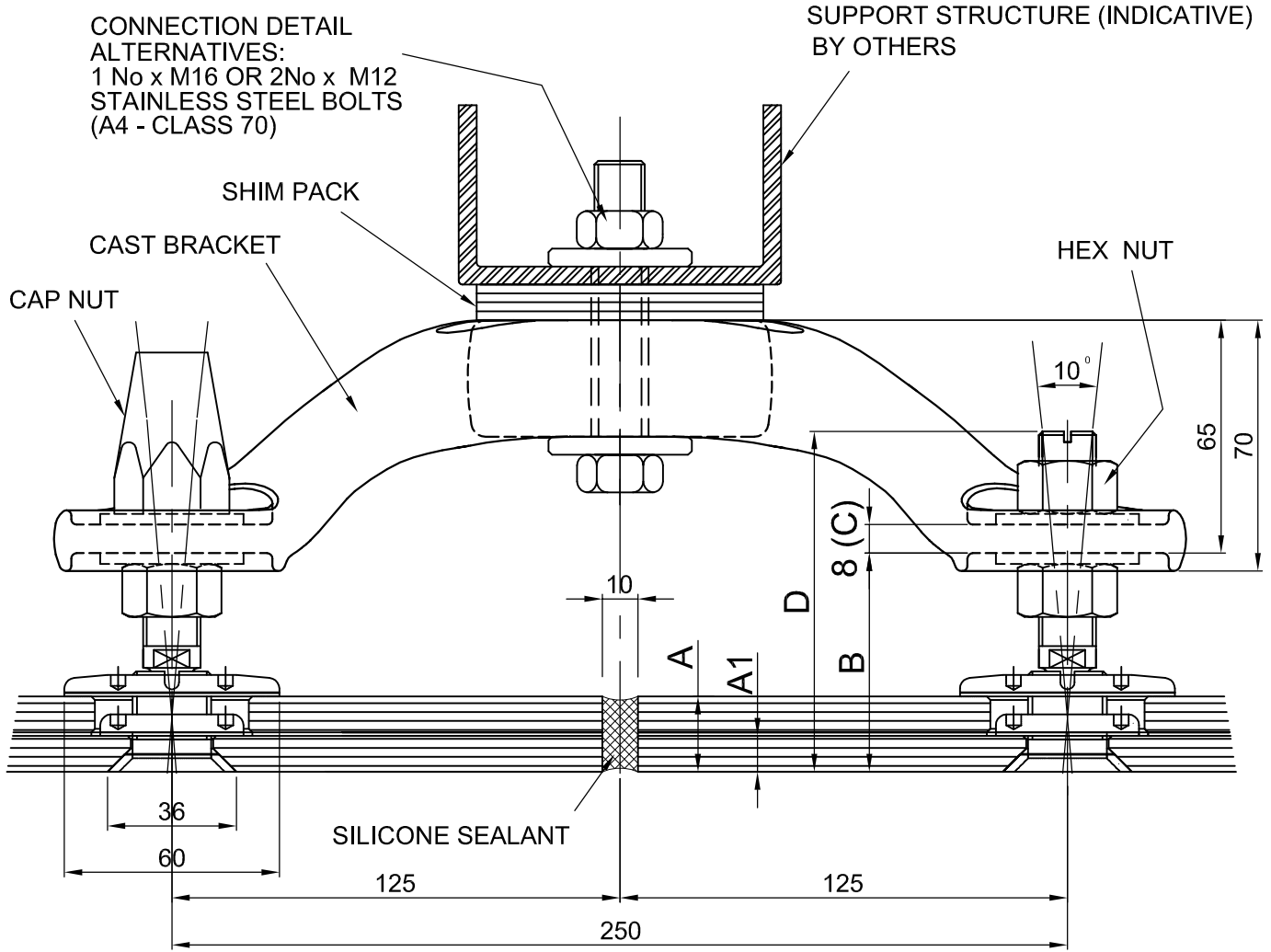


SL/36-22/R BOLT DIMENSIONS (mm)	
Thickness A maximum	22
Thickness A1 minimum	10
B minimum	53
B maximum (C = 10)	68
D	95

Dimension must be confirmed for particular application details
Alternative bolt (SL36-32/R) available for A1 = 12mm minimum

EVO 250 CAST BRACKET
(GRADE 316 STAINLESS STEEL)



BOLT REFERENCES:
HEX NUT ---- SL/36-22/R
CAP NUT ---- SL/36-22/R-CAP

TITLE
TYPICAL LAMINATED SPIDER BOLT ASSEMBLY
EVO 250 BRACKET WITH SL/36-22/R BOLT

DRG No
MSS 22R - 01

REV
A