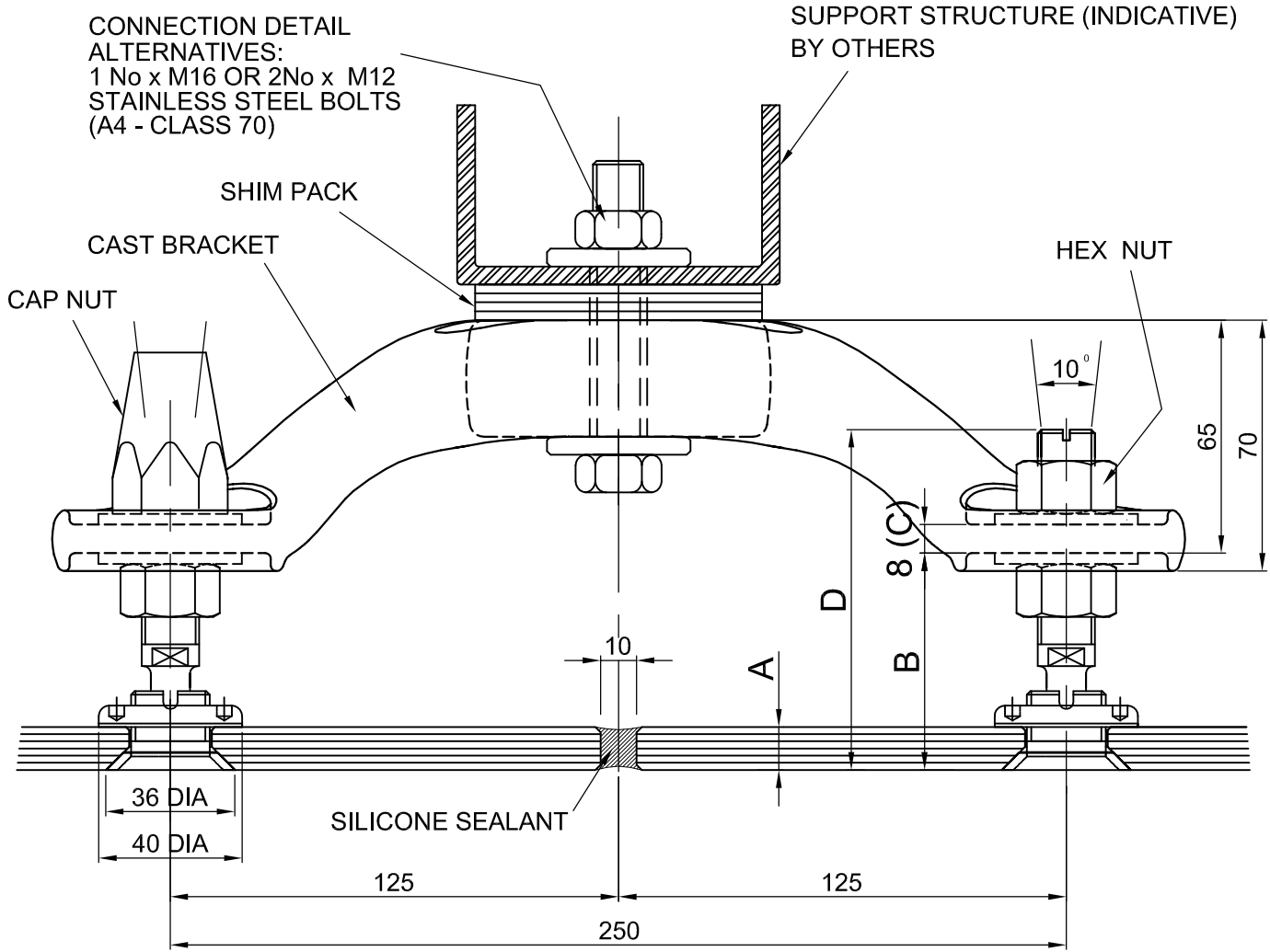


SM/36-16/R BOLT DIMENSIONS (mm)	
Thickness A minimum	10
Thickness A maximum	16
B minimum	53
B maximum (C = 10)	68
D	95

EVO 250 CAST BRACKET
(GRADE 316 STAINLESS STEEL)



BOLT REFERENCES:
 HEX NUT ---- SM/36-16/R
 CAP NUT ---- SM/36-16/R-CAP

TITLE
TYPICAL MONOLITHIC SPIDER BOLT ASSEMBLY
EVO 250 BRACKET WITH SM/36-16/R BOLT

DRG No
 msm 15R - 01

REV
 A