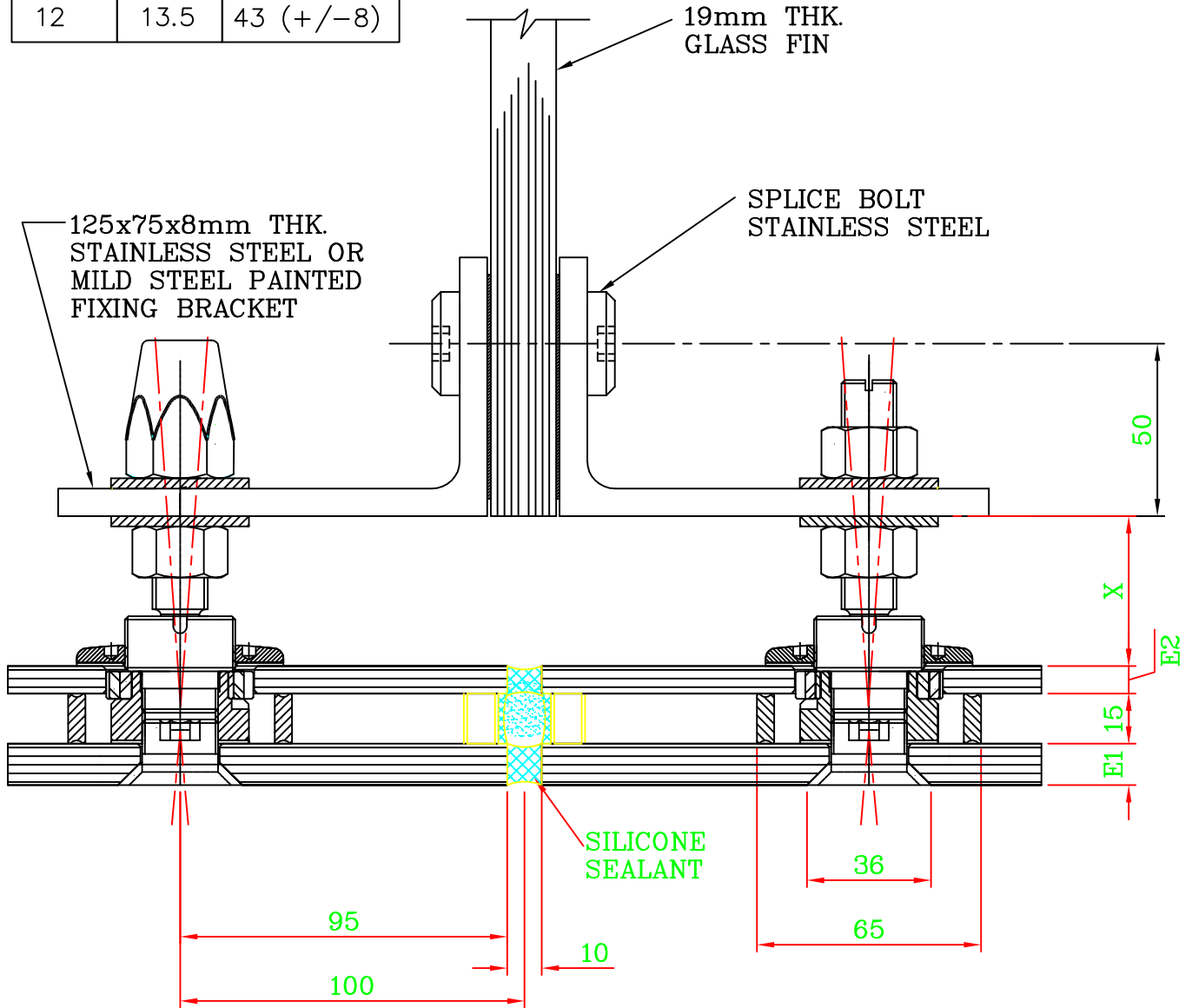


E1 mm	E2 mm	X
10	6	50 (+/-8)
10	8	48 (+/-8)
10	10	46 (+/-8)
10	13.5	43 (+/-8)
12	6	50 (+/-8)
12	8	48 (+/-8)
12	10	46 (+/-8)
12	13.5	43 (+/-8)



BOLT REF: MDV 40 R - WITH PLAIN NUT
 BOLT REF: MDV 40 R CAP - WITH CAP NUT

REV A: NEW BOLT REF & SET OFF DIMS

TITLE:

TYPICAL DOUBLE GLAZED V.E.A.
 MINI BOLT ASSEMBLY TO GLASS FIN

DWG. No.

MDV 1012R

REV.

A2