



# The Right Solution



**GILGEN**  
GILGEN DOOR SYSTEMS



# Contents

## About Gilgen Door Systems 04

## Automatic Doors 09

Automatic Doors Range	10
Automatic Sliding Doors	12
Standard Sliding Doors	14
PSF All-Glass Sliding Doors	16
PSW Insulated Sliding Doors	18
SLX-D Hermetic Sliding Doors	20
RC2/3 Burglar Resistant Sliding Doors	22
Escape Route Solutions	24
Automatic Curved Sliding Doors	26
Automatic Swing Doors	28
Automatic Folding Doors	30
Automatic Sliding Wall System	32

## Industrial Doors 35

Industrial Doors Range	36
Rolegard® High Security Shutters	38
Rolegard® Industrial & Commercial Shutters	40
Slideover - Sectional Doors	42
Firetex® Fire Shutters	44
Kwikroll® High Speed Flexible Doors	46
Industrial Folding Shutters	48
Defendor® Steel Hinged Personnel Doors	50

## Custom Made Doors 53

## Maintenance & Repair 57

# Create the right impression

Modern businesses today rely heavily on their door systems to provide efficient access, safety, security and convenience for every visitor and member of staff. Operating to ISO 9001, Gilgen Door Systems is a world leader in the design, manufacture, installation and maintenance of automatic pedestrian doors, industrial doors and folding wall systems.

With headquarters in Switzerland, Gilgen Door Systems has a worldwide presence, a workforce of more than 900 employees, seven subsidiaries and further representation in some 70 countries.

Since 1961, we have built an enviable reputation for high quality design, innovation and durability of our door operating systems. Across the globe we help businesses to create the right first impression every time someone walks through their door.

## Member of the **Nabtesco** Group

Being part of the Nabtesco group of Japan we enjoy the stability and strength of a highly successful global business with annual revenues exceeding £1 Billion.





## Experience

As a global leader in door automation systems, we have grown to understand the precise needs of customers across many different sectors. In the UK we have 50 years blue-chip client experience across many industries and have developed enduring partnerships throughout the supply chain. Our experience, emphasis on quality and customer focused approach enables us to provide the right advice whatever the challenge.

- ✓ Banking
- ✓ Education
- ✓ Defence/Security
- ✓ Hospitals/Healthcare
- ✓ Local Authority
- ✓ Manufacturing
- ✓ Offices
- ✓ Pharmaceutical
- ✓ Retail/Commercial
- ✓ Telecommunications/Utilities
- ✓ Transport/Infrastructure
- ✓ Leisure/Hospitality



## Setting New Standards

Since 1961 we have led the industry in setting new standards in door automation. High quality Swiss design and innovation combined with a meticulous eye for detail means our door systems offer unrivalled performance, durability, functionality and style. Through a comprehensive range of automatic and industrial doors, UK manufacturing and an exceptional after-sales operation we provide a total supply chain solution, enabling companies to streamline their supplier base and achieve greater efficiencies.

Our resources include:

- ✓ Experienced Account Managers
- ✓ In-House Design Team
- ✓ State-of-the-Art UK Manufacturing Centre
- ✓ Technical Advice Line
- ✓ Project Management
- ✓ National Team of Professional Engineers
- ✓ 24/7/365 National Service Response
- ✓ National Parts Logistics



## Passionate People

You will find that our people are passionate about providing you with the highest levels of customer satisfaction. Our dedicated account management, estimating and technical support teams provide the right advice, whilst national service response is available 24/7/365 ensuring you are never far away from a helping hand.

With Gilgen you are sure to receive personal attention to your needs backed by the highest quality standards across our products and services.





## Automatic Doors

It's important you make the right impression every time someone walks through your door and with a Gilgen automatic door you can help make that moment count.



## Automatic Doors Range

Since 1961, we have grown to become one of Europe's leading manufacturers of automatic pedestrian door systems. Gilgen Automatic Doors are world renowned for their stylish design, strong build quality and reliable operation even in the toughest of environments. And when combined with the highest standards of after sales care you are assured of the highest return on your investment.

Gilgen automatic doors are proven to provide an improved environment for customers through:

- ✓ **Accessibility** - Meeting Part M of Building Regulations and the requirements of the Equality Act
- ✓ **Safety** - Designed to meet BS EN 16005 safety regulations
- ✓ **Energy efficiency** - Reduced building energy loss / reduced utility costs
- ✓ **Pedestrian traffic flow** - Reduced bottlenecks
- ✓ **Improved hygiene** - Contact free operation reducing the spread of germs
- ✓ **Convenience** - A more comfortable environment for pedestrians
- ✓ **Appearance** - Creating the right impression for visitors and staff

### The Right Choice Every Time

We know that everyone's needs are different which is why we offer an extensive range of tailored systems that will suit any building design. Whether you need just a single door system or lots of different doors, our knowledgeable specialists are on hand to give you the right advice. Our automatic door range provides a solution to every challenge.

## Sliding Door Systems



The flexible, convenient and attractive choice for environments with a high volume of traffic.

Our sliding door systems are available in a wide range of configurations to suit the functional and design needs of any application. From single and bi-parting doors to telescopic doors, fire protected doors, thermally insulated doors, burglar resistant doors or solutions for escape routes, we have the answer.

## Curved Sliding Door Systems



The most aesthetically pleasing and impressive choice for design conscious environments.

The Gilgen SRM Curved Sliding Door is available in various configurations including concave or convex orientation or as a 180° or 360° porch system. Curved sliding doors are a great alternative to revolving doors. Not only do they look impressive, but they are more convenient and accessible too.

## Swing Door Systems



The versatile and economical choice for automating various types of internal or externally facing doors.

Our swing door operators can automate most types of doors up to 250kg and are suitable for powering new or existing door sets. Our innovative FD 20 swing door operator combines style, powerful performance, reliability and versatility through its unique Swiss design. FD 20 is also suitable for use with Fire Doors.

## Folding Door Systems



If you have limited space then automatic folding doors are the perfect solution.

Restricted door widths and narrow corridors, in places like convenience stores and hospitals, require an entrance that doesn't impact on space. The FFM folding door system provides all the convenience, efficiency and style you would associate with a Gilgen automatic door.

## Sliding Wall Systems



Gilgen automatic sliding wall systems provide a simple, convenient way to divide internal areas and maximise the use of available space. Thanks to the system's modular construction, wall leaves can be specified to perfectly match any interior design providing a touch of class whilst maximising room flexibility. With its automatic drive system any desired room capacity can be configured at the touch of a button.

## Revolving Doors



We supply manual and powered Revolving Door Systems for customers looking for an impressive entrance to their reception or lobby area. Contact us for details.



## Automatic Sliding Doors

Gilgen automatic sliding doors combine Swiss design, advanced functionality and high quality to add value to any building design. They provide easy, contact-free access for all types of building entrance from hotels and offices to hospitals and other public facilities. The modular design of our sliding door systems mean they can be tailored to suit any specific application so you can be confident of making the right impression every time someone walks through your door.

### Swiss Quality Standards

Everyone wants peace of mind that their chosen products will last and provide a good investment. Gilgen SLX Sliding Door Operators are manufactured to the highest standards with components chosen for their quality and durability. All systems are independently tested to ensure their performance and reliability.

### Technology in Action

Safety, security and efficiency are key priorities when choosing your doors and the market leading technology within Gilgen door systems ensures those needs are met. However you don't want to compromise on style. With low profile 100mm or 140mm door operators and unique flush mounted sensors, Gilgen automatic sliding doors integrate fully with the architectural design of your building.

The powerful and versatile Gilgen SLX drive system can automate doors up to 400kg and an integral Can-Bus communications system ensures easy installation, maximum safety and multi-function control.

## Safety and Security

Our range of motion sensors, activation pads, remote control and integral safety systems ensure Gilgen doors work reliably and safely. Independently tested to the highest standards by TÜV-Nord, the Gilgen SLX drives are CE marked and designed to meet the requirements of BS EN16005 safety standards.

Safety features include:

- ✓ Sensors integrated into the door header
- ✓ Power limitation and reversing systems to protect users
- ✓ Battery backup for activation in the event of power failure
- ✓ Optional break-out functions for use on escape routes
- ✓ Fire doors and burglar resistant doors providing additional protection

## Extensive Range

With an extensive range of configurations including bespoke solutions we can meet practically any challenge. From single and bi-parting door leaves, two and four leave telescopic, angled, all glass and thermally insulated doors we have the solution. Door profiles are available in a range of colours and finishes to match your needs.

The Gilgen SLX door operator is compatible with practically any make of sliding door system enabling easy installation to new or existing profiles. Our optional under floor drive system is also available for environments where aesthetically pleasing design is of high importance.

## Sliding Door Combinations

Gilgen Door Profiles	GILGEN SLIDING DOOR OPERATORS		
	SLX-M	SLX	
		Design (100mm)	Technology (140mm)
PSX (PSXP*) Slimline	*	•	•
PSA Light (with Interlocking)	•	•	•
Telescopic Doors	•		•
PSF All-Glass/Design	•		
RC2/3 Burglar Resistant	•		
PSW Insulated (Energy Saving)			•
Escape Route - Breakout		•	
EI30 Fire Resistant	•		•
Doors by Others	•	•	•





## Standard Sliding Doors

### The versatile choice for entrances with high footfall

Our classic sliding door packages with state-of-the-art drives, elegant door profiles and intelligent control systems provide you with the perfect solution for busy areas. We combine convenience, hygiene and safety with an attractive design to ensure you make the right first impression.

However safety is our top priority. This is why every system is strictly tested to DIN18650 and BS EN16005 safety standards. Speed, power, sensitivity and reversing systems all trigger at the slightest resistance. The modular design of Gilgen systems and our use of quality materials ensure we install reliable doors which last.

### Innovative Drive System

The Gilgen SLX sliding door drive system incorporates innovative design, high levels of functionality and quality parts. A standard locking system is built into the drive which includes a full range of safety features. The drive is easily installed to a wide range of single or bi-parting sliding doors and the stylishly designed sensor system is built into the header profile.

### Elegant Strong Profiles

#### Profile System PSX / PSXP Slimline

If you need doors that can easily cope with high levels of pedestrian traffic and still look good, the Gilgen PSX / PSXP door profile is the perfect choice. The slimline 40mm profiles are elegant yet extremely robust, providing an attractive and long lasting solution. Available with double glazing, the profiles are proven to perform well even in the toughest applications.

## Telescopic Doors

When you are looking to maximise the clear walk through width of your entrance two and four leaf Gilgen telescopic sliding doors are a great choice. Achieving a wider opening than standard bi-parting doors they are ideal for areas with high volumes of pedestrian traffic, such as supermarkets, railway stations and airports.

Gilgen telescopic doors open smoothly and quickly to allow for a steady flow of traffic. Additionally, the design helps to provide protection from draughts and conserve energy.

## Safety Monitoring

Gilgen automatic doors feature the latest safety systems. Our Combi-Scan sensors incorporate active infrared technology to monitor oncoming traffic and potential hazards close to the door. Gilgen Side-Scan helps improve safety around the side of doors by scanning for any potential danger and automatically reducing door operating speed in the event of a risk.

## Control Elements

Your Gilgen Doors can be managed through a range of optional control modules to suit the building's needs. The D-Bedix program control unit enables you to manually switch between different operating modes. Other activation options include contact pads, contact-free pads, PIN access, key fob, remote control and integration with building access control systems.



## Wide Range of Options

Did you know a Gilgen automatic door can be tailored to your needs? You can choose from a wide range of possible configurations including:

- ✓ Single and bi-parting
- ✓ Emergency exit function
- ✓ Glazed overhead panels
- ✓ Additional safety measures appropriate to the application
- ✓ Door lintel or wall installation
- ✓ Flush bottom rail or fixed point guide
- ✓ A range of glazing, infill and surface finishes to compliment your building's appearance and energy performance

## Locking Solutions

To enhance security a range of locking solutions is available. In addition to the standard lock built into the drive mechanism and standard hook type door lock, Gilgen Fluveri multi-point locking can be installed into the door leaf of both manual and automatically operated doors. An additional floor lock can also be fitted if required.





## PSF All-Glass Sliding Doors

**The transparent door system for design conscious environments.**

In many buildings, aesthetic design and effective use of available space are just as important considerations as functionality. With an all-glass / transparent appearance our PSF system provides a clean, modern finish to blend in with contemporary designs.

For interior areas, such as office partitions, receptions, hospitality suites and multi-retail outlets, PSF provides a finish which helps create a truly inspirational environment.

### **The Perfect Choice for Contemporary Interiors**

An architect's dream, the Gilgen PSF automatic door combined with SLX-M drive unit is the ultimate in 21st century design and convenience. It provides a seamless full-glass structure that combines elegantly with contemporary interiors. Its stylish, transparent full-glass appearance and concealed drive system can be tailored to create the right look for any room.

### **Versatile and Modular**

The elegant all-glass appearance of PSF doors ensures a high class finish and with our innovative fixing system (no drilling required for ESG configurations), it can be easily installed in a wide variety of environments. The latest technology integrated into the drive system enables adjustable application based performance.

## Safety and Control

The PSF door profile is combined with our powerful Gilgen SLX-M sliding door drive unit. A sophisticated sensor system is built into the header profile where the drive unit is hidden for a seamless finish.

The system is fully tested, conforming to DIN 18650 and designed to provide many years of reliable service. This improved appearance, however, doesn't diminish safety as integral systems protect users and ensure full compliance with BS EN 16005 safety standards. A locking system is also built into the drive mechanism.

## Possible Configurations

With an extensive choice of configurations and finishes we can build a system that is designed exactly as you need it. Configurations available include:

- ✓ Single and bi-parting doors
- ✓ Wall or door lintel installation
- ✓ Translucent door seals
- ✓ Emergency exit function
- ✓ Fixed point guide
- ✓ Floor locking system
- ✓ Side panels



## Glazing and Surface Finishing

There is a choice of surface finishes for the aluminium profiles including anodised (coloured or colourless), a choice of RAL colours or Polyester Powder Coating (PPC).

Glazing options include safety glass ESG 10/12 mm or VSG-TVG 10/12 mm.





## PSW Insulated Sliding Doors

### The automatic entry system with added energy-efficiency

The Gilgen PSW 'Green-Wings' automatic sliding door system consists of a state-of-the-art door automation drive, thermally sealed door profiles and insulated glazing that helps to significantly reduce building heat loss. PSW is ideal for externally facing doors in a number of applications. The system helps reduce utility bills, provides a comfortable environment for users and contributes to the achievement of Bream\* sustainability standards.

### Key Advantages

- ✓ System U-values as low as 1.5
- ✓ Reduces building energy loss
- ✓ Improves sound insulation
- ✓ Stylish appearance
- ✓ Powerful drive system
- ✓ Independently tested for energy efficiency, wind resistance and air permeability



\*The world's leading design and assessment method for sustainable buildings

## The Energy-Saving Door with Style

The Gilgen PSW door system acts like and looks like one of our standard automatic doors in normal daily operation. Its door profiles and header profile are stylish and suitable for a wide range of building facades, whilst the sensor system is built into the header profile so it doesn't detract from the door's appearance.

PSW is tested for protection against driving rain and highly wind resistant making it suitable for exposed building entrances. Additionally PSW doors provide acoustic attenuation of only 30dB, helping to reduce the impact of busy roads and thoroughfares. A special runner surface and rubber damping also helps enable quiet operation.

The system incorporates the Gilgen SLX door drive unit which is of modular design and provides extensive functionality. It is powerful enough to operate even heavyweight insulated doors with speed and efficiency.

## How Ecological is it?

The Gilgen PSW energy saving door has been thoroughly tested and certified by ift Rosenheim and TÜV Nord to provide class leading U-values, air permeability, wind and rain resistance. It is designed to provide reliable long term operation even in the toughest of environments.

<b>U-values:</b>	1.5 to 1.9 W/(m <sup>2</sup> K) Double glazing to 1.0 and Triple glazing to 0.6
<b>Air permeability:</b>	EN12207 (EN1026) Class 2 (<27m <sup>3</sup> /hm <sup>2</sup> at 100Pa)
<b>Resistance to driving rain:</b>	EN 12208 (EN1027) Class 5A (200Pa, 30min, 2-wing)
<b>Wind-load stress:</b>	EN12210 (EN12211) Class B1 (400Pa, max. 1000Pa, 2-wing)

## Tailored to your Needs

The PSW Green-Wings system is available with single or bi-parting door leaves and comes with a standard locking system built into the drive mechanism. It can be specified with insulated glass from 24mm to 50mm in thickness and the aluminium profiles can be anodised or finished to any RAL colour. PSW is ideal for external use and flexible enough to be fixed to the door lintel or wall. Additional options include:

- ✓ Side panel
- ✓ Glazed overhead panel
- ✓ Pocket screen
- ✓ Fixed point bottom guide rail
- ✓ Fluveri multi-point locking system





## SLX-D Hermetic Sliding Door System

### Hygiene and sound insulation for sensitive working areas

Hospitals, clean rooms, pharmaceutical production areas and other sensitive environments require high levels of hygiene and environmental conditioning. Our patented SLX-D hermetic sliding door system automatically seals rooms, preventing the unwanted exchange of air, foreign particles and other impurities.

The system features a patented pivoting door mechanism which maintains the required pressure to seal the door. Powered opening and closing helps ensure hygienic, barrier free access whilst in strict observation of appropriate operational procedures. The improved hygiene and acoustic installation delivered by the SLX-D makes it ideal for sensitive applications.

### Key Advantages

- ✓ Patented pivoting door mechanism
- ✓ Designed for sensitive environments
- ✓ High levels of hygiene
- ✓ High levels of acoustic attenuation
- ✓ Optional lead doors up to 3mm thickness
- ✓ Optional full glass door leaves
- ✓ Air permeability rated to Class 2
- ✓ Sound insulation rated to 32dB

## How does the patented technology work?

When the door is closing, the pivoting mechanism in the drive unit causes the door leaf to be lowered and pressed against the door frame. This lowering movement together with gaskets provide the door with a hermetic seal. Our SLX-D drive mechanism, door leaf surface and special seals are designed to resist all regular cleaning products and the aluminium drive cover is rounded so that any residue runs off. All of these features help create a hygienic environment safe from impurities that is ideal for sensitive areas.

## Versatile Usage

There are a number of door configurations and options available to tailor the system to the needs of different applications including operating rooms, laboratories, manufacturing, pharmaceutical, food production and music rooms.

SLX-D is manufactured to the highest quality standards and TÜV-tested to DIN 18650-1/2. The system provides a high level of hygiene and sound insulation. Air permeability conforms to EN 12207, class 2 and sound insulation to 32dB.

## Control and Safety

A choice of door activation modules puts you in full control of how the door is operated. Combi-Scan and Side-Scan motion detectors integrated with the drive system detect pedestrians and objects in close proximity to the door to prevent accidental contact. Control options include:

- ✓ **Opening elements** - Large optical push buttons and/or movement sensors integrated with the drive ensure smooth, hands-free access.
- ✓ **Controlled access** - Push buttons, elbow-activated switches or other control modules can be specified to ensure coordinated opening.
- ✓ **Door-opening in the event of a power failure** – A manual lever allows you to open the door manually in the event of a power failure.





## RC2/3 Burglar Resistant Sliding Doors

Commercial outlets and buildings with a high risk of break-in, such as cash handling centres, jewellers, chemists and high value retailers, need an entrance which is both fully secure and attractive in appearance. Thanks to their slim aluminium profiles and unique reinforced design, Gilgen RC2/3 automatic doors offer a solution that is both secure and stylish.

### Independently tested for extra peace of mind

Our burglar resistant door has passed the most stringent independent testing and is fully compliant with new European break-in prevention standard EN 1627 – EN1630. The RC2 or RC3 burglar resistant door incorporates a multi-point locking mechanism compliant to the following standards:

- ✓ EN 1628 (static tests)
- ✓ EN 1630 (manual burglar test)
- ✓ EN1629 (dynamic tests)
- ✓ DIN 18650 / EN16005

Break in prevention includes reinforced safety glass and flush bottom guide rails. The specification of the RC2 /3 is specifically designed to target harden buildings, helping reduce potential losses and lower insurance premiums.



## Key Advantages

- ✓ Meets EN1627-EN1630 Standards
- ✓ Identical appearance to standard automatic door
- ✓ Reinforced to reduce threat of break-in
- ✓ Full range of single and bi-parting configurations
- ✓ State-of-the-art drive system

## Added Security, No Loss of Looks

Whilst you need to be secure, you won't want to compromise on looks. This design is identical in appearance to our standard (SLX-M) door with PSXP profile system. However the vertically interlocking configuration guarantees robustness as well as protection from draughts.

## Glazing and Surface Finishes

Insulated safety glass P5A is featured within the RC3 model and P4A for RC2, both of which are tested to EN 356 standards. A range of surface finishes is available for the aluminium profiles including; anodised (coloured or colourless), RAL colours, and polyester powder coating (PPC).

## Safety

Our SLX-M RC door drive system incorporates a powerful, almost silent drive. The system components are connected via a Can-Bus communications system which, as well as ensuring the door works smoothly and reliably, provides constant communication with the processor for complete safety.

## Possible Configurations

The RC2/3 can be configured to suit a wide range of facades up to 3metres in width. Options include:

- ✓ Single and bi-parting sliding doors
- ✓ Configuration for use on escape routes
- ✓ With side panels (bi-parting installations)
- ✓ With glazed overhead panel (bi-parting installations)
- ✓ With pocket screen
- ✓ FLUVERI multi-point locking mechanism, automatic or manual
- ✓ Can be attached to the door lintel or wall
- ✓ Self-supporting, with pillar reinforcement





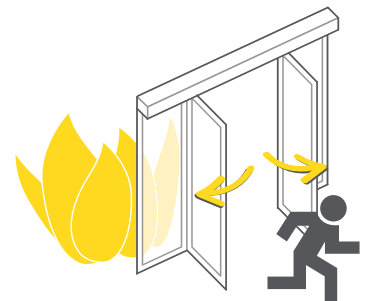
## Escape Route Solutions

Gilgen automatic doors can be specified with additional functionality to protect buildings and people in the event of an accident or fire. Incorporating all the convenience and great looks of our standard automatic doors, our fire protected and emergency break-out doors are ideally suited to escape routes.

Manufactured and tested to the highest quality standards these doors comply with EU legislation and help you create a safer environment for visitors and staff.

### Emergency Fail Safe

The integral safety features and battery powered backup ensure that the system meets the requirements of EN16005 safety standards. In the event of power failure, systems will continue to operate for a safe period to ensure effective escape.



### Key Advantages

- ✓ Meets EU standards for automatic doors on escape routes
- ✓ Assists escape and enables access for emergency services in the event of an incident
- ✓ 3 in 1 functionality – Access, fire protection and escape
- ✓ Access for bulky items year round
- ✓ Uncompromised design

## Multi-Functional Break-Out Door System - SLX-BO/BI

On a day-to-day basis the SLX break-out door opens reliably to provide trouble free access. However, in the event of an emergency, the system can also be opened manually to allow people to escape. The door leaves are hinged so they can be swivelled outwards which provides a wide escape route and access point for emergency services.

The break-out system also provides the advantage of a wide access point enabling easy transport of vehicles or other bulky items. This is ideal in summer months and for corporate events, at garages, shopping centres and other facilities.

## Automatic Fire-Safety Door - SLX (M/-/V)-B

You get three functions in one with our automatic fire-safety door. It's a pedestrian access point, a flame-resistant fire door and a reliable emergency escape route.

Tested and approved to exceed European Standard EN1363-1 and EN1634-1, Gilgen bi-parting fire safety doors resist flames and provide a thermal shield for more than 30 minutes in compliance with Part B of Building Regulations. They also reduce the spread of smoke to help protect pedestrians and minimise smoke damage.

Our fire doors divide rooms into fire breaks to delay the spread of fire. Doors are available as standard (SLX-SB) or with break out facility (SLX-SBF). Additional options include heavy duty operators (SLX-V-SB) and heavy duty breakout (SLX-V-SBF).





## SRM Curved Sliding Doors

### A creative alternative to a revolving door

The Gilgen SRM automatic curved sliding door provides an impressive and elegant entrance for stylish buildings. Due to its shape, a wide entrance can be created even where space is limited, helping traffic flow, and it looks especially impressive when installed to curved facades.

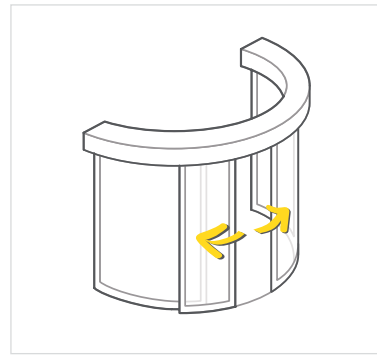
With the Gilgen SRM there are many benefits over a revolving door. With a reduced risk of accidents from pedestrian contact or bags trapped in the door, SRM is safer and more accessible. In addition, unlike a revolving door, there is no requirement for a side door for disabled access which can save considerable cost.

### Key Advantages

- ✓ Highly impressive design
- ✓ More accessible than a revolving door
- ✓ Convex and concave shapes for a perfect fit
- ✓ 180° or 360° self supporting porch models
- ✓ Range of materials / finishes
- ✓ Maximises entrance width

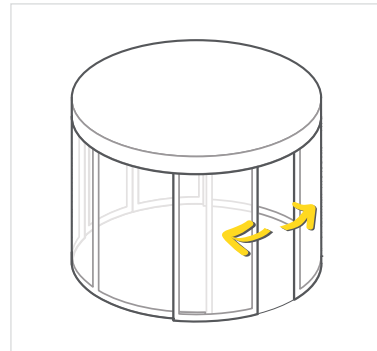
## Freedom of Design

Curved doors are available in any convex or concave shape to guarantee a perfect fit into your existing architecture. Optional 180° and 360° self-supporting porch configurations allow the Gilgen SRM to be matched to different building facades, including refurbishments. You can even choose from a range of materials, colours, glazing and anodised finishes to ensure the entrance system suits your building design perfectly.



## Safety and Quality

SRM is designed and tested to meet the highest possible safety standards, including BS EN16005. The sliding automatic doors open quickly and efficiently making them safe and easy for your visitors to use. Safety systems are integrated into the doors as standard.



## You are in Control

Make sure you are in control of the door system with our full range of door activation modules including motion sensors, push buttons and security pads. Control modules also enable you to adjust the operation of the door to suit the environment including day and night settings. An optional door interlock feature on our 360° porch model enables improved control of pedestrian flow and reduced building heat loss.





## FD 20 Swing Door Drive

### When power and versatility swing into action

The Gilgen FD 20 is the most powerful, versatile and stylish swing door operator we have ever made and provides world-class standards of performance and reliability.

It's designed for the automation of new or existing doors up to 250kg in weight and can also automate external doors facing wind loads of up to 50mph. Due to its strength and Swiss quality the FD 20 is ideally suited to intensive operations such as hospitals, schools and transport hubs.

Quality components extend the service life of the FD 20 to ensure maximum uptime, even in the toughest of environments. This makes it a great long term investment.

### Key Advantages

- ✓ Low noise electro-mechanical drive
- ✓ Automates doors up to 250kg
- ✓ Also suited to externally facing doors
- ✓ Easy commissioning through integrated display
- ✓ High quality drive cover
- ✓ Standard or sliding rod mechanism

## Powerful and Versatile

The FD 20 features a powerful new electro-mechanical drive which is extremely quiet and smooth in operation. With 50% more power than its predecessor, the FD 20 ensures easy, contactless access for many types of doors including heavy-weight doors up to 250kg.

New or existing internal or externally facing doors up to 1600mm in width (EN7) and even fire rated doors can be automated with ease. And there is an extensive range of configurations available for single and bi-parting doors, emergency exit, fire safety operation and bespoke solutions.

## Quality and Style

The FD 20 drive cover is made of aluminium or chromium steel and provides a high quality finish. A range of lintel and door leaf installations are available featuring a pushing-rod or stylish sliding rod system.



## Control Options

Illuminated program buttons are integrated into the side cover of the operator housing for intuitive operation. Adjustable functions include push-and-go operation, safety monitoring and wind-load regulation for external doors. Additional control options include:

- ✓ Radar, Motion sensor
- ✓ Contactless detection sensor
- ✓ Foot or hand operated switch
- ✓ Remote control (F9000 module)



## Safety Assured

Safety monitoring is fully integrated as standard and the FD 20 is tested to BS EN16005 and DIN 18650. A user-friendly joystick and integrated LCD display inside the housing enable operating parameters such as opening and closing speed, safety monitoring and reinforced closure to be adjusted to application needs. Optional safety sensors with 'reverse' and 'stop' functionality provide additional protection where required.

## Fire Doors

Uniquely the Gilgen FD 20 with safety sensors is third party laboratory tested and certified for use with the following fire doors, meeting the requirements of BS EN1634-1:2014:

- ✓ EI120 (120 minute fire rating) Timber door, Timber frame with Intumescent protection
- ✓ EI60 (60 minute fire rating) Metal door, Metal frame
- ✓ EI60 (60 minute fire rating) Timber door, Metal frame with Intumescent protection





## FFM Automatic Folding Doors

### Easy access where space is at a premium

Where corridors are narrow and door widths restricted it is even more important to provide safe, easy and convenient access through an automatic door. The Gilgen FFM folding door system is designed to provide the perfect solution where easy access is required within limited space environments.

Easily installed to most door-ways, even in existing buildings, Gilgen FFM maximises the possible clearance width when the door leaves are open. This makes the system ideal for many different applications including hospitals, schools, care homes, hotels, restaurants and convenience stores. And with quality at the heart of every component, FFM will provide safe, easy, hygienic and reliable access over an extended lifetime.

### Key Advantages

- ✓ Versatile system suited to intensive applications
- ✓ Clear opening width up to 1600mm
- ✓ Optional insulated glass or safety glass
- ✓ Choice of locking mechanisms
- ✓ Wide range of control modules
- ✓ Bespoke finishes and glass treatments

## No Compromise on Quality

Quality is a top priority with all Gilgen automatic doors and our folding door system is no exception. Combining state-of-the-art Swiss components and innovative technology Gilgen FFM is not only convenient and easy to use but, most importantly, reliable. You can see our folding doors working reliably in many NHS hospitals, day-centres and other intensive environments today. Being versatile and easy to install the Gilgen FFM system provides a cost effective solution for many applications.

## Quick to Install, Safe to Use

You can be sure your staff and visitors are safe with the Gilgen FFM folding door. Our system is designed and installed to meet all the requirements of BS EN 16005 safety-in-use guidelines. Motion detectors will identify oncoming pedestrians and open the doors quickly and efficiently. Power limitation, speed control and reversing systems trigger at the slightest resistance ensuring complete protection and total reassurance for pedestrians.

## Tailored to User Requirements

A wide choice of door sizes, surface finishes and glass treatments are available to ensure the door can be configured around any specific need. The architectural design of your building is only enhanced through the inclusion of the Gilgen FFM automatic folding door.

## You are in Control

With a range of optional functions, control modules and safety elements you can ensure your door works exactly as you want it to. Options include infrared motion scanners, push-buttons, contactless pads, pin code access and security fobs. You will be in complete control of the way the door works. The Gilgen Bedis control unit also allows you to manually switch between day and night settings.





## STW Automatic Sliding Wall System

Building designers and occupiers today are increasingly looking to maximise the use of available floor space. Conference rooms, show rooms, hospitality suites, classrooms, care homes and other facilities often require greater flexibility for shared use of available space and resources.

The Gilgen STW automatic sliding wall system provides a simple, convenient way to divide indoor areas. The transparency of the sliding wall gives internal space a touch of class whilst maximising room flexibility. With its automatic drive system, Gilgen STW allows the desired room capacity to be configured with ease at the touch of a button.

### Bespoke Design

Thanks to its modular construction the wall leaves can be specified to perfectly suit the room design. Angular, curved or straight sliding wall configurations with a wide range of stacking area methods and concealed automation drives ensure total integration with any architectural concept.

A wide range of leaf materials including glass, glass panel, wood or metal means the system can be specified in finite detail. In addition, many different types of surface treatments and colour shades are available to guarantee a harmonious finish and integration into the surrounding architecture. Additional control options include:

- ✓ Angular
- ✓ Curved
- ✓ Straight
- ✓ With integrated Sliding Door
- ✓ With integrated Swing Door

## Concealed Technology

Each wall leaf is equipped with two built-in high-precision carriages, a power pick-up unit and a compact drive module allowing for efficient powered opening and closing without compromising on the design.

The glass is clamped into the aluminium profiles permitting faster, more flexible installation, increased reliability and greater flexibility with respect to leaf dimensions and their weights.

## Optimum Safety

User safety is maximised thanks to monitored operating sequences and an obstacle detection system which has been independently tested through TÜV Nord. The sliding wall mechanism can also be operated manually without difficulty in the event of a power failure.

## Intruder Resistance

To reduce the risk of break-in a reinforced swing system is available, complete with safety glass, full-length bottom guide rail and automatic locking system. The latching of the door leaves prevents unauthorised access, whilst retaining an attractive appearance.

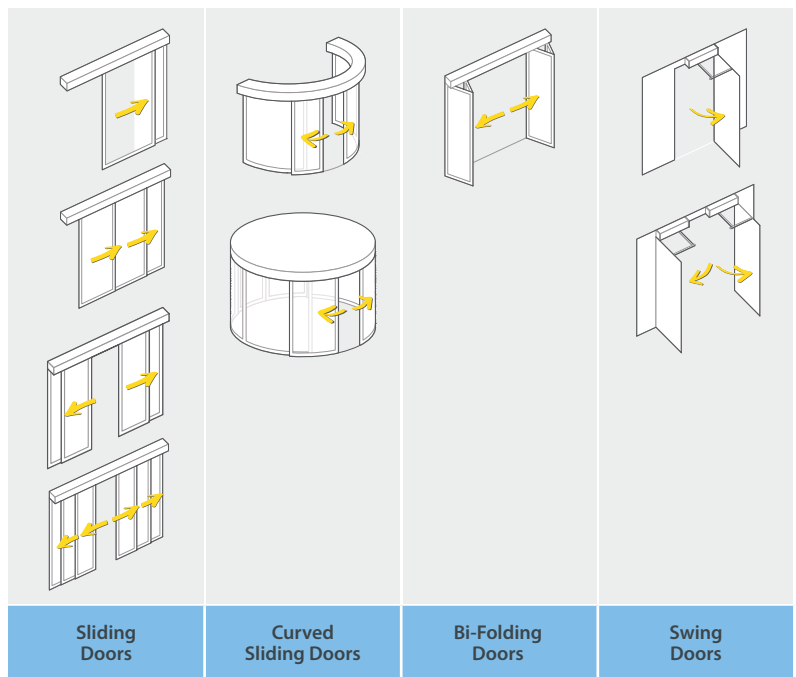
Our intruder resistant WK2 option is ideal for separating open areas in places where security is a high priority such as banks and building societies.

Tested to European standards, it has successfully fulfilled the requirements of static and dynamic stress loads, along with the break-in tests specified for the WK2 – Class 2 rating. The automatic locking mechanism can be connected, if desired, to the customer's own alarm system.



# The Right Pedestrian Access

- Ideal
- Good
- Suitable under certain conditions



## Optimum Pedestrian-Flows

User-Friendly, Barrier-Free Construction	●●●	●●●	●●	●●
High Frequency, Flexibility	●●●	●●●	●●	●●
Subsequent Automation				●●●

## Design and Creativity

Style, Presence	●●	●●●	●	●
Transparent Configuration	●●●	●●	●●	●●

## Functions and Added Value

Fire Rated	●●●			●●●
Emergency Exit/Rescue Access	●●●	●●	●●	●●●
Stops/Reduces Draughts	●●	●●	●	●

## Access, Safety and Security

Property Protection, Locking	●●●	●●●	●●	●●●
------------------------------	-----	-----	----	-----

## Installation Dimensions

Access Width	800 - 4000mm	1000 - 2600mm	800 - 1600mm	700 - 2800mm
Weight of Door Leaf	max. 2 x 120kg 1 x 150kg 4 x 60kg	max. 2 x 120kg	2 x 70kg	250kg Depending on Door Leaf Size

This page provides a quick overview of the general suitability of different door types. Your Gilgen account manager will provide more specific advice based on a site survey.



Gilgen Door Systems UK Ltd.  
Securiparc House, Wimsey Way, Alfreton, Derbyshire DE55 4LS

Contact our New Doors Sales Department today:

T. +44 (0)800 316 6994

F. +44 (0)1773 526215

e. [info@gilgendoorsystems.co.uk](mailto:info@gilgendoorsystems.co.uk)

[www.gilgendoorsystems.co.uk](http://www.gilgendoorsystems.co.uk)



**GILGEN**  
GILGEN DOOR SYSTEMS

Member of the **Nabtesco** Group