

The Gerda® H System®

High performance security for restricted access



Providing a low maintenance, reliable means of protecting your areas of restricted access while meeting your fire safety requirements can be a major challenge.



Ensuring that you have cost effective, high performance security for areas of restricted access is what we do best.

Specifying the **correct type of security** for areas of restricted access is about assessing the risks in the built environment and providing a product that will meet your requirements. At Gerda®, we recognise that these needs can be challenging and we work with our customers to provide a **sustainable solution for the long term.**

Innovation and Design

Gerda is at the forefront of innovation, bringing together solutions to meet fire safety and security. We offer a holistic approach to property with products designed to improve the living or work area, while assisting with the management of communal areas.

Whole Life Costs

Our products offer reliability in the environment they are designed for. They offer true value for money both in initial investment and maintenance programmes.

Quality Assurance

Gerda is an ISO9001 accredited organisation. Our products carry third party accredited certification which means that we are audited by independent UKAS notification bodies, including BM Trada and the British Standards Institute.

Credibility

We work with leading authorities in fire safety and Fire & Rescue Services nationwide, as well as the police initiative Secured by Design, in order to ensure our products not only meet industry standards, but go above and beyond to ensure they are fit for purpose in the environments in which they function.

Sustainability

We strive to provide products and services that offer benefits to the environment through innovative product design and through our every day practice. We work together with customers to provide a holistic approach and our involvement, from local community events to apprenticeship developments in the locality, reflects our ethos for inclusion.

Training

Gerda offers both internal training, to ensure members of staff are up-to-date with the latest products and performance standards, as well as external training in the form of Fire Safety Seminars.

Installation Service

Correct installation is important in the context of fire safety legislation. We offer a high quality installation service for many of our products, from the H System® through to Service Room Doorsets.

Fire Safety Seminars

Held at the Gerda Conference Centre and Showroom in central London, the Fire Safety seminar are hosted by leading authorities in fire safety. The seminars span specific sector subjects from Fire Safety in High Rise Housing to Continuous Professional Development (CPD) presentations. The seminars include interactive demonstrations that highlight aspects of fire safety.

The Gerda® H System®

The Gerda® H System® offers the complete high performance solution for the securing of areas of restricted access.



DESIGN

Proven System

The H System® offers high performance and security with improved key control to the customer for restricted areas.



Key operation both sides for rooftop environments



For enclosed areas of restricted access ensuring means of escape



For cupboards and cabinets

Enabling immediate Fire & Rescue access in critical situations through the unique Gerda One Key® System for the Fire & Rescue Service¹.

For Gerda High Security Locking Systems

- Extensively tested with certified third party accreditations
- Awarded prestigious BSI Kitemark
- Achieving both EN12209:2003 and best categories in EN1303:2005 for attack resistance; durability and key related security



KM 524077 BS 3021



KM 524078 BS 9021



Police Preferred Specification



“a recognised focal point for the Fire and Rescue Service”

In the event of an incident there is no requirement for an individual to be present to hand over keys. If crews from the local fire station are not able to attend, crews from other stations within the same Fire & Rescue Service jurisdiction can still gain immediate access. A number of utility companies and services may also access the system².



Scan the QR code for the H System

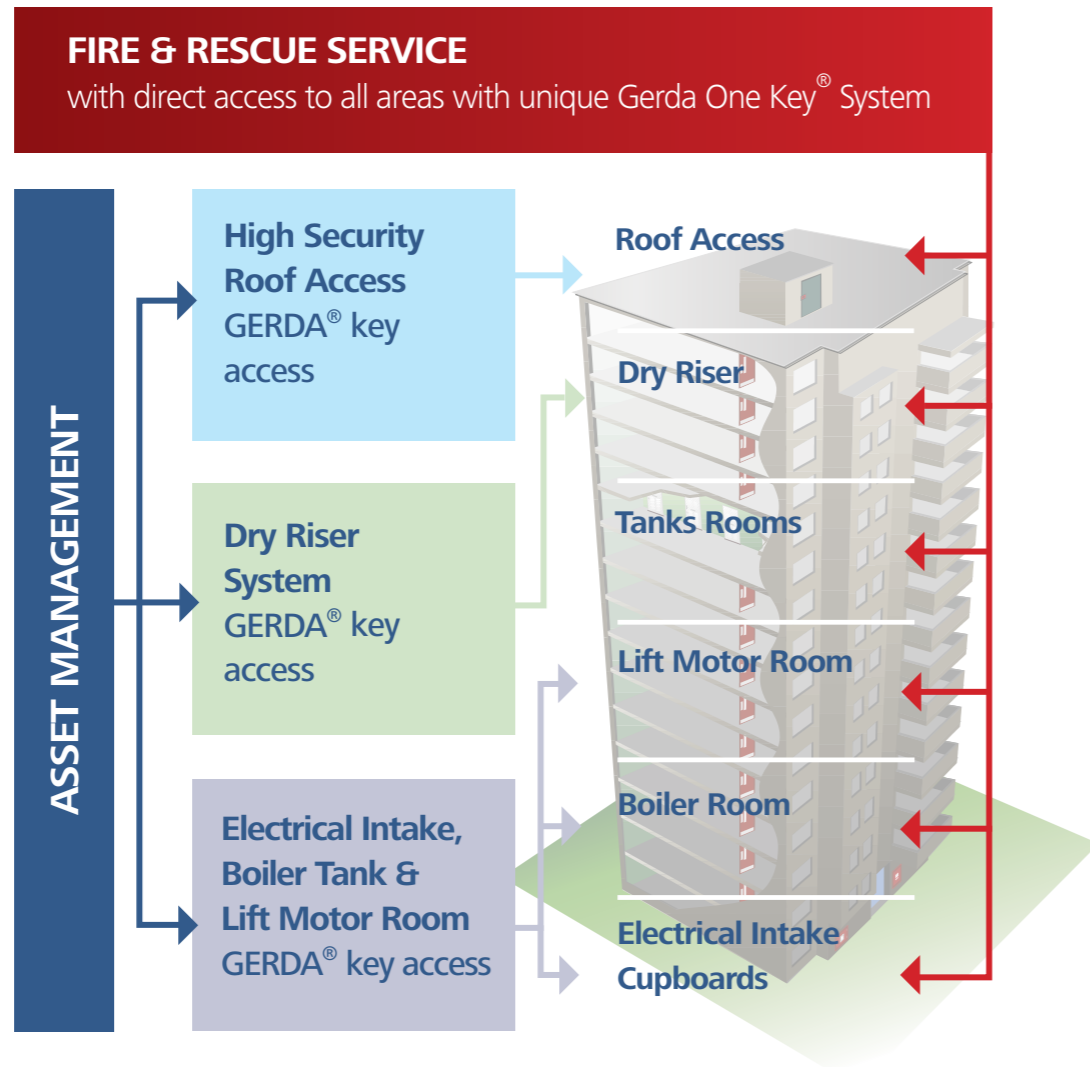
¹ The majority of Fire & Rescue Services in the UK carry the Gerda One Key® System. To check your fire service jurisdiction and if this applies to your Fire & Rescue Service, please contact Gerda.

² Contact Gerda® for further details.

Access Management

“the H System® offers flexibility in how an organisation can tailor its security requirements”

The diagram below is based on a high rise residential building where the asset management team restrict access to designated individuals for high priority areas, namely the roof area and the dry riser systems. For the electrical intake, boiler, water tank and lift motor rooms, they have a key management policy in place for contractors.



While the security of systems that restrict areas is important, the facility of enabling the Fire & Rescue Service to immediately access these areas is equally as important. Keeping areas clean and accessible ensures that an incident can be dealt with effectively. Additionally no damage is incurred to the locks and doors.



Scan the QR code to view how the H System® works in practice

FIRE SAFETY

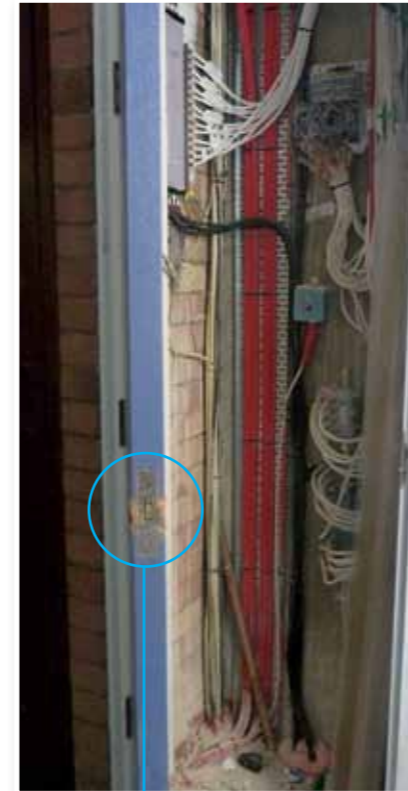
Danger of Unsecured Areas

Health & safety issues with unsecured restricted areas can be costly. If locks are breached or keys are freely available to be copied then this may present dangers such as:

- Arson
- Items thrown from roof tops owing to unauthorised access to the roof area
- Electrocution from unauthorised access to electrical intake cupboards and rooms
- Anti-social behaviour taking place in unsecured areas of restricted access
- Water tank contamination due to breach of security
- Lift closures due to vandalism of motor rooms.

Associated costs with the problems above include:

- Repair to buildings and relocation of dwellings or premises
- Increased electricity bills owing to unauthorised access to electricity supply
- Regular surveillance and lock replacements
- Water tank treatment
- Repair bills for vandalised machinery and equipment
- Health & safety and environmental penalties
- Social costs affecting the environment
- Increased insurance premiums.



This lock has been breached exposing the contents of an electrical intake room. This may pose a threat to children, a risk of electricity theft or a possible arson attack.

Anti-Vandalism

“With our electrical intake cupboards, we had problems of vandalism and existing locks were breached owing to keys being readily available. Under the Regulatory Reform (Fire Safety) Order, facilities that could be used by the Fire & Rescue Service must be kept in good working order.”

“A sustainable solution was needed. We undertook a security and fire safety upgrade programme, installing over 1,000 high security Gerda H System® locks. The levels of anti-social behaviour have substantially reduced and the service rooms now function effectively.”

London Borough of Camden



The electrical intake service rooms remain clean and functional upon inspection.

Testing

The H System® has been successfully tested in separate fire tests to BS476 part 22 1987 standard for 30 minutes and to BS EN1634-1, the standard European fire test for 60 minutes.

The H System® can be fitted to timber or steel doors. The fitting instructions detail a step-by-step guide on how to install the locks.

“successfully fire tested for 60 minutes to BS EN1634-1 standard”



Gerda® Service Room Doorsets

Gerda® Service Room Doorsets offer the option of fire-ratings to half an hour or one hour and smoke-rated if required, as well as non fire rated options.

The doorsets are factory fitted with the H System® and are tailored to requirements.

Options include:

- Electrical intake room doorsets
- Water tank room doorsets
- Boiler room doorsets
- Lift motor room doorsets
- Roof doorsets
- Dry riser cabinets.

For further information on the options available, please refer to the Gerda® FDS Service Room Doorset™ Range brochure.



KM 524079 BS 8621



KM 524077 BS 3621

SECURITY

Performance

The H System® is tested to the latest security standards:

- BS8621: 2007 - the latest standard for means of escape for enclosed areas of restricted access
- BS3621: 2007 - the latest standard for key operation both sides for rooftops to ensure safe working conditions for operators
- EN12209:2003 - the latest standard
- EN1303:2005 - achieving the highest grades in all levels for attack resistance, durability and key related security
- Anti bump testing (general vulnerability tests)
- Integral cylinder within the lock so the cylinder cannot be extracted or snapped.

“official UK police flagship initiative approval”

Certification

The H System® is a Kitemarked system. This third party accreditation ensures the quality of the product through audits. The H System® carries an exemplary record.

The H System® is also approved by Secured by Design, the official UK police flagship initiative for designing out crime.



Weather Performance

As well as meeting the performance standards required for security and for fire, the H System offers a weather resistant option.

“designed for the external environment”

Technical Features

“excellent engineered design”

- Solid steel, surface mounted rim lock in red with locking bars extending across lock body for additional strength
- Four thousand million key combinations
- Integral cylinder which cannot be extracted
- Anti-drill cylinder formed of several composites of metal HSS (hard soft system) patented
- Anti-glue facility
- Two anti-hacksaw locking bars each containing two hardened steel rollers



- Side locating hardened steel security pin
- Fixing screws and bolts as applicable
- Steel escutcheon plate in red with hardened steel bolts together with anti-drill fixings



“easily recognisable for the Fire & Rescue Service”

- The escutcheon plate is coded to assist in identification for the property manager
- The red escutcheon plate is easily recognisable for the Fire & Rescue Service to gain access using their own unique Gerda One Key® System



- The option of keeps for timber and steel doors.



Key Registered System

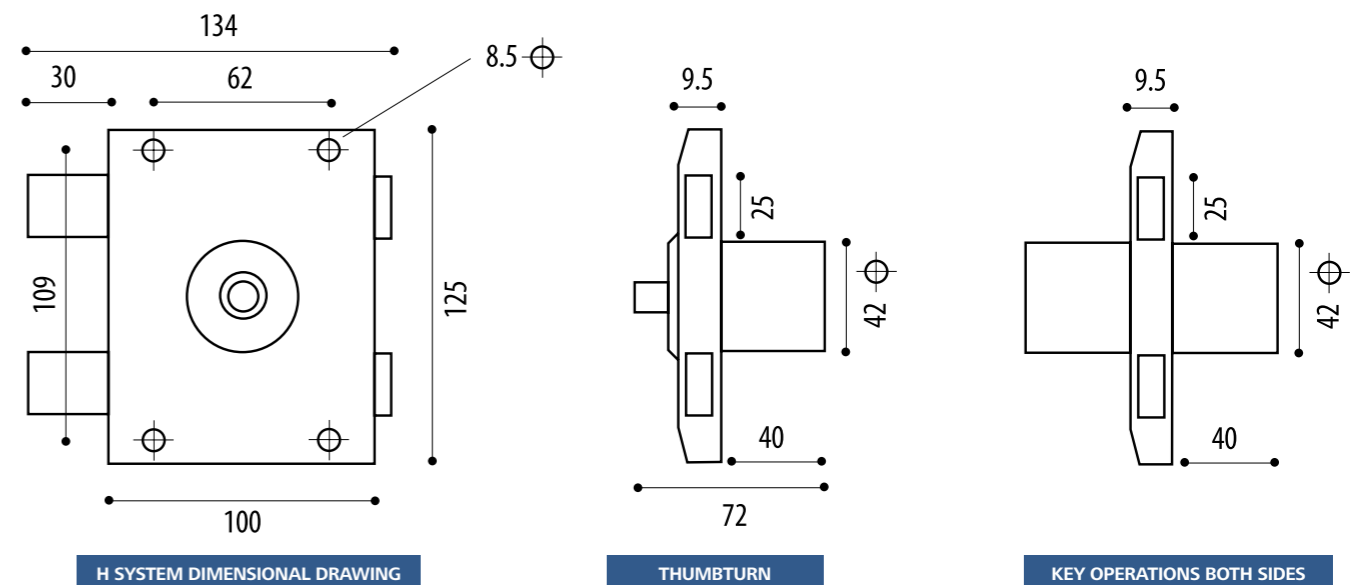
“unique multidimensional design of key is trademarked”

- The unique multidimensional design of the key is trademarked and protected against unauthorised copying. Registered keys are only available through Gerda authorised channels
- The secure replacement key service ensures that keys are sent out upon verification of client request
- Keys may be ordered through the registered key holder for the property directly with Gerda.



Scan the QR code to view technical features.

Dimensions



SUSTAINABILITY

Environmentally Friendly



The benefits of this design using natural materials reflect our ethos on sustainability:

- The steel and brass utilised in the manufacture of Gerda's production of the H System® is recyclable
- The packaging is fully recyclable
- The warranty of the H System® is for one year.

Non Toxic

"in the event of a developed fire, smoke and toxic gas emissions are regarded as the greatest risk to human life"

- The materials utilised in the production of the H System® are non toxic
- The paint is powder-based, non solvent

Low Maintenance

"low maintenance, yet high performance"

- It is a proven system that has been in place on buildings for over ten years
- The quality management system is ISO9001



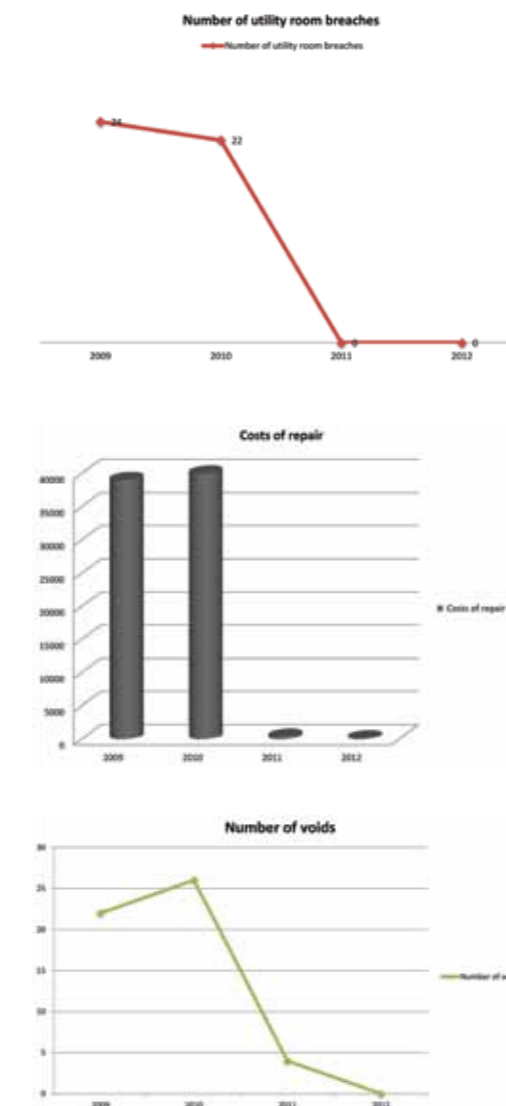
- A key cleaner is provided as part of the fitting kit to remove any debris from the key

Holistic Approach

The study below was undertaken by a housing organisation to assess the impact of a fire safety works programme in a high rise building. The areas of restricted access - in this case service rooms - formed 30 percent of the programme. The study spanned the two years prior to the fire safety works being commissioned.

The fire safety programme was based on a long-term, sustainable outcome which needed to be measurable. The objective was to adopt a holistic approach to fire safety using fully tested and certified solutions to ensure building compliance³.

Utility or service rooms were fitted with doorsets comprising the H System®.



The impact of reduced breaches was quantifiable in terms of maintenance. This freed up budget for other works to further improve the buildings.

The impact of a safer and non-vandalised living environment meant flats were in demand with no vacant properties.

³ To find out more about the fire safety study email: firesafetyseminar@gerdasecurity.co.uk

Accreditations



ISO9001 Quality Management



Constructionline - the largest online database for pre-qualified contractors and consultants



Continuous Professional Development Certification



Safe Contractor - an accreditation scheme that assesses the health & safety competency of contractors and service providers



BM Trada Certification for Fire



CHAS - recognised health & safety scheme



Secured by Design - the police (ACPO) initiative to ensure high standards in products and measures to prevent crime



DHF - The Door and Hardware Federation is responsible for maintaining industry standards



BM Trada Certification for Security



Equality Act - Our products can be manufactured in line with The Equality Act requirements



Equal Opportunities - Gerda is an Equal Opportunities Employer



Association for Specialist Fire Protection

Partnerships



Gerda® works in partnership on training and publications with the **Fire Protection Association**



Gerda® works in partnership in the high security sector with the **Master Locksmiths Association**

Facilities used by the Fire and Rescue Service must be maintained in good working order. The high performance H System® successfully secures areas of restricted access such as plant rooms, while enabling immediate entry to fire crews through their One Key® System.



For a free consultation or information relating to the Gerda range of products please contact us on the number below.

For interactive product demonstrations and dates of Fire Safety Seminars taking place at Gerda's Conference Centre please email:

firesafetyseminar@gerdasecurity.co.uk



GERDA HEAD OFFICE

53/54 Chiswick Avenue,
Mildenhall, Suffolk IP28 7AY

Tel: 0845 200 9435

Fax: 0845 200 9436

E: enquiries@gerdasecurity.co.uk

www.gerdasecurity.co.uk

Information is for general purposes only. For detailed specifications to suit your requirements, please contact a member of the Gerda locks team who will be pleased to assist. Please read in conjunction with Gerda Terms & Conditions. Gerda reserves the right to amend data at any time.

© Gerda