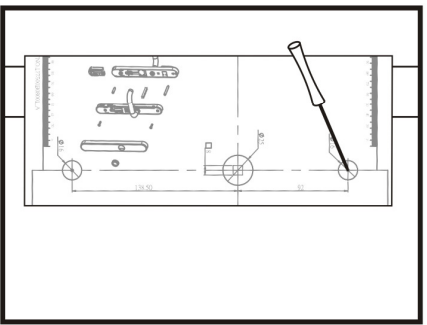
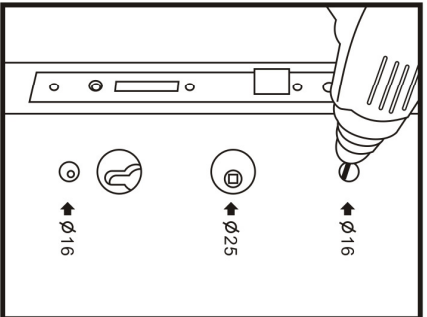


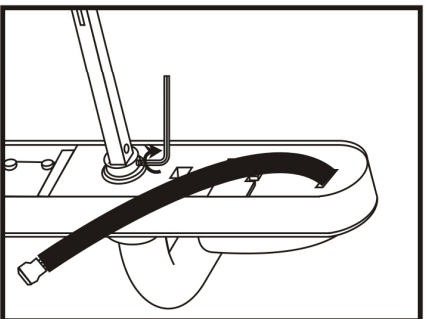
# INSTALLATION GUIDE



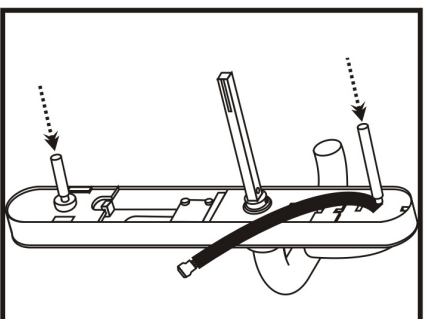
**1** Place "Door Drilling Table" on the door. Use a pin driver to help you fix the point where you need to drill.



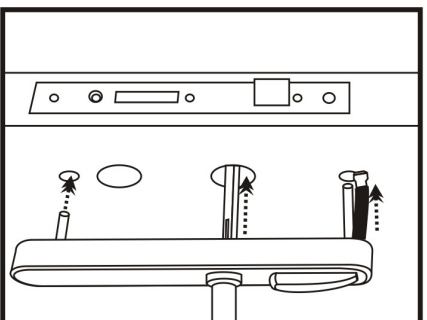
**2** If there is existing morrisse lock, make sure to remove the morrisse lock before drilling starts. Drill the holes on the door according to Door Drilling Table.



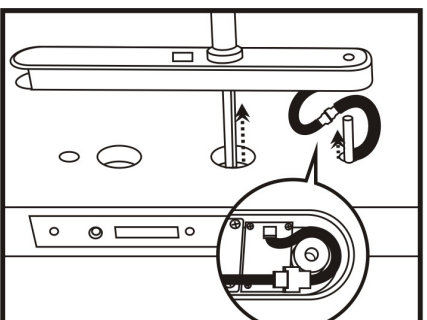
**3** From the parts bag, take out the Square Spindle to the back of outer handle set. Use hexagon screw driver (# 1.5) from the parts bag provided to tighten the square spindle.



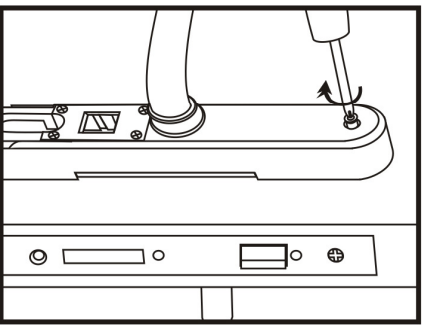
**4** From the parts bag, take out Top Fixing Screw and Short Fixing Screw. Tighten these screws to the back of top and bottom outer handle set.



**5** Pass the cable to the top of the hole carefully. Insert the outer handle set to the holes on the door.



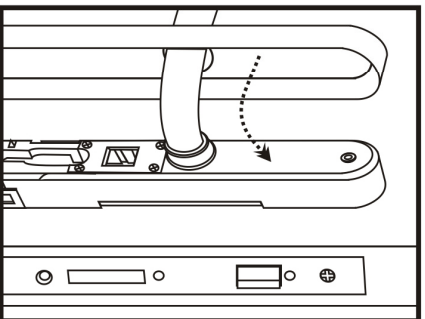
**6** Remove the cover plate from the inner handle set. Connect the cables from inner handle set to the back of outer handle set. Place the inner handle set according to the holes position on the door.



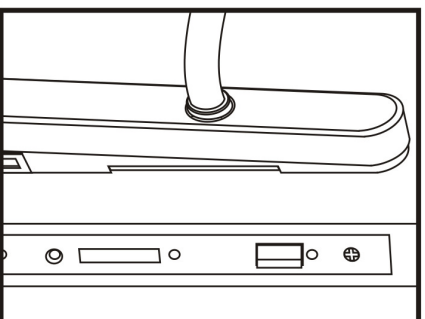
**7** From the parts bag, take out two piece of Screw and fix to the back of inner handle set. Make sure the cables is not pushed or stuck in the screw holes when tightening the screw.



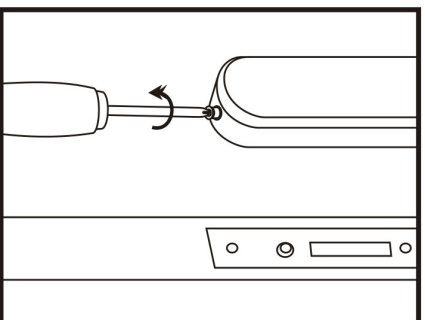
**8** Take out the Battery case from the bottom of the inner handle set. Insert 3 AAA batteries to the battery room. Put the Battery Case back to the bottom of the inner handle set. From the outer handle set the orange LED will light up when batteries are inserted successfully.



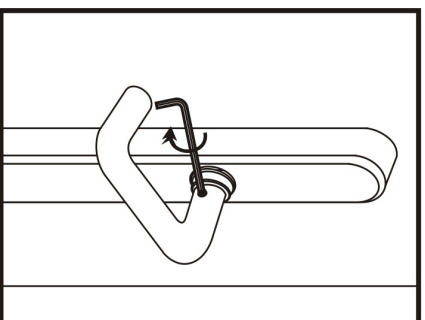
**9** Put the cover plate back to the inner handle set.



**10** Make sure the cover plate is well covered to the inner handle set. Be careful not to push the Battery Case.



**11** Carefully turn the screw anti-clockwise from the bottom of the plate until you feel resistance and the plate is secure.



**12** From parts bag, take out hexagon screw driver (# 2.5) to tighten the screw on the inner handle.