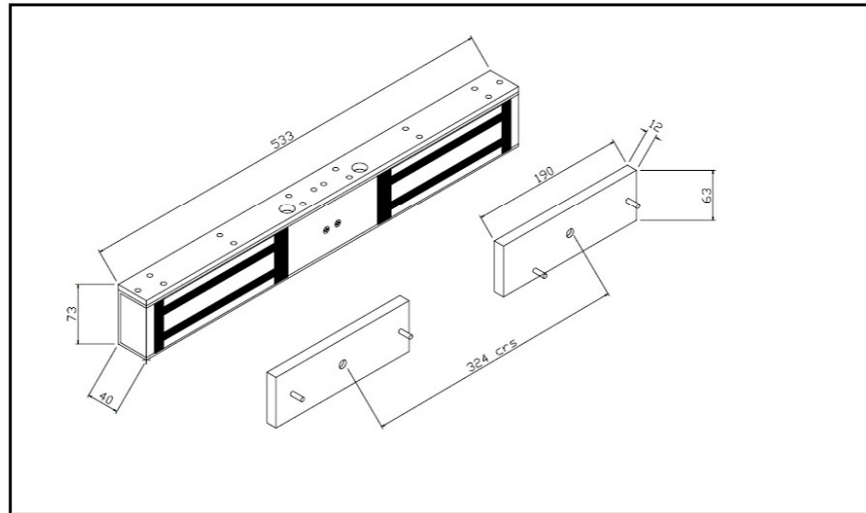


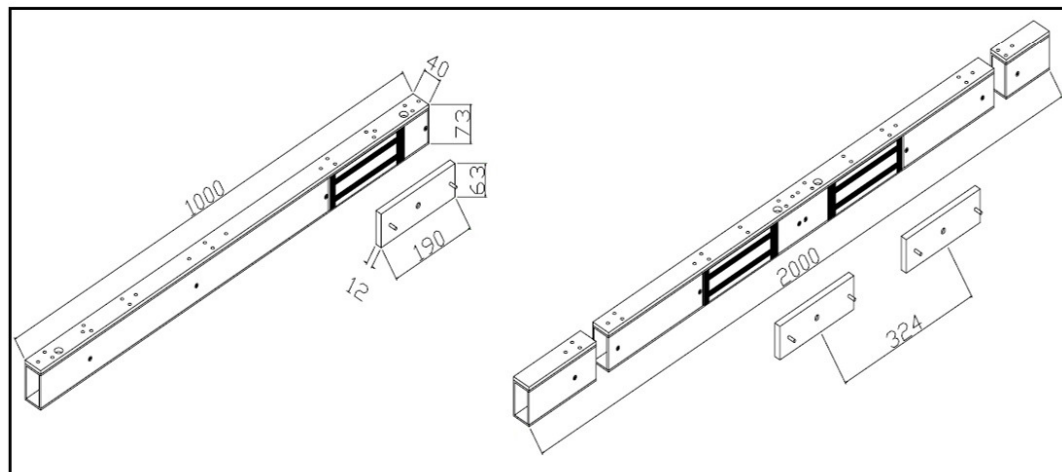
# MS30 Maxi Magnet

**Order Codes:** MS30SSU (-DS)  
MS30SSM (-DS)

- Full width 1m & 2m architectural housings
- Up to 600Kg hold force
- 12V DC 250mA
- 24V DC 500mA
- Long life, hard, easily cleaned, electroless nickel plated magnet and armature with satin anodised housing as standard
- RAL paint finishes can be specified
- Door status reed switch can be integral in housing



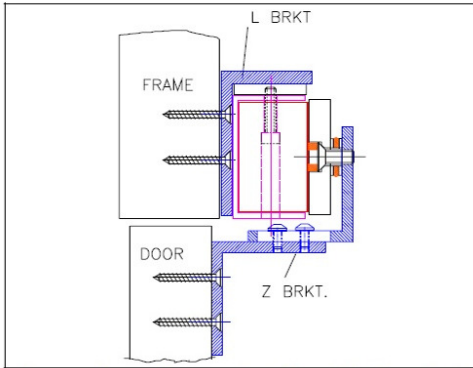
- Monitoring options :-
    - U = unmonitored
    - M = magnetic monitored i.e. door `locked` or `not locked`
    - DS = Door Status reed switch i.e. door `closed` or `not closed`
- Note:** DS option can be used with both U & M versions



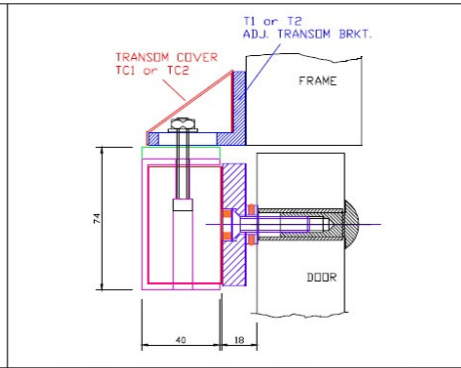
○ Available in these following options:

- Double
- Surface
- Flush
- Monitored
- Door status

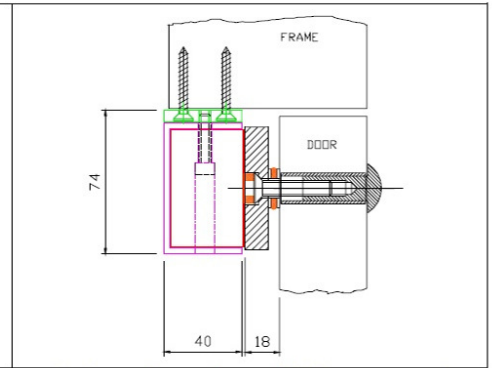
# Installation Diagrams



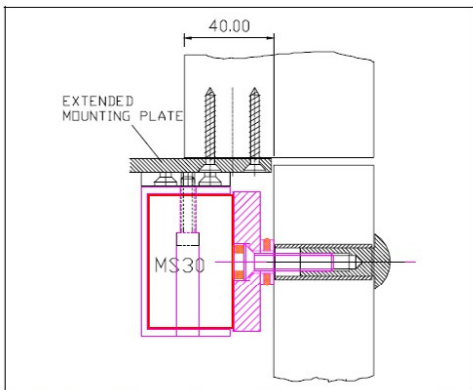
**Inward opening using Z and L bracket**



**Outward opening with no reveal using adjustable transom bracket T1/T2 with cover TC1/TC2**



**Outward opening with large reveal**



**Outward opening with narrow reveal using extended mounting plate**

## Accessories – all sold separately

- Z & L1 or L2 brackets for Inward opening doors
- Adjustable ( T1 or T2) Transom brackets for Outward opening doors
- Covers available for the Z and Transom brackets, hiding fixings.

Accessory	Order Code
L Bracket	MS30L1 (Single), MS30L2 (Double)
Z Bracket	MS30Z
Z Bracket Cover	MS30ZC
Armature housings (surface, bevelled edge, flush)	MS30 AMPTL, ARHSG, AFHSG
Adjustable Transom Bracket	MS30T1 (Single), T2 (Double)
Transom Bracket Cover	MS30TC1 (Single), MS30TC2 (Double)
Extended Mounting Plate	MS30EP1 (Single), EP2 (Double)