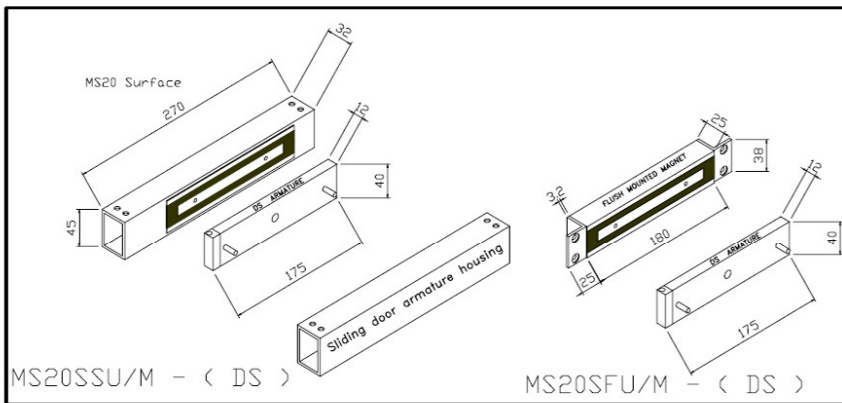
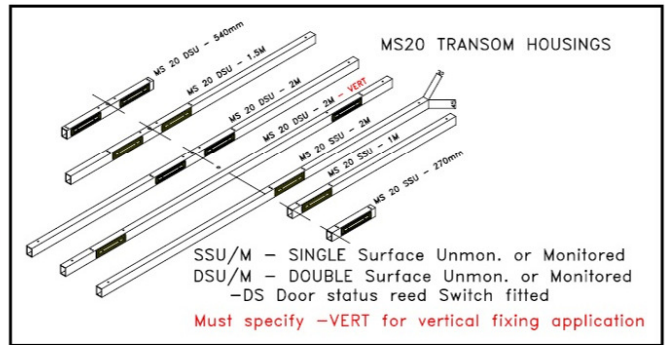


# MS20 Magnet Range

**Order Code:** MS20 DSU (-DS) - 2M (-vert)



- Architectural transom housing full door width or height
- Up to 300Kg hold force
- 12V DC 250mA
- 24V DC 500mA
- Long life, easily cleaned electroless nickel plated magnet and armature with satin anodised housing as standard
- RAL paint finishes can be specified
- Sliding door application ( armature in housing )



- Monitoring options :-
    - U = unmonitored
    - M = magnetic monitored i.e. door `locked` or `not locked`
    - DS = Door Status reed switch i.e. door `closed` or `not closed`
- Note:** DS option can be used with both U & M versions

○ Available in these following options:

- |             |                                     |
|-------------|-------------------------------------|
| Double      | <input checked="" type="checkbox"/> |
| Surface     | <input checked="" type="checkbox"/> |
| Flush       | <input checked="" type="checkbox"/> |
| Monitored   | <input checked="" type="checkbox"/> |
| Door status | <input checked="" type="checkbox"/> |

## Order Code:

Surface Mounted – in transom housing

Single Surface → **MS20SS**  → M = Monitored  
 Double Surface → **MS20DS**  → U = Unmonitored

e.g. **MS20DS**  **U/M** - **DS** - **Length** - **Vert**

↑ Door Status      ↑ 1M / 2M      ↑ For use in vertical mtg.

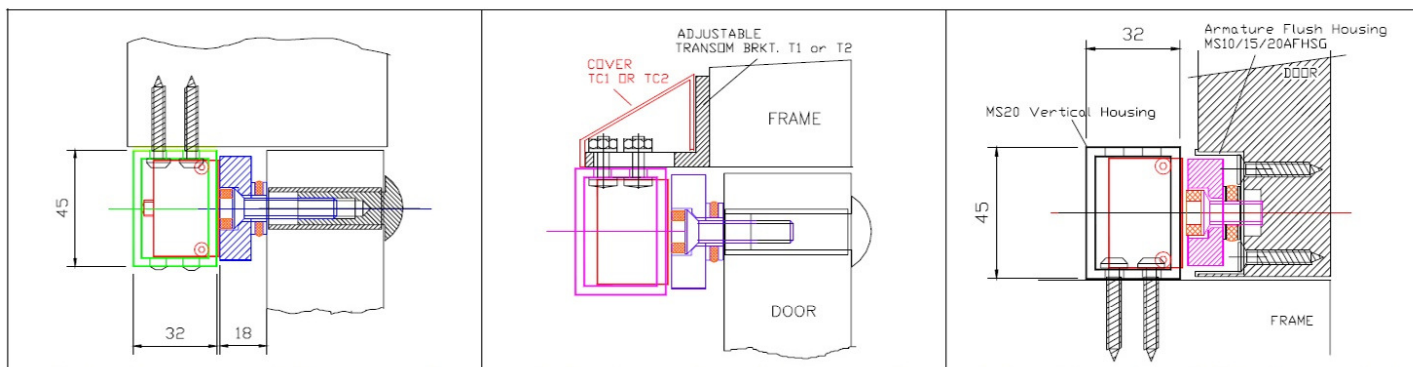
Flush – only supplied as single

Single Flush Unmonitored → **MS20SFU**  
 Single Flush Monitored → **MS20SFM**

Door Status monitoring available on either of the above e.g. **MS20SFU - DS**



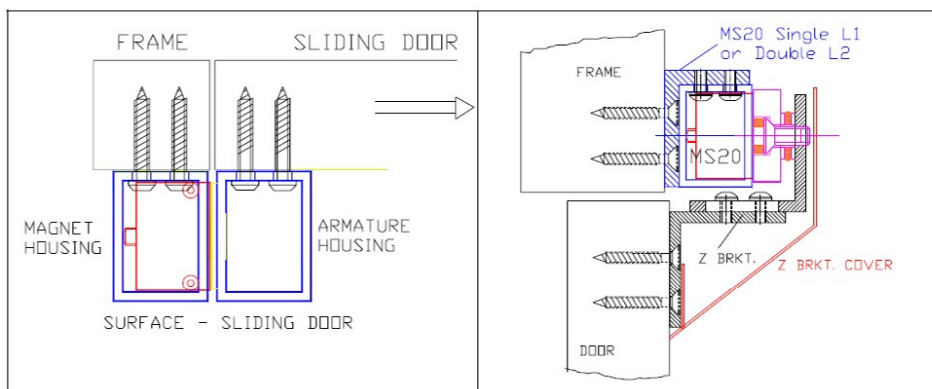
## Installation Diagrams



Outward opening with large reveal

Outward opening with no reveal using adjustable transom bracket T1/T2 with cover TC1/TC2

Outward opening with flush mounted armature using armature flush housing MS10/15/20 AFHSG



Surface mounted on a sliding door

Inward opening door using L Bracket L1 and Z bracket

## Accessories – all sold separately

- Z & L1 or L2 brackets for Inward opening doors
- Adjustable ( T1 or T2) Transom brackets for Outward opening doors
- 4 types of armature mounting giving Flush or Surface options.
- Covers available for the Z and Transom brackets, hiding fixings.

Accessory	Order Code
L Bracket	MS20L1 (Single), MS20L2 (Double)
Z Bracket	MS10/15/20Z
Z Bracket Cover	MS10/15/20ZC
Armature housings (surface, bevelled edge, flush)	MS10/15/20 AMPTL, ARHSG, AFHSG
Adjustable Transom Bracket	MS10/15/20T1 (Single), MS10/15/20T2 (Double)
Transom Bracket Cover	MS10/15/20TC1