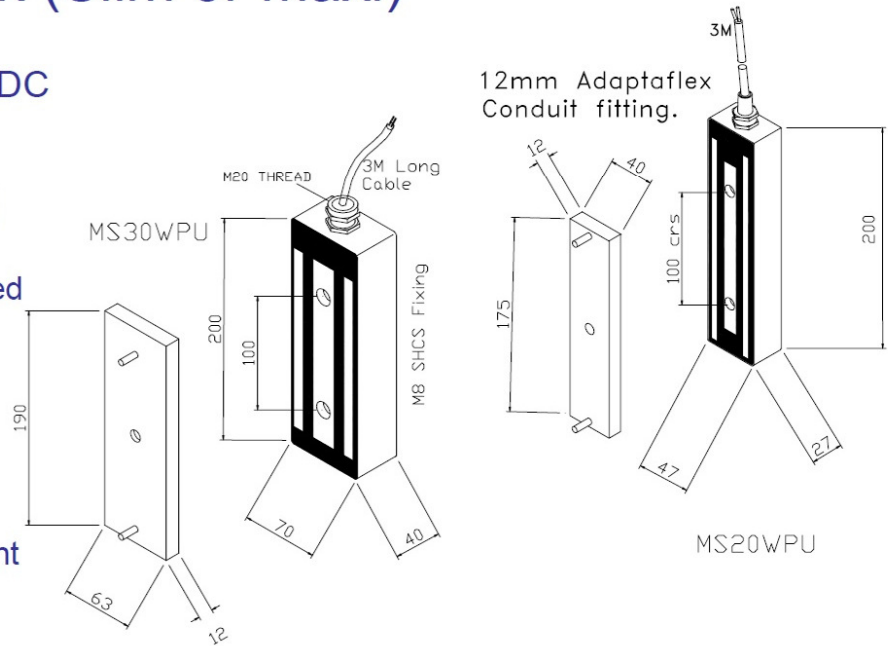


# MS 20 or 30 WPU

## External Gate Maglock (Slim or Maxi)

**Order Code :** MS20WPU – 12v DC  
MS30WPU

- MS20 and 30 Weatherproof magnets are primarily used for locking of pedestrian and vehicle gates. The magnet is fitted into a stainless steel housing with cable gland fitted for conduit attachment and has extra thickness electroless nickel plating giving maximum protection.
- MS20 requires adaptaflex conduit fitting
- MS30 requires M20 conduit fitting.
- Available to special order is cable exit from rear rather than end which allows convenient hidden wiring within hollow post.



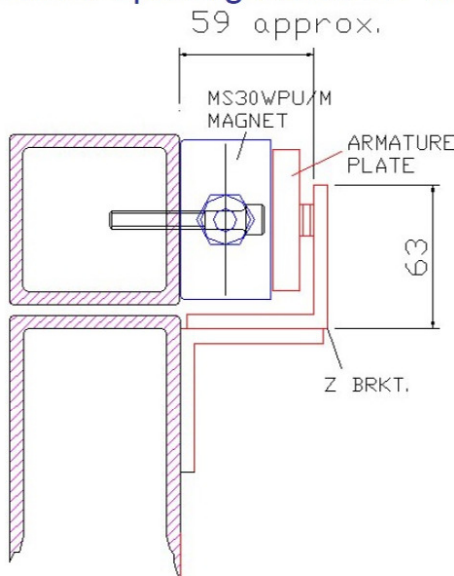
- Protected to IP65
- Face Fix ( No L bracket required )
- End cable gland standard, rear exit also possible
- Up to 250Kg hold force (MS20)
- Up to 500Kg hold force (MS30)
- 12v DC 500mA (MS20)
- 24v DC 500mA (MS20)
- 12v DC 250mA (MS30)
- 24v DC 500mA (MS30)
- Brushed stainless steel case

○ Available in these following options:

- Double
- Surface
- Flush
- Monitored
- Door status

### Installation Diagram

Inward opening MS30 WPU



### Accessories

Accessory	Order Code
Z Bracket (for MS20WPU)	MS10/15/20 Z
Z Bracket (for MS30WPU)	MS30 Z