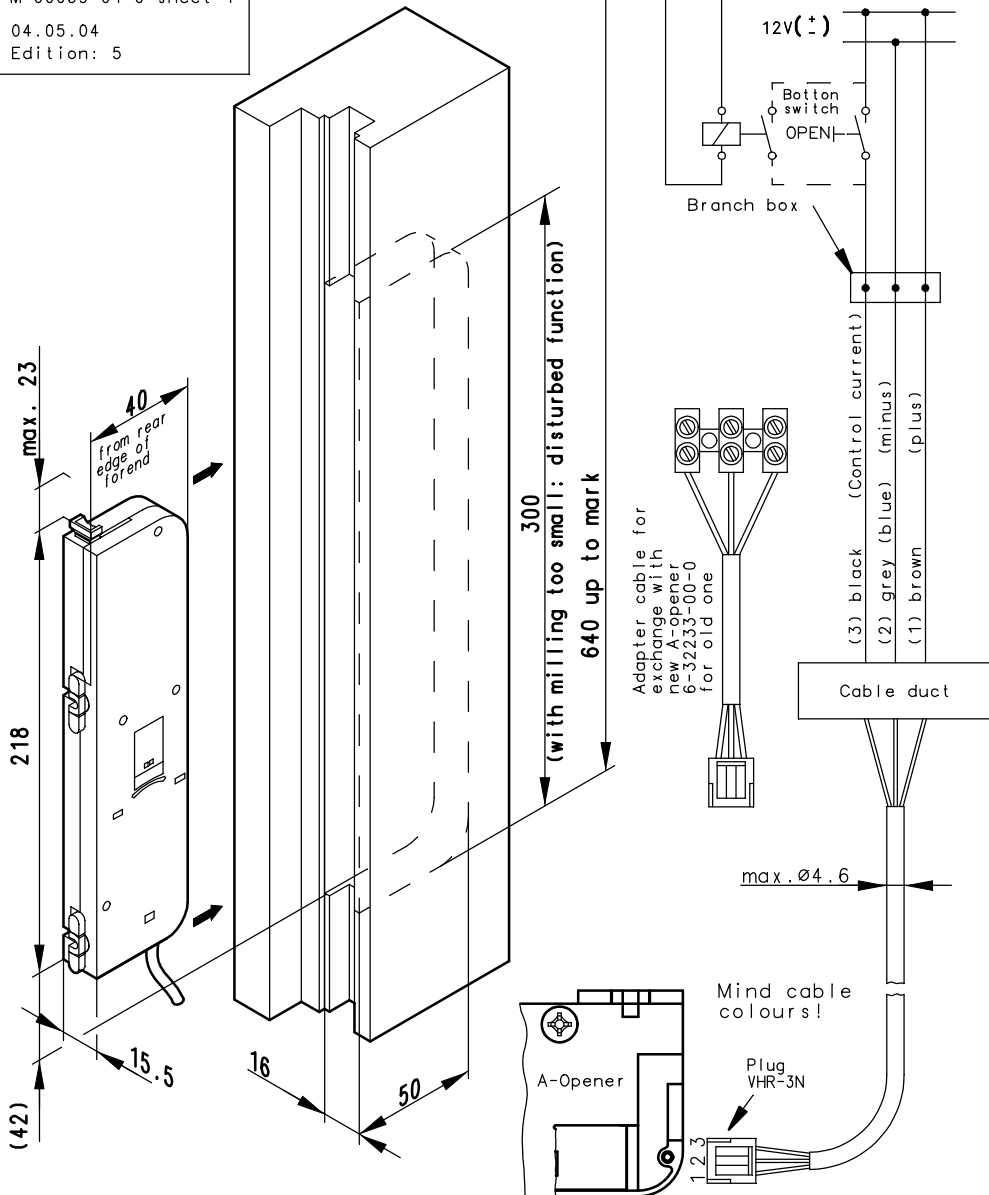


A-Opener Dimensions

Assembly instructions
M-00059-01-0 sheet 1
04.05.04
Edition: 5



Technical Data A-Opener

Voltage must be supplied by a bell transformer (security transformer) only.

Rated voltage	12V ~50Hz or 12V=
Current consumption	max. 1A
Protective System	IP40
Lifting power	max. 70N

When using an A-Opener in connection with Security Comfort, a bell transformer (safety transformer) with 2A and 12V is required.

The acoustic signalling device can be switched off. For doing so, the lock must remain connected to the main supply for at least 10 secs. Then the current must be interrupted for about 10secs. When the power supply is switched on again, the A-opener must receive at first and second drive pulse within 10 secs. First drive pulse <2secs. Second drive pulse >10secs. Now the acoustic signalling device is switched off.

Attention:

It is not allowed to connect other consumer loads, e.g. electric opener (= <<E-Opener>>), lamp etc. together with the A-Opener. If another consumer load is required, a relay must be interposed.

Important:

A "permanent open" switch (daytime latch release function) may be installed in parallel with the "Open" button switch. Circuit time unlimited.

Connecting cable

from A-Opener to branch box:

GU-connecting cable: 6-29531-00-0

(length approx. 6 m with plug and core end sleeves)
from branch box:

3-core cable

outer diameter max. 6mm

Wire cross section	until 10m	length: 0.50mm ²
	until 40m	length: 0.75mm ²
	until 50m	length: 1.00mm ²
	until 75m	length: 1.50mm ²
	until 125m	length: 2.50mm ²

(not supplied
by GU)