

# VORTEX MAGNETIC LOCK

## GB2400-LP

Vortex locks – a unique range of magnetic locks

Small in size but with a high holding force

Early warning pressure sensor alarm



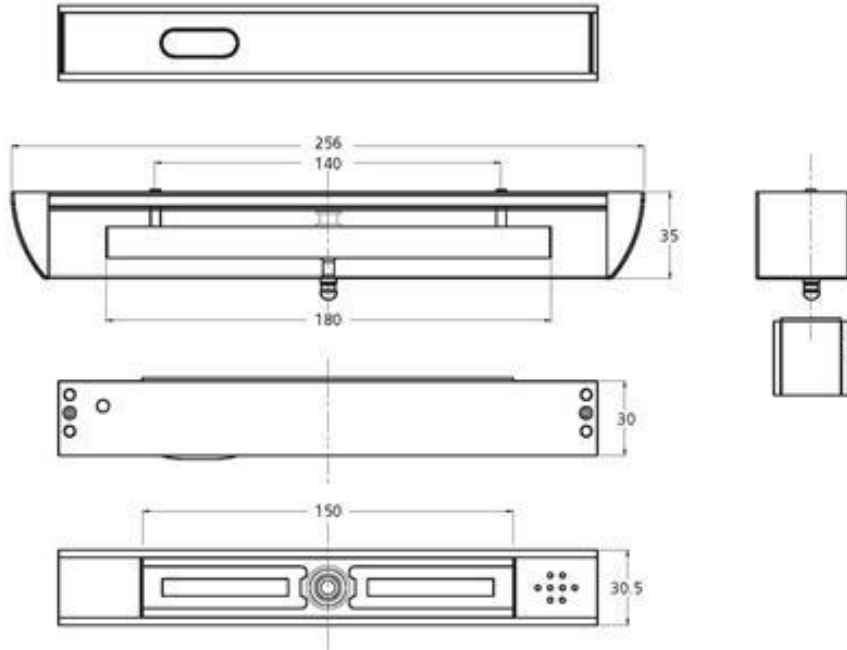
The GB Locking Systems high strength Vortex lock gives greater holding force than a standard sized magnet but is smaller than a mini magnet, thanks to the locking pin in the armature.

The lock is fitted with EW (early warning) pressure sensors, allowing the unit to send an alarm as soon as someone is trying to force access without authorisation.

- ✓ Holding force- 1,500kg
- ✓ Magnet will release with up to 100kg of side load pressure when the power is removed
- ✓ Weight- 450g
- ✓ Slimline Dimensions- 218mm(L) x 35mm(W) x 30mm(D)
- ✓ Multiple Voltage Input- Any voltage from 12vDC to 24vDC
- ✓ Low Current Consumption- 12v DC 240mA, 24v DC 120mA
- ✓ Dual Monitoring- Locking and door position

# VORTEX MAGNETIC LOCK

## Dimensions



## Accessories



**Z&L Brackets  
AMZB2400**



**L Bracket  
AMLB2400**



**Glass Door Bracket  
GBUBG2400**