

# GATIC® Parade

## Stainless Steel and Aluminium Access Covers and Frames

### Technical Details



# Features and benefits

## Materials

The majority of the Gatic Parade range of floor access covers for hard floor finishes can be manufactured in either aluminium or stainless steel, giving you the freedom to choose the material most suitable to your particular project.

## Configuration

To ensure total versatility our floor access covers can be used singly, in continuous runs as duct covers or over large areas as a multispan cover.

## Sizes

Gatic Parade floor access covers are custom made to your exact specification, between stated maximum and minimum sizes. Custom made products can be manufactured without incurring a time or cost surcharge - All products are manufactured to tolerances in accordance with BS EN 22768-1:1993 – ISO 2768-1: 1989 – Class C.

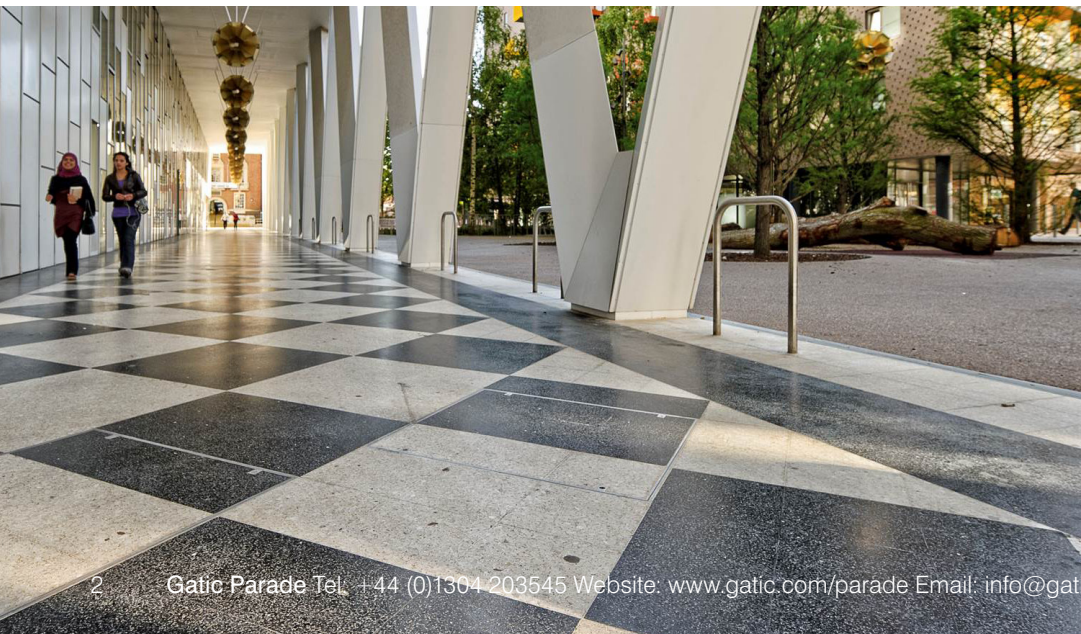
## Quality

Every aspect of Gatic Parade floor access covers has been designed and manufactured with quality in mind:

- Covers are precision made to avoid distortion.
- Lifting blocks are anchored to the inner frame.
- Stainless steel securing bolts are stiletto heel proof.
- Top edge seal on aluminium covers helps prevent dirt, grout or grinding waste ingress.
- Base plates and reinforcement are galvanised steel to resist corrosion, contact our Technical Department if products are to be used in a corrosive environment such as swimming pools.

## Fitting

Quick and easy to install ensuring minimum disruption, full installation instructions provided. Access to network of skilled installation experts is available if required.



Gatic Parade floor access covers provide easy access to under floor services using lifting keys to remove the cover. Cover sections are tapered for easy removal and frame sections give a good key to bedding mortar.

## Load bearing capacities

Various load bearing capacities, from light duty or pedestrian to a heavy duty pneumatic wheel loading, up to 5 tonne, ensure the suitability of the Gatic Parade range of access covers whatever the location.

## Fire ratings

Fire ratings up to three hours are available on most floor access covers.

## Weight

The weight of the access cover should be taken into account where ease of handling is an important consideration. In all cases reference should be made to the Manual Handling Operations Regulations 1992, which implement European Directive 90/269/EEC. If loads are excessive, consideration should be given to the use of hydraulic lifters, or our AUH/ALIFT or SSH/ALIFT range.

AUH/ALIFT and SSH/ALIFT are gas spring assisted hinged access covers designed specifically for situations where either frequent access is required or ease of handling is critical.

## Optional extras

In order to give users exactly the floor access cover you require a number of optional extras are available:

- Double Seals on the AUL, SSL, AUM, SSM, SSH, AUH/ALIFT and SSH/ALIFT to provide the highest levels of hygiene and security.
- Brass, stainless steel or coloured high impact pvc show edges on aluminium ensure aesthetic choice.



**GATIC PARADE** is a comprehensive range of single, duct and multispans high quality Aluminium and Stainless Steel Access Covers. The Gatic Parade range can be used in any situation where ease of access to services and a high quality floor finish is required.

## Cover infill

Covers are designed to accept various infill to match the surrounding surface. When grinding of the surface is required to polish marble or terrazzo, up to 2mm can be removed from the top of the aluminium or brass cover and frame, without detriment to the unit.

## Material

Aluminium Covers are produced from Aluminium Alloy grade 6063 which is noted for its high resistance to corrosion and impact.

**GATIC ALUMINIUM PARADE** Covers can have either Aluminium (**Type AUL, Type AUM or Type AUH/ALIFT**), or a brass edge showing on the surface (**Type AUL/B – AUM/B**).

**Gatic Parade Stainless Steel Covers** are to grade 304 or 316 (**Type SSL – SSM – SSH/PS – SSH/ALIFT**).

## Sealing

All standard covers are fitted with double seals to prevent the ingress of dirt and water into the pit.

## Base plate

All covers are fitted with a solid Galvanised Steel Base Plate and reinforcing to assist installation at site.

## Locking bolts

Double Sealed Covers are fitted with socket head locking bolts. Unsealed covers are fitted with blanking bolts.

## Keys

Standard lifting keyholes utilise a threaded key for security during cover removal.

## Installation

Each consignment of goods is accompanied by written installation instructions.

## Interchangeability

Standard sized covers are normally interchangeable.

## Load classification

Covers are designed to withstand the working loads as shown in the following chart when correctly installed. Where stated, wheel loadings apply to slow moving vehicles with pneumatic tyres.

**Light Duty:** Pedestrian traffic, (including wheeled trollies, sack trucks, etc).

Type **AUL and Type SSL.**

**Medium Light Duty:** Up to 3 tonne slow moving pneumatic tyre wheel load, (cars and light delivery vehicles).

Type **AUM and Type SSM.**

**Medium Duty:** Up to 5 tonne slow moving pneumatic tyre wheel load, (including cars and light delivery vehicles).

Type **SSH/PS** – For external paving slabs including granite & concrete.

Type **AUH/ALIFT** – Aluminium AssistLift Covers for ceramic tiles, marble, terrazzo, resin, wood and all hard floors.

Type **SSH/ALIFT** – Stainless Steel AssistLift Covers for ceramic tiles, marble, terrazzo, resin, wood and all hard floors.

## Fire ratings

The following Fire Ratings have been tested in accordance with BS 476: Part 20: 1987

Cover Type	Single	Duct	Multispan
Type AUL & SSL	1 Hour	•	•
Type AUM & SSM	3 Hours	2 Hours	2 Hours
Type SSH/PS	3 Hours	2 Hours	2 Hours
AUH/ALIFT & SSH/ALIFT	3 Hours	•	•

## COVER WEIGHTS WHEN FILLED WITH CONCRETE (APPROX)

Cover Type	Cover Weight	Cover Type	Cover Operating Wt.
AUL & SSL	90 kg/m <sup>2</sup>	AUH/ALIFT & SSH/ALIFT	20 kg
AUM & SSM	155 kg/m <sup>2</sup>		
SSH/PS	220 kg/m <sup>2</sup>		

# Single Covers & Frames – Type AUL / AUL/B and SSL

## Loading

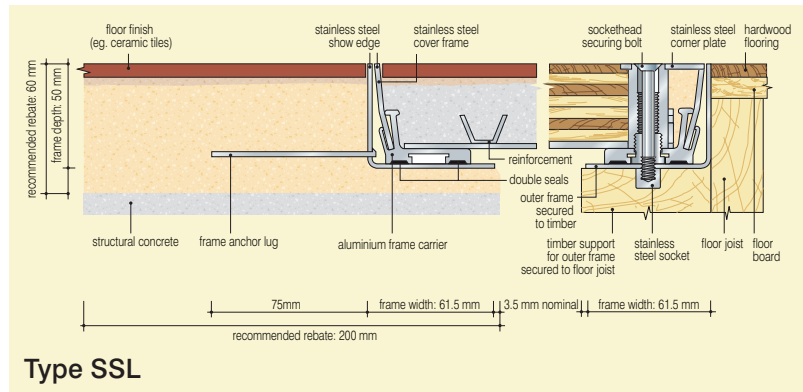
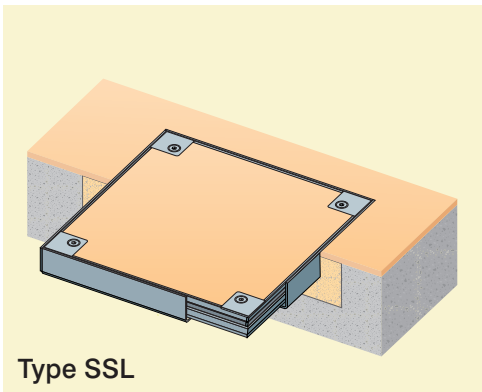
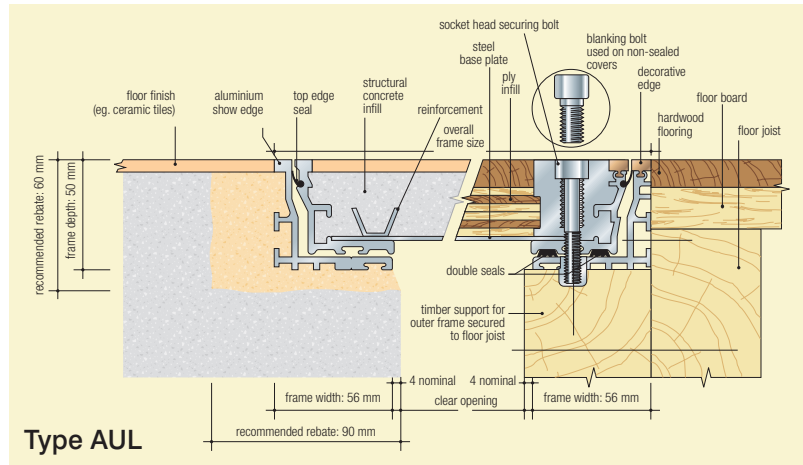
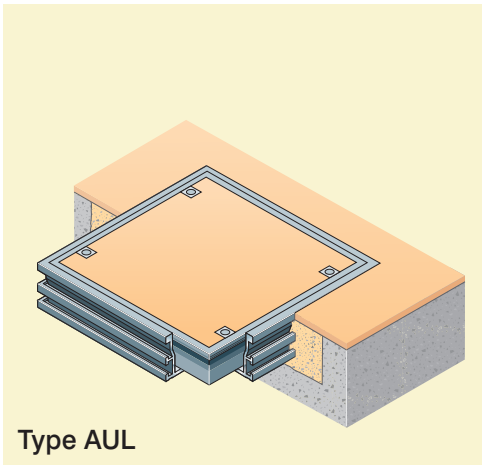
**Light Duty pedestrian traffic** (Including small wheeled trolleys, sack trucks, etc.)

## Typical floor finish

Ceramic tiles, marble, terrazzo, concrete resin, wood, and all hard floors.

## Options

■ Aluminium (Type AUL) ■ Aluminium with Brass edge (AUL/B) ■ Stainless Steel (Type SSL)



## Standard Sizes Available

Sizes shown are typical pit clear opening sizes. Covers can be manufactured to suit virtually any size up to 750 x 750 for this loading Group.

## Specification

..... in No. .... X..... single recessed cover and frame, Type AUL or AUL/B or SSL\*, with 1 hour fire rating to BS476: Part 20: 1987\*, Aluminium – Stainless Steel\* with galvanised baseplate and reinforcement, double sealed with securing bolts – unsealed with blanking bolts\*

\*delete as appropriate

Pit Clear Opening Length x Span
150 x 150
300 x 300
450 x 300
600 x 300
750 x 300
450 x 450
600 x 450
750 x 450
600 x 600
750 x 600
750 x 750

# Duct & Trench Covers & Frames – Type AUL / AUL/B and SSL

## Loading

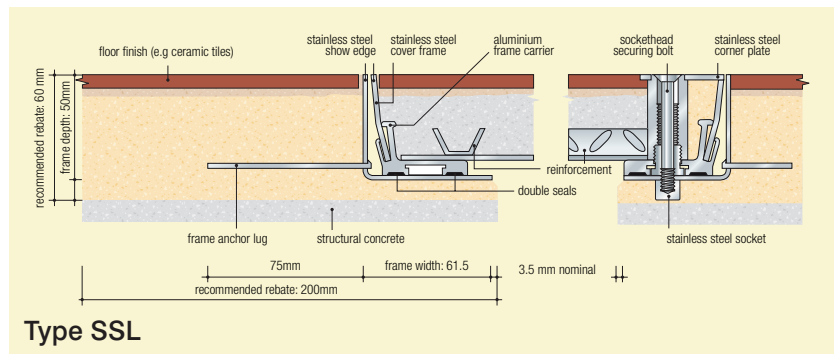
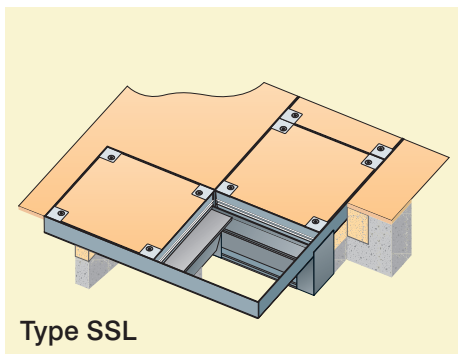
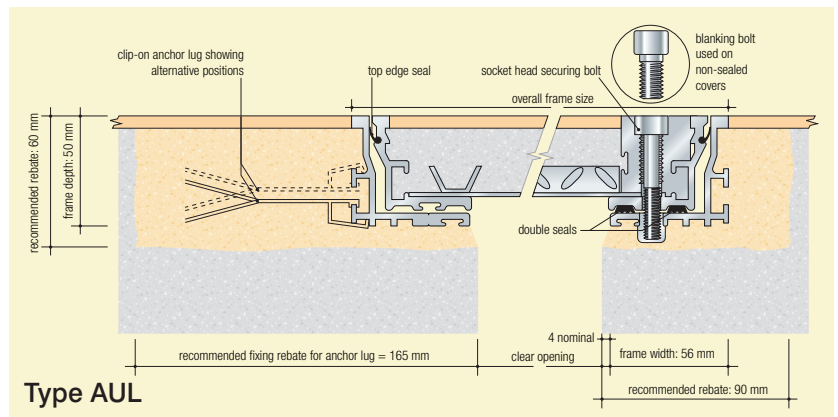
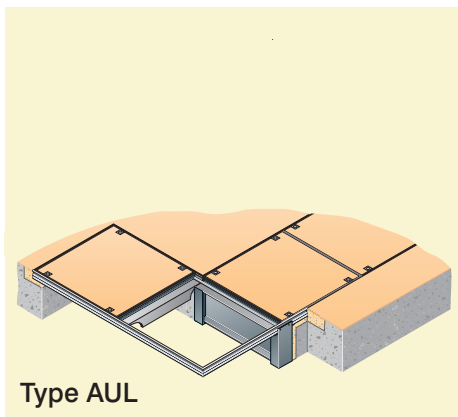
**Light Duty pedestrian traffic** (Including small wheeled trolleys, sack trucks, etc.)

## Typical floor finish

Ceramic tiles, marble, terrazzo, concrete resin, wood, and all hard floors.

## Options

■ Aluminium (**Type AUL**) ■ Aluminium with Brass edge (**AUL/B**) ■ Stainless Steel (**Type SSL**)



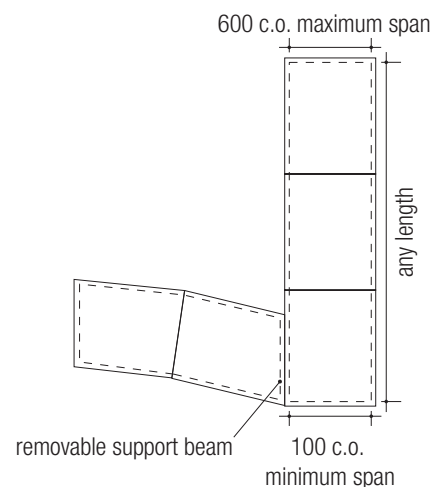
## Standard Sizes Available

Complex layouts of duct or trench runs can be created – Sizes from 100 to a maximum clear opening span of 600mm for this loading group.

## Standard Sizes Available

Recessed duct covers and frames, Type AUL or AUL/B or SSL\*, Aluminium – Stainless Steel\* with galvanised baseplate and reinforcement, double sealed with securing bolts – unsealed with blanking bolts\* as per drawing.

\*delete as appropriate



# Single Covers & Frames – Type AUM / AUM/B and SSM

## Loading

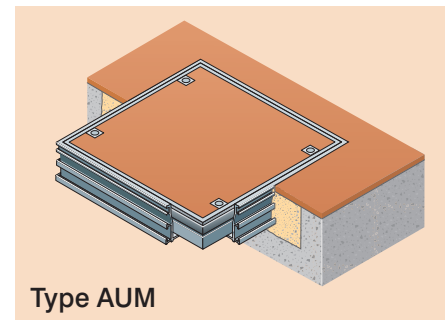
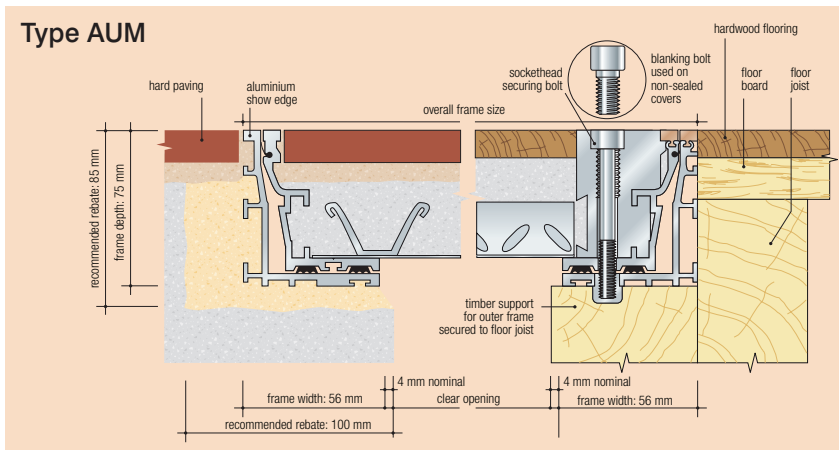
**Medium Light Duty** Up to 3 tonne slow moving pneumatic tyre wheel loads, (including cars and light delivery vehicles).

## Typical floor finish

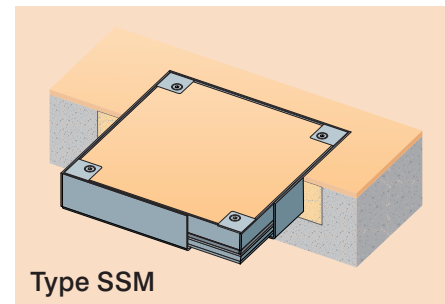
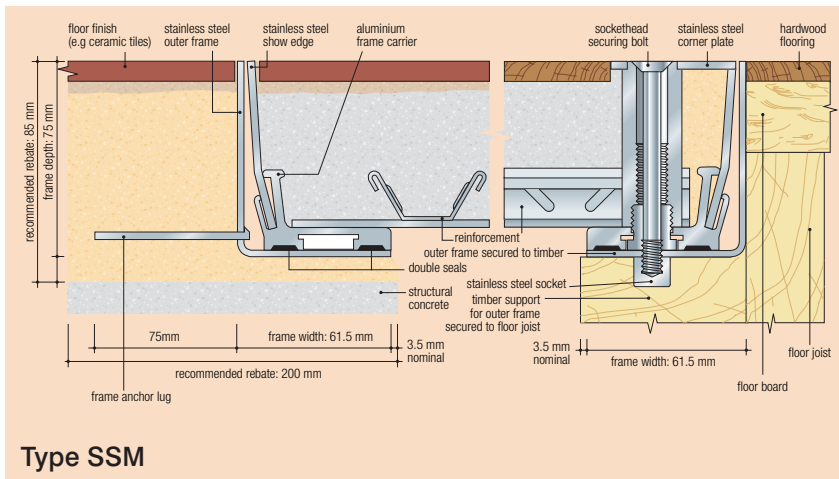
Ceramic tiles, marble, terrazzo, concrete, resin, wood, and all hard floors.

## Options

■ Aluminium (Type AUM) ■ Aluminium with Brass edge (AUM/B) ■ Stainless Steel (Type SSM)



Type AUM



Type SSM

Pit Clear Opening Length x Span
150 x 150
300 x 300
450 x 300
600 x 300
750 x 300
450 x 450
600 x 450
750 x 450
600 x 600
750 x 600
750 x 750
900 x 750
900 x 900

## Standard Sizes Available

Sizes shown are typical pit clear opening sizes. Covers can be manufactured to suit virtually any size up to 900 x 900 for this loading group.

## Specification

..... in No. .... X..... single recessed cover and frame, **Type AUM** or **AUM/B** or **SSM\***, with 3 hour fire rating to BS476: Part 20: 1987\*, Aluminium – Stainless Steel\* with galvanised baseplate and reinforcement, double sealed with securing bolts – unsealed with blanking bolts\*

\*delete as appropriate

# Duct & Trench Covers & Frames – Type AUM / AUM/B and SSM

## Loading

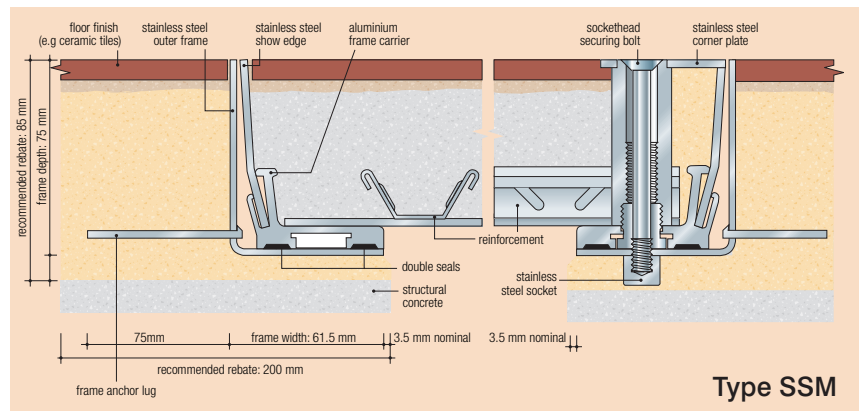
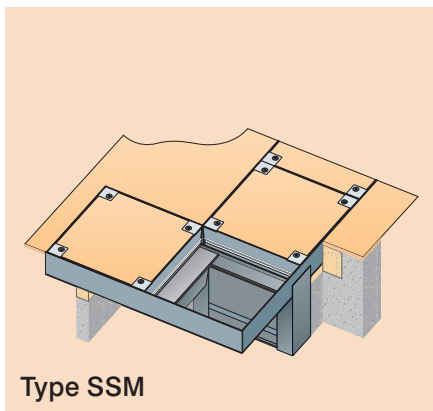
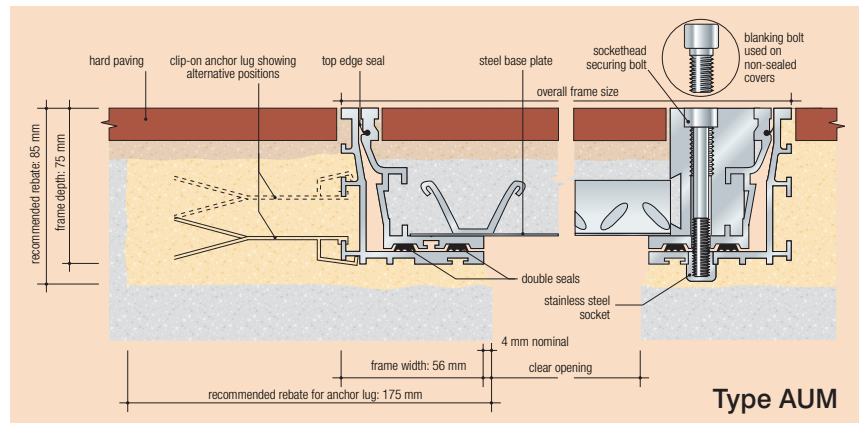
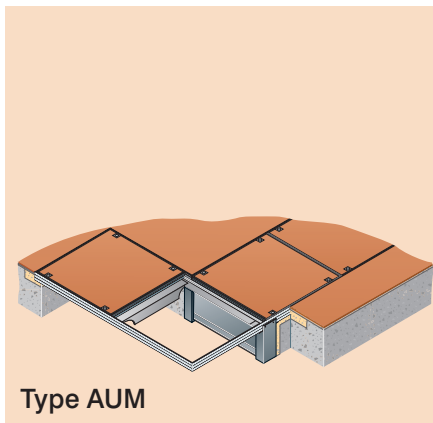
**Medium Light Duty** Up to 3 tonne slow moving pneumatic tyre wheel loads, (including cars and light delivery vehicles).

## Typical floor finish

Ceramic tiles, marble, terrazzo, concrete, resin, wood, and all hard floors.

## Options

■ Aluminium (**Type AUM**) ■ Aluminium with Brass edge (**AUM/B**) ■ Stainless Steel (**Type SSM**)



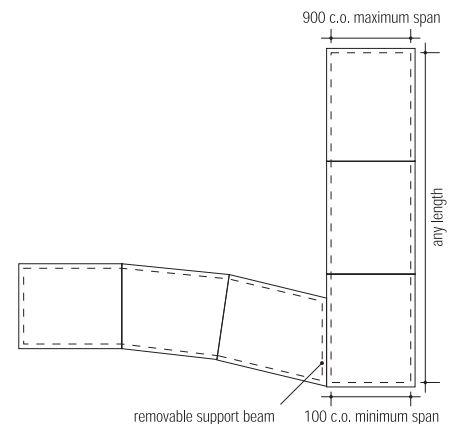
## Standard Sizes Available

Complex layouts of duct or trench runs can be created. Sizes from 100 to a maximum clear opening span of 900mm for this loading group.

## Specification

Recessed duct covers and frames, **Type AUM** or **AUM/B** or **SSM\***, Aluminium – Stainless Steel\* with galvanised baseplate and reinforcement, double sealed with securing bolts – unsealed with blanking bolts\* as per drawing.

\*delete as appropriate



# Multispan Covers & Frames – Type AUM / AUM/B and SSM

## Loading

**Medium Light Duty** Up to 3 tonne slow moving pneumatic tyre wheel loads, (including cars and light delivery vehicles).

Then select product Type from opposite page.

Refer to the table to identify which cover and beam configuration you require against pit clear opening length (L) and pit clear opening span (S). *All dimensions are in millimetres.*

		Pit clear opening length (L) mm												Beam centres mm													
		2 parts					3 parts					4 parts		A	B	C	D	E									
		1300	1450	1600	1750	1900	2000	2150	2300	2450	2600	2750	2900	2700	2850	3000	3150	3300	3450	3600	3750	3900					
Pit clear opening span (S) mm	2 parts 1 beam	1300																					650	650			
		1450																					725	725			
		1600																					800	800			
	3 parts 2 beams	1750																					875	875			
		1900																					950	950			
		2000																					650	700	650		
	4 parts 3 beams	2150																					725	675	725		
		2300																					725	850	725		
		2450																					800	850	800		
	5 parts 4 beams	2600																					800	1000	800		
		2750																					950	850	950		
		2900																					950	1000	950		
6 parts 3 beams	3000																					800	700	700	800		
	3150																					800	850	850	650		
	3300																					800	850	850	800		
7 parts 4 beams	3450																					950	850	850	800		
	3600																					950	850	850	950		
	3750																					950	1000	1000	800		
8 parts 5 beams	3900																					950	1000	1000	950		
	4000																					800	850	700	850	800	
	4150																					800	850	850	850	800	
9 parts 6 beams	4300																					800	850	1000	850	800	
	4450																					800	1000	850	1000	800	
	4600																					850	1000	1000	1000	850	
10 parts 7 beams	4750																					950	1000	850	1000	950	
	4900																					950	1000	1000	1000	950	
																						950	1000	1000	1000	950	

Note: For other pit clear opening sizes please refer to our technical department.

Loading

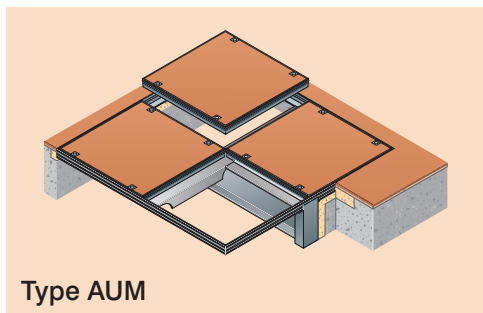
**Medium Light Duty** Up to 3 tonne slow moving pneumatic tyre wheel loads, (including cars and light delivery vehicles).

Typical floor finish

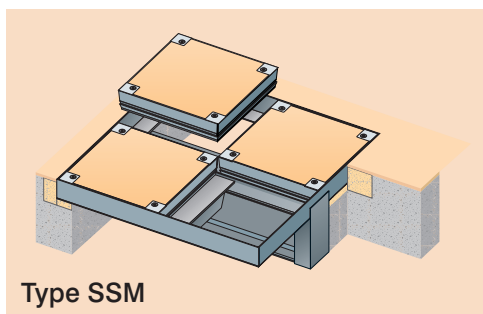
Ceramic tiles, marble, terrazzo, concrete, resin, wood, and all hard floors.

Options

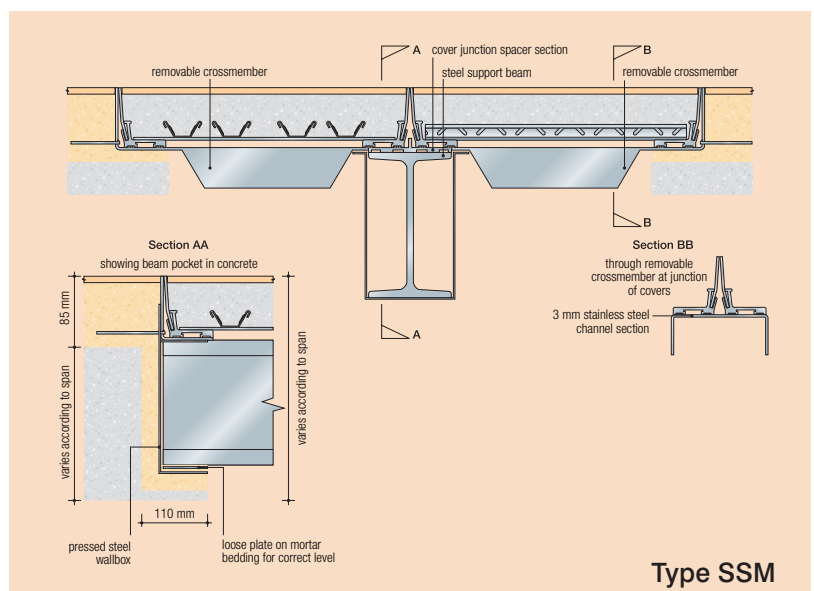
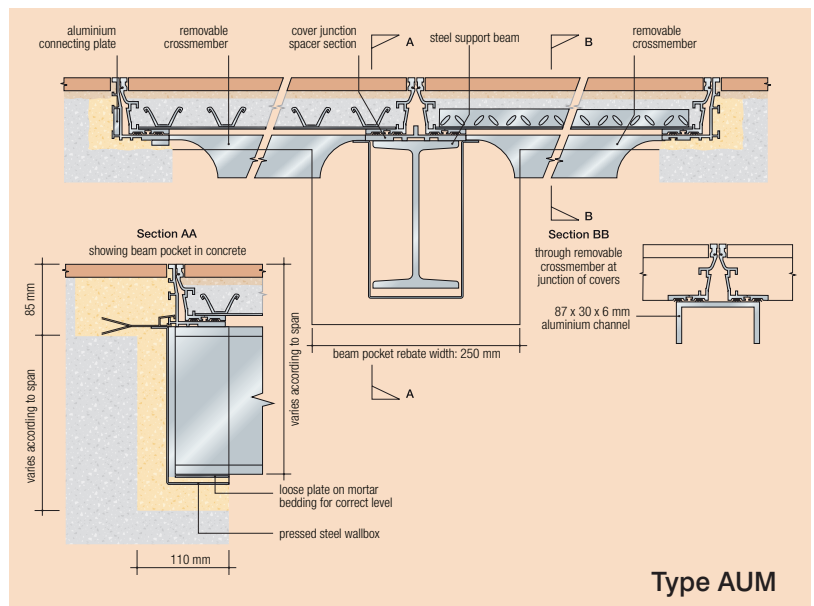
■ Aluminium (Type AUM) ■ Aluminium with Brass edge (AUM/B) ■ Stainless Steel (Type SSM)



Gatic Parade 2 hour fire rated Multispan Aluminium Recessed Covers and Frames with Removable Beams aluminium/brass\* edging, top edge dirt seal, mechanically jointed corners, galvanised baseplate and reinforcement, double sealed with socket head securing bolts/unsealed with blanking bolts\* to suit a pit clear opening of ..... x ..... suitable for Medium Light Duty – 3 tonne slow moving pneumatic wheel load Type AUM or AUM/B\*



Gatic Parade 2 hour fire rated Multispan Stainless Steel Recessed Covers and Frames with Removable Beams, galvanised baseplate and reinforcement, double sealed with socket head securing bolts/unsealed with blanking bolts\* to suit a pit clear opening of ..... x ..... suitable for Medium Light Duty – 3 tonne slow moving pneumatic wheel load Stainless Steel Grade 304/316\* Type SSM



\*delete as appropriate

# Single Covers & Frames – Type SSH/PS

## Loading

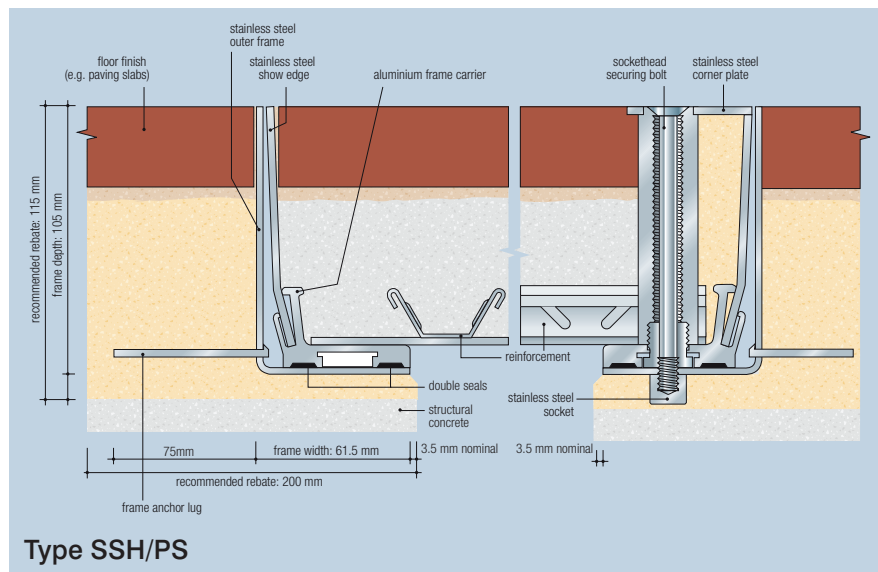
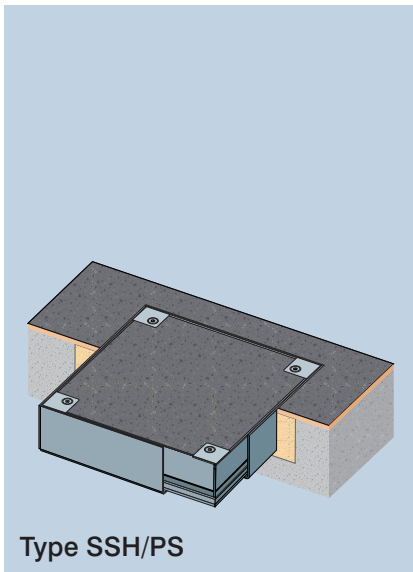
**Medium Duty** Up to 5 tonne slow moving pneumatic tyre wheel loads, (including cars and light delivery vehicles).

## Typical floor finish

External grade paving slabs, including granite and concrete, up to 50mm thick.

## Options

■ Stainless Steel (**Type SSH/PS**)



## Standard Sizes Available

Sizes shown are typical pit clear opening sizes. Covers can be manufactured to suit virtually any size up to 900 x 900 for this loading group.

## Specification

..... in No. .... X..... single recessed cover and frame, **Type SSH/PS** with 3 hour fire rating to BS476: Part 20: 1987\*, Stainless Steel with galvanised baseplate and reinforcement, double sealed with securing bolts – unsealed with blanking bolts\*

\*delete as appropriate

Pit Clear Opening Length x Span
150 x 150
300 x 300
450 x 300
600 x 300
750 x 300
450 x 450
600 x 450
750 x 450
600 x 600
750 x 600
900 x 600
750 x 750
900 x 750
900 x 900

# Duct & Trench Covers & Frames – Type SSH/PS

Loading

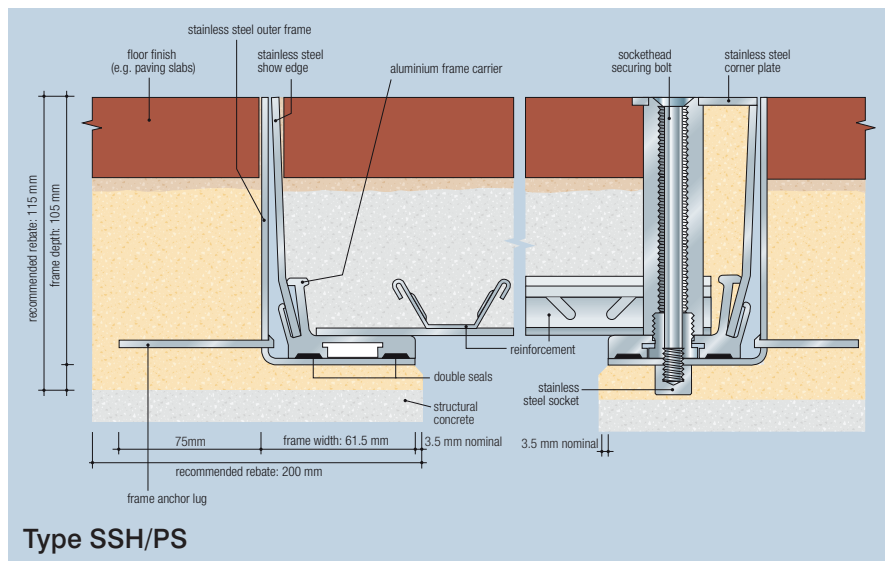
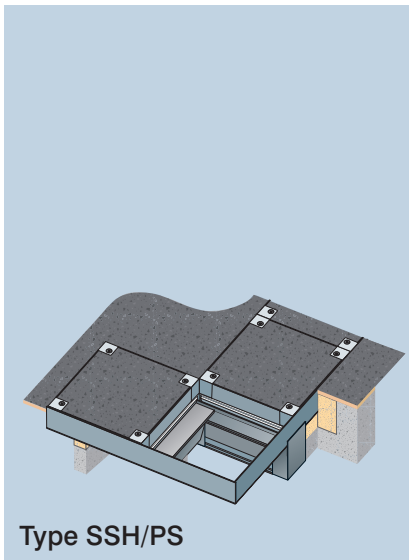
**Medium Duty** Up to 5 tonne slow moving pneumatic tyre wheel loads, (including cars and light delivery vehicles).

Typical floor finish

External grade paving slabs, including granite and concrete, up to 50mm thick.

Options

■ Stainless Steel (**Type SSH/PS**)



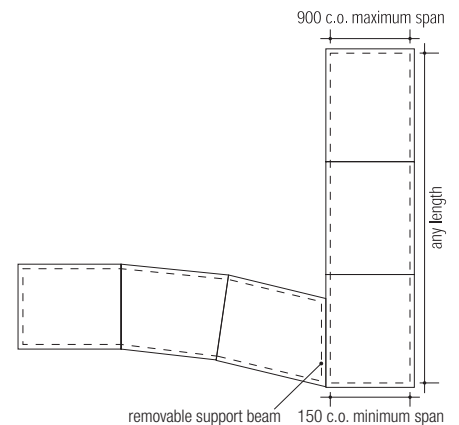
Standard Sizes Available

Complex layouts of duct or trench runs can be created- Sizes from 150 to a Max clear opening span of 900mm for this loading group.

Specification

Recessed duct covers and frames, **Type SSH/PS** Stainless Steel with galvanised baseplate and reinforcement, double sealed with securing bolts – unsealed with blanking bolts\* as per drawing.

\*delete as appropriate



# Multispan Covers & Frames – Type SSH/PS

Loading

**Medium Duty** Up to 5 tonne slow moving pneumatic tyre wheel loads, (including cars and light delivery vehicles).

Then select product Type from opposite page.

Refer to the table to identify which cover and beam configuration you require against pit clear opening length (L) and pit clear opening span (S). *All dimensions are in millimetres.*

		Pit clear opening length (L) mm												Beam centres mm													
		2 parts					3 parts					4 parts		A	B	C	D	E									
		1300	1450	1600	1750	1900	2000	2150	2300	2450	2600	2750	2900	2700	2850	3000	3150	3300	3450	3600	3750	3900					
Pit clear opening span (S) mm	2 parts 1 beam	1300																					650	650			
		1450																					725	725			
		1600																					800	800			
	3 parts 2 beams	1750																					650	700	650		
		1900																					725	675	725		
		2000																					725	850	725		
		2150																					800	850	800		
		2300																					800	1000	800		
		2450																					950	850	950		
	4 parts 3 beams	2600																					950	1000	950		
		2750																					800	700	700	800	
		2900																					800	850	850	650	
3000																						800	850	850	800		
3150																						950	850	850	800		
5 parts 4 beams	3300																					950	850	850	950		
	3450																					950	1000	1000	800		
	3600																					950	1000	1000	950		
	3750																					950	1000	1000	950		
5 parts 4 beams	3900																					800	850	700	850	800	
	4000																					800	850	850	850	800	
	4150																					800	850	1000	850	800	
	4300																					800	1000	850	1000	800	
	4450																					850	1000	1000	1000	850	
	4600																					950	1000	850	1000	950	
	4750																					950	1000	1000	1000	950	
	4900																					950	1000	1000	1000	950	

Note: For other pit clear opening sizes please refer to our technical department.

Loading

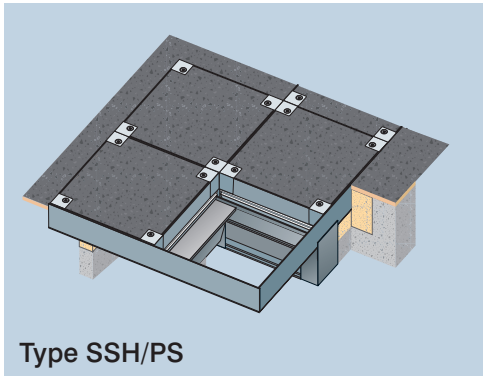
**Medium Duty** Up to 5 tonne slow moving pneumatic tyre wheel loads, (including cars and light delivery vehicles).

Typical floor finish

External grade paving slabs, including granite and concrete, up to 50mm thick.

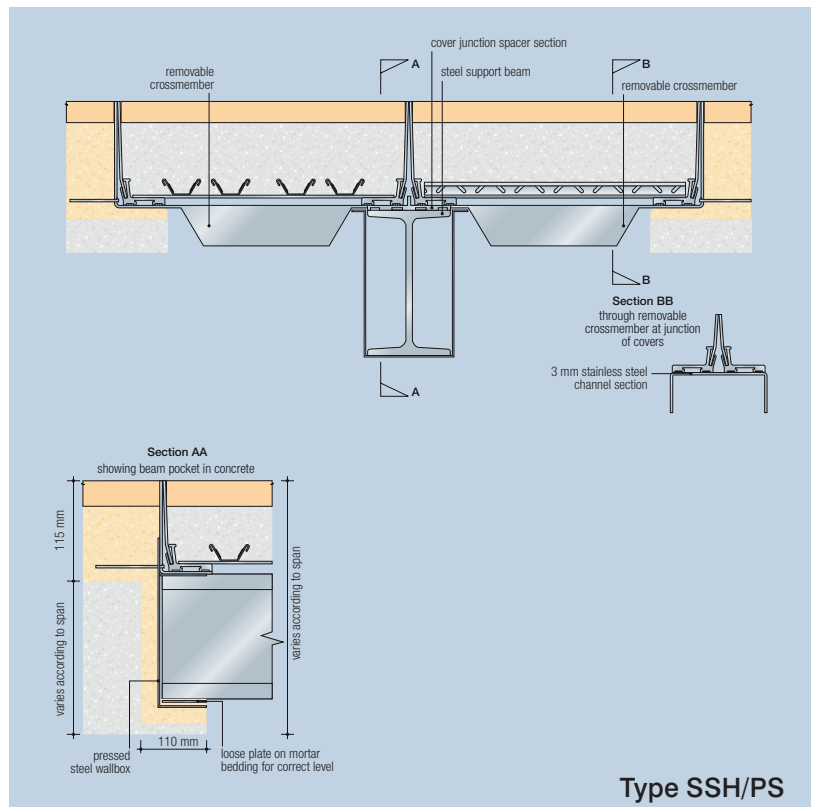
Options

■ Stainless Steel (Type SSH/PS)



Gatic Parade 2 hour fire rated Multispan Stainless Steel Recessed Covers and Frames with Removable Beams, galvanised baseplate and reinforcement, double sealed with socket head securing bolts/unsealed with blanking bolts\* to suit a pit clear opening of ..... x ..... suitable for Medium Duty – 5 tonne slow moving pneumatic wheel load Stainless Steel Grade 304/316\* Type **SSH/PS**.

\*delete as appropriate



# Single Assist Lift Covers & Frames – Type AUH/ALIFT and SSH/ALIFT

Loading

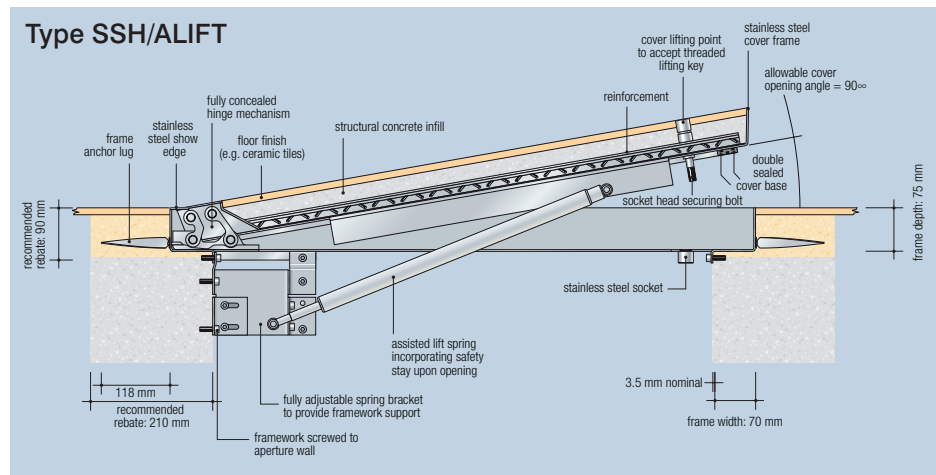
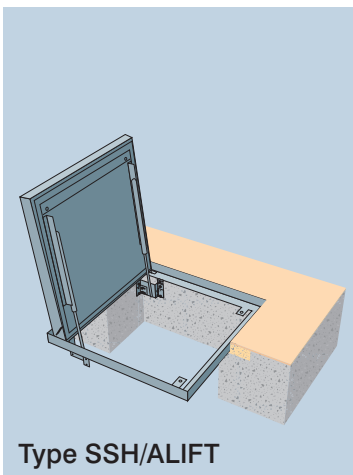
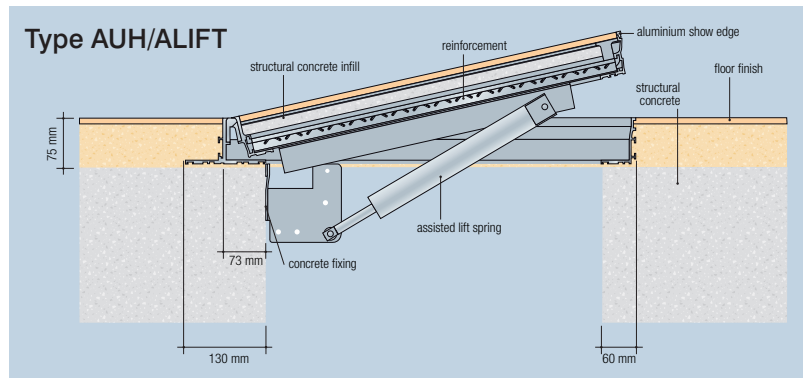
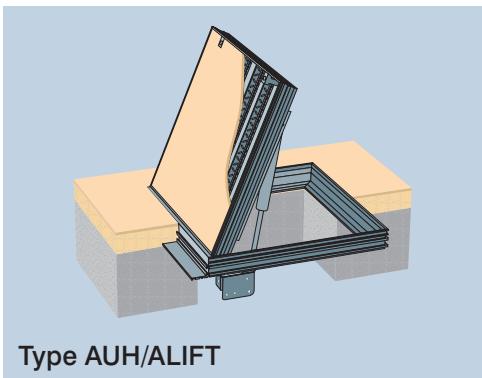
**Medium Duty** Up to 5 tonne slow moving pneumatic tyre wheel loads, (including cars and light delivery vehicles).

Typical floor finish

Ceramic tiles, marble, terrazzo, concrete, resin, wood, and all hard floors.

Options

- Aluminium (Type AUH/ALIFT)
- Stainless Steel (Type SSH/ALIFT)



## Standard Sizes Available

Sizes shown are typical pit clear opening sizes. Covers can be manufactured to suit virtually any size up to 1000 x 1000mm for this loading group.

## Specification

..... in No. .... X..... single recessed cover and frame, **Type AUH/ALIFT** or **SSH/ALIFT\***, with 3 hour fire rating to BS476: Part 20: 1987\*, Aluminium – Stainless Steel\* with galvanised baseplate and reinforcement, hatch to be fitted with concealed hinges and gas springs double sealed with securing bolts – unsealed with blanking bolts\*

Pit Clear Opening Length x Span
600 x 600
750 x 600
750 x 750
900 x 750
900 x 900
900 x 1000
1000 x 1000

\*delete as appropriate