



BFT Bollards

A complete range of bollards



Fixed Bollards

Gas Bollards

Automatic Bollards

Crash Rated Automatic & Fixed Bollards

Crash Tested Automatic Bollards



Be ahead





Ranch B & C

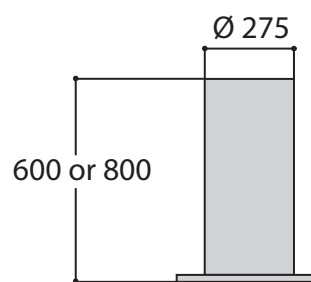
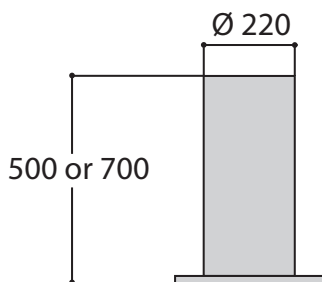
- Fixed bollards are used for permanent closure of entrances. Bolted to the ground, they block vehicle access to roads and offer protection for sensitive sites. These bollards can be integrated and combined with other automatic bollards of similar shapes and sizes. They have a class-2 type approved highly reflective adhesive strip.
- As standard, the finish is RAL7015. They are available with an LED light crown and are also available in a stainless steel finish.



RANCH B 500 or 700 x 220



RANCH C 600 or 800 x 275



TECHNICAL CHARACTERISTICS

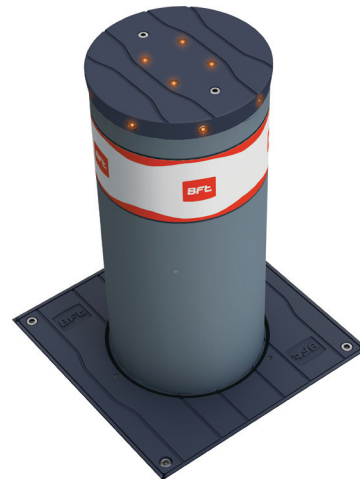
	RANCH B	RANCH B	RANCH C	RANCH C
Rod size	500mm x 220mm	700mm x 220mm	600mm x 275mm	800mm x 275mm
Rod thickness	3 mm	3 mm	3 mm	3 mm
Rod treatment	Cataphoresis	Cataphoresis	Cataphoresis	Cataphoresis
Surface finish	Powder painted RAL 7015 + rear-reflecting film H=100 mm	Powder painted RAL 7015 + rear-reflecting film H=100 mm	Powder painted RAL 7015 + rear-reflecting film H=100 mm	Powder painted RAL 7015 + rear-reflecting film H=100 mm
Fixing flange	Ø 340 mm steel, 5 mm thick	Ø 340 mm steel, 5 mm thick	Ø 340 mm steel, 5 mm thick	Ø 340 mm steel, 5 mm thick
Bollard fixing	With 3 fixing screws	With 3 fixing screws	With 3 fixing screws	With 3 fixing screws

Dampy B

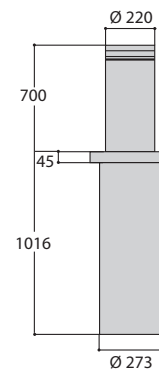
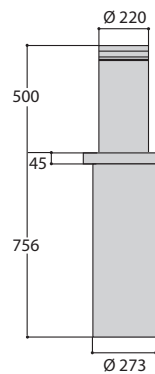
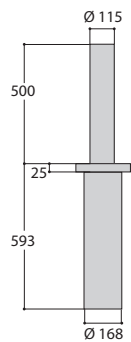
- These gas-spring operated rising bollards are designed to offer road access control at competitive prices and with an extremely simple method of operation. They are operated using special keys that are now used throughout Europe in public places. They are lowered at the press of a foot and are automatically locked into place at the bottom. Given their size and similar appearance, they can be used in mixed installations to cover wide entrances where other fixed, gas and automatic bollards are present. The models are grey painted RAL 7015 with light crowns (where applicable) and adhesive strip - the adhesive strip measures 220mm diameter x 100mm height.
- Models are available also with light crowns and in a stainless steel finish.



DAMPY B 500 x 115



DAMPY B 500 or 700 x 220



TECHNICAL CHARACTERISTICS

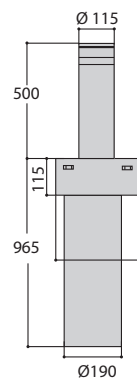
	DAMPY B 500mm x 115mm	DAMPY B 500mm x 220mm	DAMPY B 700mm x 220mm
Rod size	500mm x 115mm	500mm x 220mm	700mm x 220mm
Rod thickness	4 mm	6 mm	6 mm
Impact resistance	5,000 Joules	10,000 Joules	10,000 Joules
Break-in proof	30,000 Joules	60,000 Joules	60,000 Joules
Rod treatment	Cataphoresis	Cataphoresis	Cataphoresis
Rod movement	Internal gas spring	Internal gas spring	Internal gas spring
Lifting thrust	100 N	170 N	150 N
Surface finish	Grey paint RAL 7015 + rear-reflecting film	Grey paint RAL 7015 + rear-reflecting film	Grey paint RAL 7015 + rear-reflecting film
Rod locking	With triangle key	With triangle key or special mapping (security key)	With triangle key or special mapping (security key)

Stopy B

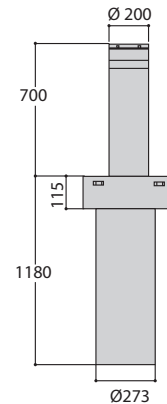
- Value for money and quality; these are the roots of the STOPPY B bollards. The result of a careful market survey looking into the assembly techniques and design details that led to the production of a simple bollard that responds to customer needs without neglecting the quality requirements that have always marked BFT products, all at a competitive price. STOPPY B comes in two models: STOPPY B 500 x 115, it has no light crown but is fitted with a reflective strip. STOPPY B 700 x 200 comes complete with an LED light crown and a reflective strip. RAL 7015 is the standard finish, they are also available in a stainless steel finish.
- Operated by PERSEO CBD dedicated control panel that can manage up to 4 bollards in parallel. Programming menu is achieved via the on-board LCD display. Contains an integrated heating element and built-in receiver.



STOPPY B 500 x 115



STOPPY B 700 x 200

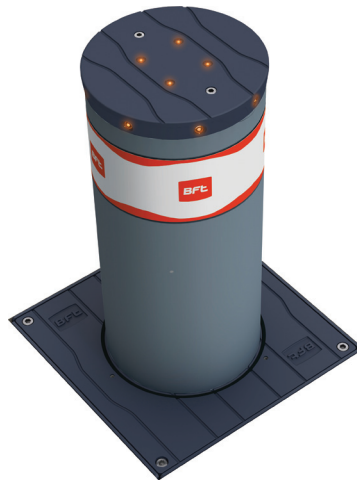


TECHNICAL CHARACTERISTICS

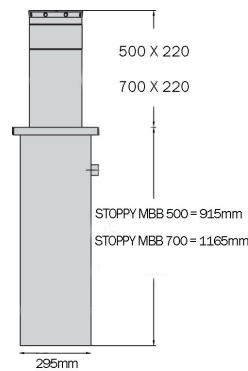
	STOPPY B 500mm x 115mm	STOPPY B 700mm x 200mm
Supply voltage	230v ± 1 0% 50/60 Hz	230V ± 1 0% 50/60 Hz
Hand operated	Manual	Manual
External control unit	External mod. Perseo CBD	External mod. Perseo CBD
Work type	500 movements/day	500 movements/day
Rising time	7 seconds	9 seconds
Protection rating	IP 67	IP 67
Impact resistance	6,000 Joules	6,000 Joules
Break-in proof	60,000 Joules	60,000 Joules
Operating temperature	- 20° C + 60° C	- 20° C + 60° C
Movement	With slow down on opening and closing	With slow down on opening and closing

Stopy MBB

- 230v AC electromechanical bollard with internal oil-bath gear motor. Stopy MBB is the ideal solution for a range of particular architectural and urban areas with specially designed colours and a new design for the floor flange and light crown. RAL 7015 is the standard finish, they are also available in a stainless steel finish.
- Designed to work in extreme conditions, with all metal parts treated with cathoporesis treatment and the new EPDM seal integrated in the flange and LED light crown which dramatically reduces the entry of waste materials into the bollard housing.
- PERSEO CBD control unit with menu programming on the display, automatic routine servicing warning, simultaneous management of up to 4 bollards, integrated receiver and integrated heating element.



STOPPY MBB

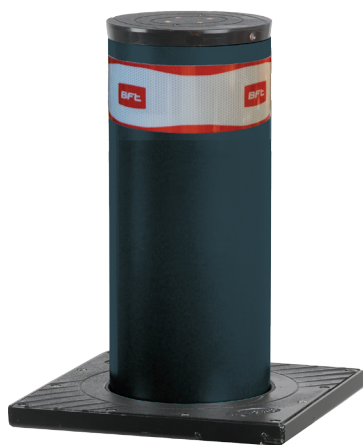


TECHNICAL CHARACTERISTICS

	STOPPY MBB 500mm x 220mm	STOPPY MBB 700mm x 220mm
Supply voltage	230V ± 1 0% 50/60 Hz	230V ± 1 0% 50/60 Hz
Hand operated	Spontaneous	Spontaneous
Control Panel	Perseo CBD	Perseo CBD
Approx number of operations	Intensive 1,500 movements/day	Intensive 1,500 movements/day
Rising time	6 seconds	9 seconds
Protection rating	IP 67	IP 67
Impact resistance	10,500 Joules	10,500 Joules
Break-in proof	150,000 Joules	150,000 Joules
Operating temperature	- 20° C + 60° C	- 20° C + 60° C
Movement	With slow down on opening and closing	With slow down on opening and closing

Pillar B

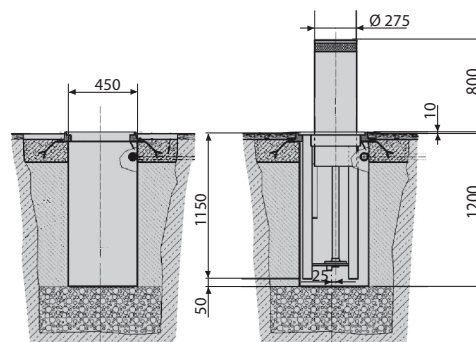
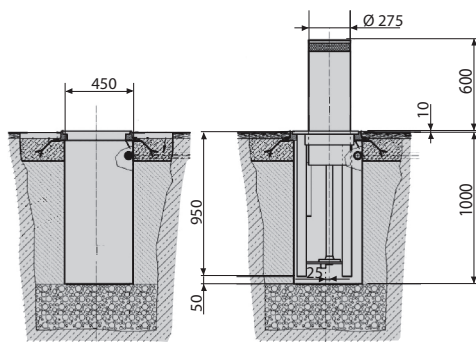
- 230V AC hydraulic bollard for very intensive use. Its size and technical characteristics make it particularly suitable, notably the special SD version that keeps the bollard raised in the event of a power failure, for installations which protect sensitive places (ministries, barracks, airports, access to buildings of particular importance, etc.). The standard version is suitable for public installations where the bollard must lower spontaneously, freeing the passage in the event of a power failure. Designed and built with the aim of simplifying maintenance thanks to the hydraulic pump located directly under the flange. Standard appearance is RAL7015, stainless steel is also available.
- PERSEO CBD control unit with menu programming on the display, automatic routine servicing warning, simultaneous management of up to 4 bollards, integrated receiver and integrated heating element.



PILLAR B 600 x 275



PILLAR B 800 x 275



TECHNICAL CHARACTERISTICS

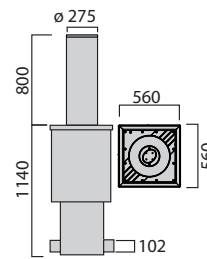
	PILLAR B 600mm x 275mm	PILLAR B 800mm x 275mm
Supply voltage	230V ± 1 0% 50/60 Hz	230V ± 1 0% 50/60 Hz
Hand operated	Spontaneous	Spontaneous
Control Panel	PERSEO CBD	PERSEO CBD
Approx number of operations	3000 movements a day, Intensive	3000 movements a day, Intensive
Rising time	5 seconds	6,5 seconds
Protection rating	IP 67	IP 67
Impact resistance	20,000 Joules	20,000 Joules
Break-in proof	250,000 Joules	250,000 Joules
Operating temperature	- 30° C + 60° C	-30° C + 60° C

X Pass B 800 x 275

→ XPass B 800 x 275 equivalent "anti-terrorism" bollard, based on reports by an accredited lab according to international standards ASTM2656:2007 M30 - PAS68:2010 7500/50/N2. Protection guaranteed with single bollard. Hydraulic with independent power pack with easy access and maintenance. Suitable for protecting sensitive sites thanks to the special "SD" version which keeps the bollard raised in the event of a power failure where as the standard version of the bollard lowers automatically when there is a power cut.



X PASS B 800 x 275

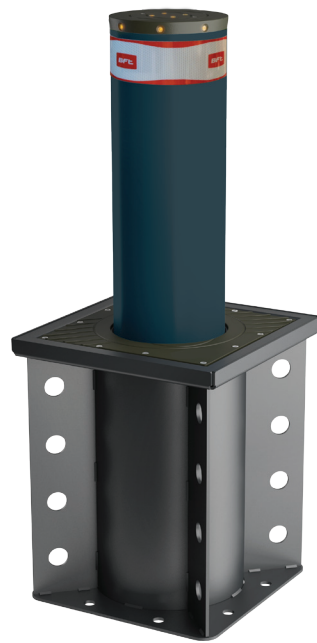


TECHNICAL CHARACTERISTICS

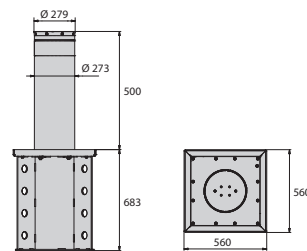
	XPASS B 800 x 275C L	XPASS B 800 x 275C L SD	XPASS B 800 x 275C LI	XPASS B 800 x 275C LI SD
Voltage	230V	230V	230V	230V
Rod thickness	10mm	10mm	10mm	10mm
Raise time	7 max sec.	7 max sec.	7 max sec.	7 max sec.
Lower time	4 sec.	4 sec.	4 sec.	4 sec.
Rod treatment	RAL 7015 painted steel and reflective film h: 100 mm	RAL 7015 painted steel and reflective film h: 100 mm	AISI 304 or AISI 316 stainless steel	AISI 304 or AISI 316 stainless steel
Control unit	Perseo CBD 230.P SD or Perseo CBE 230.P SD	Perseo CBD 230.P SD or Perseo CBE 230.P SD	Perseo CBD 230.P SD or Perseo CBE 230.P SD	Perseo CBD 230.P SD or Perseo CBE 230.P SD
Break-in proof	730,000 Joules	730,000 Joules	730,000 Joules	730,000 Joules
Frequency of use	2000 Op/day	2000 Op/day	2000 Op/day	2000 Op/day
Antiterrorism: reference standard	PAS 68:2010 7500/50/n2 crash simulated	PAS 68:2010 7500/50/n2 crash simulated	PAS 68:2010 7500/50/n2 crash simulated	PAS 68:2010 7500/50/n2 crash simulated
Manual cycle	Reversible in absence of voltage	Reversible by means of mechanical key with no power	Reversible in absence of voltage	Reversible by means of mechanical key with no power
Environmental condit.	From -40°C to 60 °C	From -40°C to 60 °C	From -40°C to 60 °C	From -40°C to 60 °C

Ranch D 800 x 275

→ Fixed bollard with “anti-terrorism” counterframe based on reports by an accredited lab according to international standards ASTM2656:2007 M30 - PAS68:2010 7500/50/N2. Suitable for protecting sensitive sites.



RANCH D 800 x 275



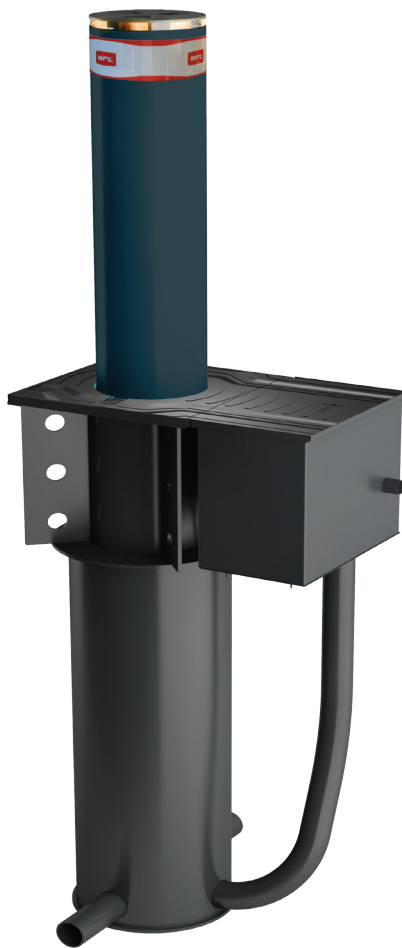
TECHNICAL CHARACTERISTICS

	RANCH D 800 x 275C L	RANCH D 800 x 275C LI
Rod height	800mm	800mm
Rod diameter	275mm	275mm
Rod thickness	10mm	10mm
Operator type	Fixed bollard	Fixed bollard
Rod treatment	RAL 7015 painted steel and reflective film h: 100 mm	AISI304 or AISI316 stainless steel
Break-in proof	730,000 Joules	730,000 Joules
Antiterrorism: reference standard	PAS 68:2010 7500/50/n2 crash simulated	PAS 68:2010 7500/50/n2 crash simulated

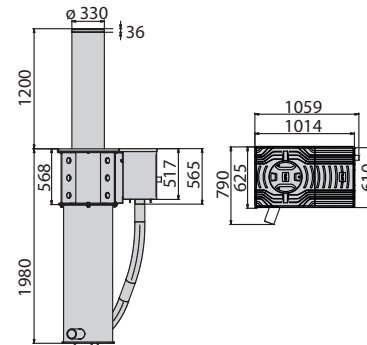
X Pass B 1200 x 330

→ X Pass B 1200 x 330 "anti-terrorism" bollard (crash tested) and certified by an accredited laboratory according to the latest international standards IWA14-1:2013 V/7200(N3C)/80/90 (equivalent PAS68:2010 7500/80/N3, ASTM2656:2007 M50). Protection guaranteed even with single bollard. Designed to lower after impact. Independent hydraulic power pack: in case of failure, the other bollards remain functional. If necessary, the bollard can be lowered manually using the special device and only by authorised personnel.

→ Anti-tampering kit as standard.



XPASS B 1200 x 330



TECHNICAL CHARACTERISTICS

	XPASS B 1200 x 330C L	XPASS B 1200 x 330C L ECD	XPASS B 1200 x 330C LI	XPASS B 1200 x 330C LI ECD
Voltage	230V	230V	230V	230V
Rod thickness	25mm	25mm	25mm	25mm
Raise time	5.3 max sec.	5.3 max (2.5 per emergency)sec.	5.3 max sec.	5.3 max (2.5 per emergency)sec.
Lower time	4 sec.	4 sec.	4 sec.	4 sec.
Rod treatment	RAL 7015 painted steel and reflective film h: 100 mm	RAL 7015 painted steel and reflective film h: 100 mm	AISI 304 or AISI 316 stainless steel	AISI 304 or AISI 316 stainless steel
Control unit	PERSEO CBE 230.P SD	PERSEO CBE 230.P SD	PERSEO CBE 230.P SD	PERSEO CBE 230.P SD
Break-in proof	2,100,000J	2,100,000J	2,100,000J	2,100,000J
Frequency of use	2000 Op/day	2000 Op/day	2000 Op/day	2000 Op/day
Antiterrorism: reference standard	IWA14-1:2013 v/7200 (n3c)/80/90 single bollard installation	IWA14-1:2013 v/7200 (n3c)/80/90 single bollard installation	IWA14-1:2013 v/7200 (n3c)/80/90 single bollard installation	IWA14-1:2013 v/7200 (n3c)/80/90 single bollard installation
Manual cycle	Reversible by means of mechanical key with no power	Reversible by means of mechanical key with no power	Reversible by means of mechanical key with no power	Reversible by means of mechanical key with no power
Environmental condit.	From -40°C to 60 °C	From -40°C to 60 °C	From -40°C to 60 °C	From -40°C to 60 °C





Bft, tuned to you

With Bft, your job gets easier.

Because we don't just create "good" products that work well.

Our thinking is beyond the short-term.

We are conceiving, designing and creating high-tech solutions that are as advanced and effective as they are reliable and long-lasting.

Because we want to provide tools and services that truly are innovative, that will improve your performance and enhance your skills and that will make your business easier, increasing its profitability.

Because our focus is on Quality with a capital Q.

We just won't settle for less.

Bft Automation UK Ltd (North)

Units C2-C3 The Embankment Business Park
Vale Road, Heaton Mersey, Stockport, SK4 3GL
Tel: 0161 456 0456
Fax: 0161 456 9090

www.bft.co.uk

Bft Automation UK Ltd (South)

Unit B, Aerial Business Park
Membury, Berkshire, RG17 7RZ
Tel: 01488 674 750
Fax: 01488 674 790

www.bft.co.uk

Bft Ireland

Unit D3 City Link Business Park
Old Naas Road, Dublin 12
Tel: 01 4564711
Fax: 01 4508337

www.bftautomation.ie

