

# franklite

## Standard Lamp with three Reflectors

SL239

In black ironwork, The reflectors are silver on the inside and each lamp has a small cover to avoid glare. There is a foot switch on the cable.

### Finish

Black / Silver

### Arrangement

3 Light

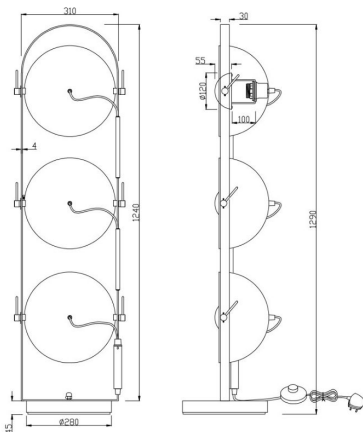
### Fixure Type

Standard Lamp



### Line Drawing Image

franklite  
SL238 / SL239



### Product Specifications

Insulation	: Class 2 - double insulation, no earth
Fire Restriction	: No restriction
IP Rating	: 20
Number of Lamps	: 3
Lamp cap	: E27
Lamp Code	: L268
Lamp Max	: 60 W
Lumens	: 2418
LED K	: 3000
Height	: 1280mm
Width	: 380mm
Stock Weight	: 7.96 kg

