

franklite

Campani 3lt Fitting

DP40023

Product Family

Campani

In chrome/satin nickel finish with clear edged acid glasses. Suitable for dimming if used with mains voltage halogen lamps. LED G9 lamps may be used but suitability for dimming will depend on the lamp and switch used.

Finish

Chrome / Satin Nickel

Arrangement

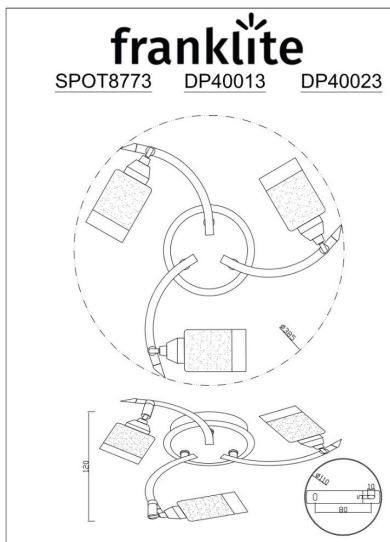
3 Light

Fixure Type

Ceiling Flush



Line Drawing Image



Product Specifications

Insulation	: Class 1 - single insulation, earthed
Fire Restriction	: No restriction
IP Rating	: 20
Number of Lamps	: 3
Lamp cap	: G9
Lamp Code	: L308
Lamp Max	: 33 W
Lumens	: 750
LED K	: 3000
Height	: 200mm
Stock Weight	: 1.00 kg
Diameter	: 600 mm
Dimmable	: Yes

