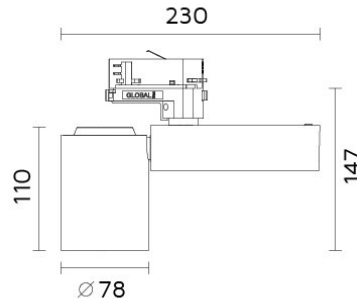


Coco Horizontal

6214

Coco Horizontal



Track Mounted Adjustable Spotlight for G8,5 CDM-TC MH lamps

- Light head: 350° rotation and up to 180° vertical tilting.
- 3 circuit universal track adaptor.
- Control gear housing and light head made of die cast aluminium.
- Superpure aluminium reflector.
- Safety glass included.
- Lamp source: 35W G8,5 CDM-TC Metal Halide (lamp not included).
- Optic: reflector beam angle: 25°.
- 220-240V 50/60Hz integral control gear is inclusive.
- Accepts optical accessories.
- Versions with LED COB package are available.
- Vertical versions are available.

For lamps Information refer to Osram or Philips or GE lamp data Index.

Accessories

(To be ordered separately)

Item	Code
Coloured Filters	2659
Reflector	2658
Honeycomb Louvre	2657

Specifications

Designed and manufactured to comply with European standard EN 60598.



Product code	Finish	Color temperature	CRI	Beam angle	Dim. options	Code
6214	11 - White 75 - Grey			25°		

Ordering code example : 6214 - _ _