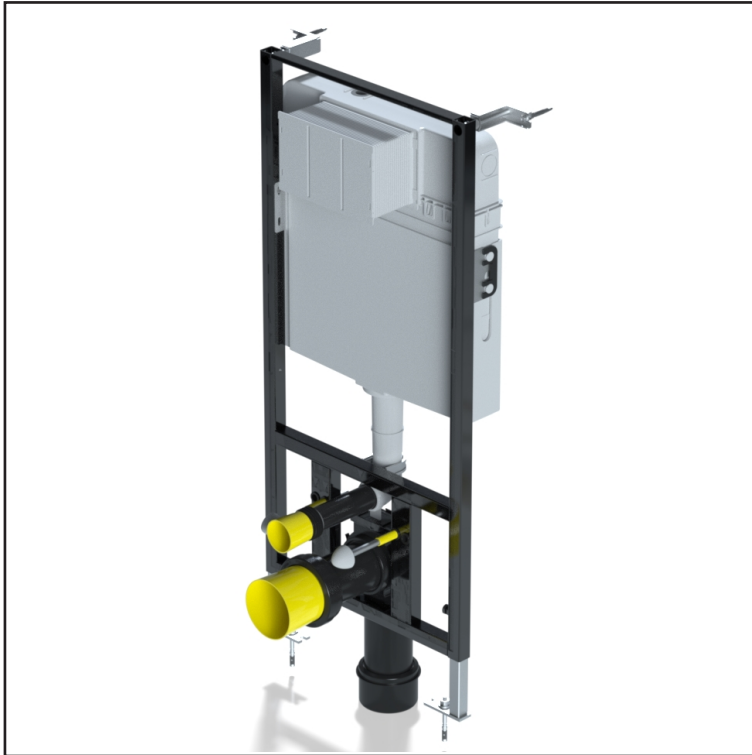


## T02-2113-0240



### APPLICATION PURPOSE

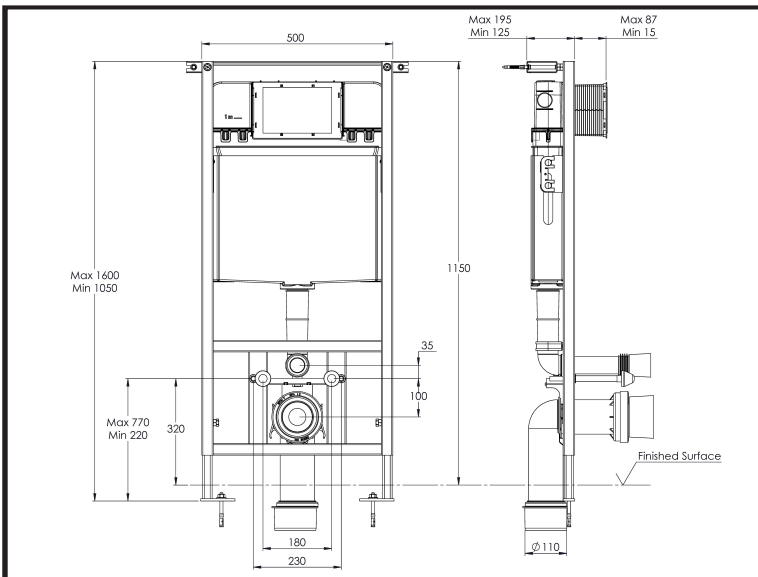
- Concealed cistern for dry processing
- For mounting in front of the wall and finishing with plasterboard
- For mounting behind an existing wall

### CHARACTERISTICS

- WC cistern with support frame
- Black powder coated frame
- Adjustable feet (55 cm)
- Dual flush 3/6 L
- Insulated against condensation
- Quiet hydraulic float valve
- Pre-installed stop valve
- Water connection 1/2"
- Wall fixation kit
- Front control
- Frame designed to carry max load of 400kg
- 10 years guarantee
- 25 years parts availability

### SCOPE OF DELIVERY

- WC connection kit
- Fixation materials
- Masonry aid
- Discharge elbow 90 mm with reducer to 110 mm
- Mounting instructions



### TECHNICAL DATA

Colour	black powder coated
Material frame	steel
Material tank	PP
Dimensions	500 x 1150 x 125-195 mm

### ARTICLE

Art. nr.	T02-2113-0240
EAN nr.	8681282615742
Units per box	1
Units per pallet	17