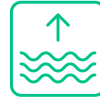




T1 Toilet packs Basic



Overflow prevention technology



No false flushes

The T1 Toilet pack consists of 2 sets: one for the structural work phase and one for the finishing phase

Contents rough installation set

(art.nr. 8050452734)

- Mounting frame

Contents finishing set (art.nr. 6055700231)

- Ceramic toilet with pre-mounted IPEE technology
- Duroplast softclose seat
- Stainless steel sensor plate
- 230V power supply

Ceramic

Series	Dome
Type	Standard sized toilet
Coating	Standard glazing
Flush type	Rimless
Specialties	With softclose toilet seat
Norms	EN 997, EN 33

Mounting frame

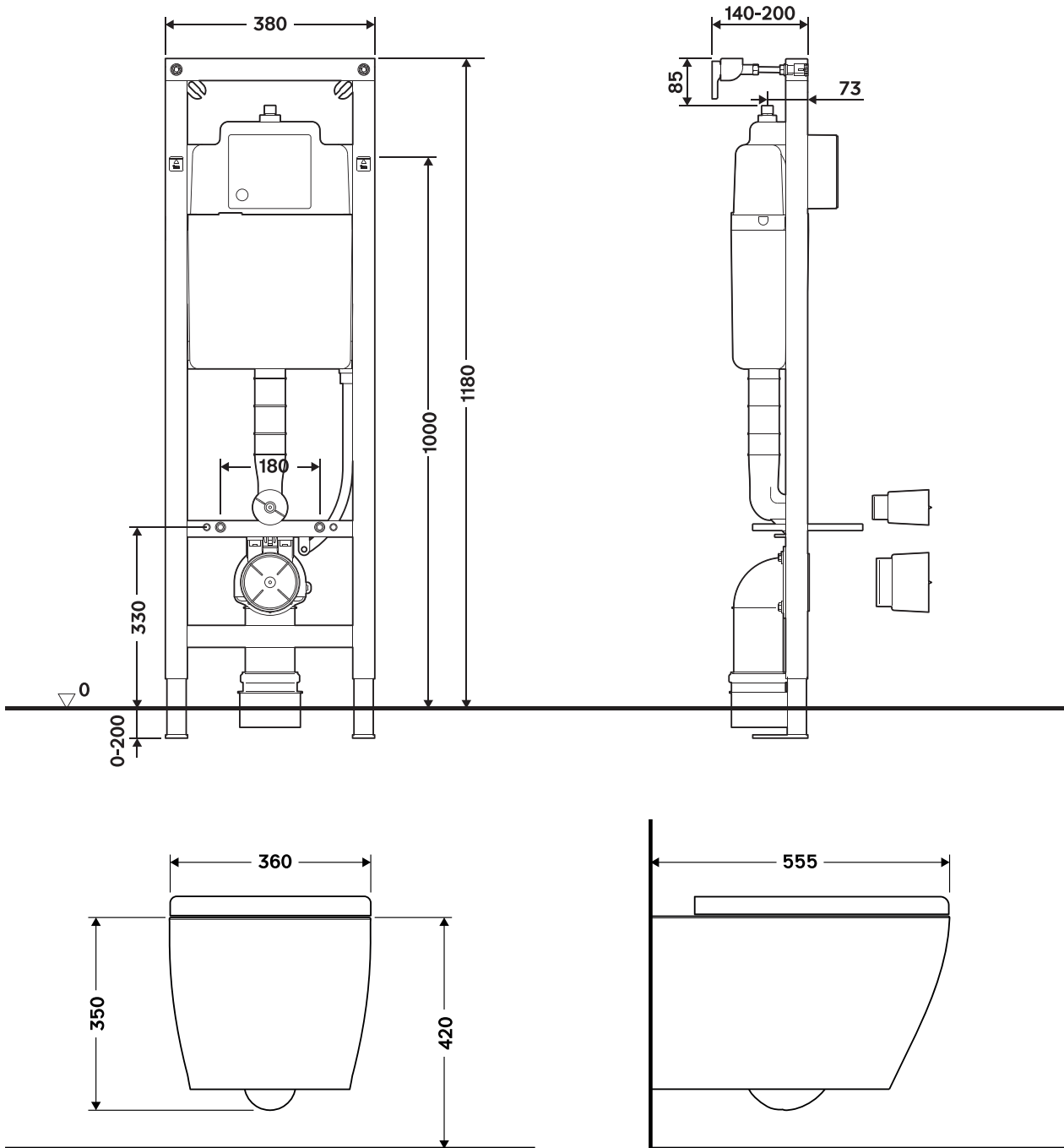
Flushing volume	6L
Height	1180 - 1380 mm
Width	380 mm
Depth	140 - 200 mm
Norms	EN 14055, NF D12-208

Technology

Sensor technology	IR + IPEE Spectre
Flushing volume	Single flush
Sensor plate	Stainless steel
Manual override detection	Yes
Overflow prevention	Yes
Power	230V
Norms	EN 61000-6-3

Order number

WISA x IPEE XS Toilet Frame	8050452734
T1 Toilet Pack Basic	6055700231



We reserve the right to make technical improvements and enhance the appearance of the products shown.