



Product Catalogue
2021



Fluidmaster® The #1 solutions brand in the world.

Product Range & Reach

Specification Specialists

Fluidmaster was founded on the innovation and provision of high-quality toilet flush solutions. With a strong history of design and repair, the brand was established in 1957 by inventor and entrepreneur Adolf Schoepe. Today, we continue to combine outstanding technology, superior engineering, exceptional efficiency, and world-class reliability, to ensure that our tailored product range surpasses current market requirements.

The Fluidmaster range expands across toilet installation and water management solutions for new build and the repair and maintenance sectors. With flush and fill valves, syphons, concealed and in wall cisterns, flush and fill kits, waste products and frames, Fluidmaster provide a 'one stop shop' solution.

Marketing more than 100 million toilet repair parts annually we sell more toilet cistern replacement valves than any other manufacturer in the world.

We're proud of our worldwide reputation, and with over 60 years in business, our global distribution network now services over 90 countries and reaches 80% of the world's population.

As part of an integrated bathroom and washroom solution, our specification department can work with you across a broad range of industry sectors. Fulfilling specifications across private and public, commercial and domestic markets. Fluidmaster products are renowned for quality and functionality.

Our knowledgeable team work alongside specifiers to ensure the best solutions and installations are achieved for you and your projects.

From commercial washroom refurbishment to large scale new build developments, we are on hand to manage the selection and installation of your Fluidmaster products from concept to completion and beyond for maintenance requirements.

Fluidmaster products are compatible with virtually every kind of cistern; ideal for specification, quick, easy installation or retrofit.

Setting the Standard for Market Leading Technology

Incorporating a broad range of flush, fill and cistern options, our extensive portfolio is renowned for consistent reliability, valve technology progression and unparalleled quality assurance. As the market leading brand, we believe that innovation is key. Our dedicated NPD team focuses on new product design and development, setting the bar for advancement in water management technology.

All our products adhere to relevant British Standards and water regulations. In addition, our water saving AirGap 6000 fill valve can be utilised in building design schemes, to help achieve relevant BREEAM credits.

Contents

4	Smart Sanitaryware
16	Cisterns
20	Frames
26	Syphons
28	Fill & Flush Kits
30	Fill Valves
34	Flush Valves
36	Glossary of sample specifications



Resources

Please use hyperlink below to take you to our resources page on the website. This contains various downloads and technical information plus a link to the CPD.

<https://fluidmaster-airgap.com/resources/>



Videos & Blog

The video page and blog also contain useful content.

<https://fluidmaster-airgap.com/videos/>

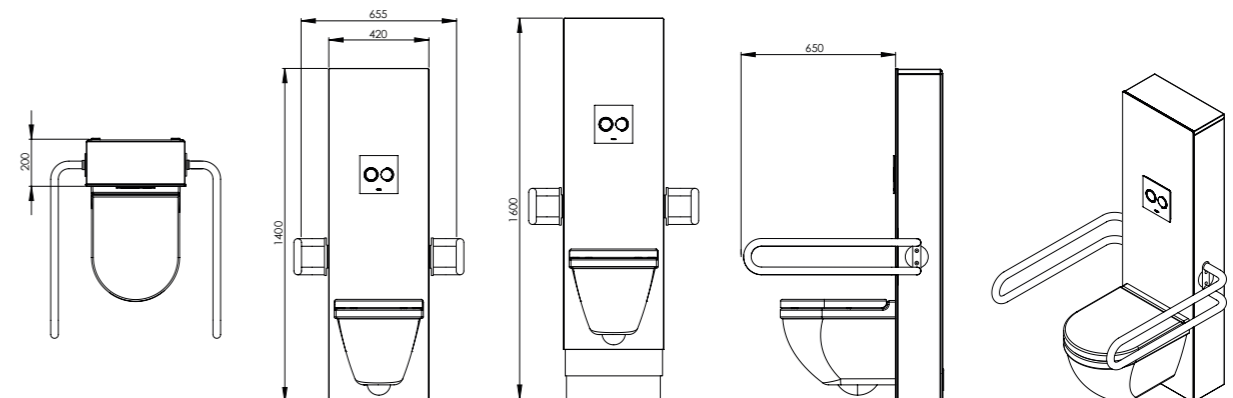
<https://fluidmaster-airgap.com/blog>

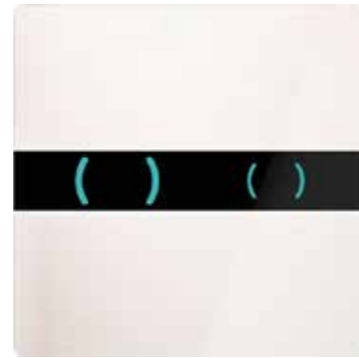


WISA XS WC VARIOTRONIC

- Properties**
- A pre-wall system, electrically height adjustable and equipped with a XS cistern
 - Blue powder coated frame
 - Electronically height-adjustable toilet lift (200 mm (minus 20 mm and plus 180 mm))
 - Designed for standard wall hung closets
 - Minimum height of the wall-hung water closet (top of the rim) is 380 mm
 - Maximum height of the wall-hung water closet (top of the rim) is 580 mm
 - The WC cistern is so narrow that it is easy to maneuver with a wheelchair next to it
 - Wheelchair transfer is possible i.c.w. a standard wall-hung toilet
 - Servicing and maintenance via the side
 - Static load up to 400 kg
 - People up to 180 kg can be raised
 - Mains voltage 230V ~ / 50-60 Hz
 - Expandable with any XS control panel, mechanical, pneumatic or electronic. Wisa tronic panel enables to leave the toilet or sanitary room without manual flushing. In the app you can activate an automatic flush.
 - Optional: The front of the element can be selected in HPL (standard color white) or in safety glass (color black or white)
 - Optional folding support handles are also available in black or white
 - Flushpipe, fittings and pan seal included

Part Number	8050482101
EAN Code	8711778200746
Packaging	5 pcs/Pallet

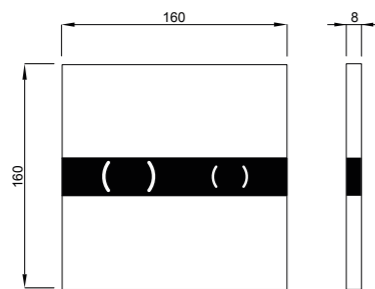




XS Control Panel EOS DF ABS

- Product Details**
- Hygienic contactless rinsing solution by means of infrared technology
 - Control panel made of high-quality ABS
 - Change settings with WISA TRONIC App
 - Dual flush 3/6 L
 - Suitable for WISA XS concealed cisterns
 - Dimensions: 160 x 160 mm
 - Including clamp with servo motor
 - Excluding power supply
The following power supplies are possible
 - Built-in adapter
 - Plugin power adapter
 - Battery module
 - Hydrogenerator

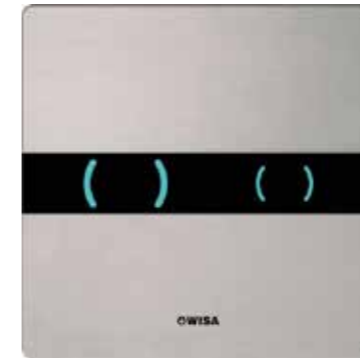
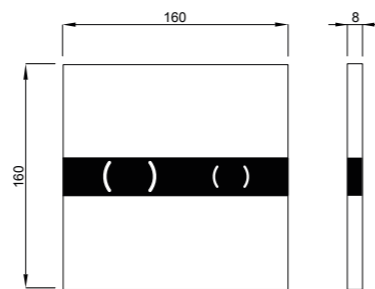
Part Number	8050419811
EAN Code	8711778197640
Material	ABS
Colour	White
Packaging	Box 12



XS CONTROL PANEL EOS DF GLASS

- Product Details**
- Hygienic contactless rinsing solution by means of infrared technology
 - Change settings with WISA TRONIC App
 - Control panel made of tempered glass
 - Dual flush 3/6 L
 - Suitable for WISA XS concealed cisterns
 - Dimensions: 160 x 160 mm
 - Floating impression by shadow gap
 - Excluding power supply
The following power supplies are possible
 - Built-in adapter
 - Plugin power adapter
 - Battery module
 - Hydrogenerator

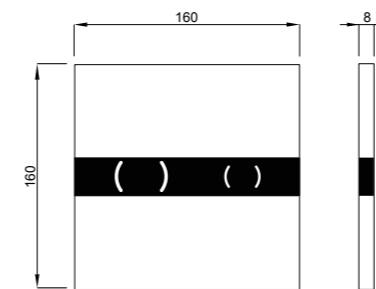
Part Number	8050419821	8050419638
EAN Code	8711778197657	8711778197664
Material	Glass	Glass
Colour	White	Black
Packaging	Box 12	Box 12



XS Control Panel EOS DF Steel

- Product Details**
- Hygienic contactless rinsing solution by means of infrared technology
 - Change settings with WISA TRONIC App
 - Control panel made of stainless steel
 - Dual flush 3/6 L
 - Suitable for WISA XS concealed cisterns
 - Dimensions: 160 x 160 mm
 - Floating impression by shadow gap
 - Including clamp with servo motor
 - Excluding power supply
The following power supplies are possible
 - Built-in adapter
 - Plugin power adapter
 - Battery module
 - Hydrogenerator

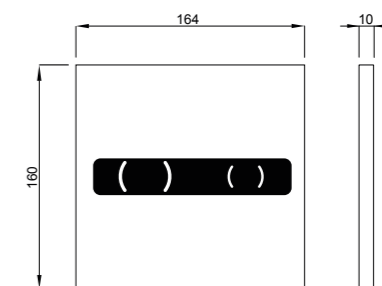
Part Number	8050419640
EAN Code	8711778197671
Material	stainless steel
Packaging	Box 12



XS CONTROL PANEL EOS SV DF

- Product Details**
- Hygienic contactless rinsing solution by means of infrared technology
 - Change settings with WISA TRONIC App
 - Control panel made of stainless steel
 - Dual flush 3/6 L
 - Suitable for WISA XS concealed cisterns
 - Dimensions: 164 x 160 mm
 - Semi vandal proof
 - Suitable for (semi) public spaces
 - Interchangeable impact-resistant plastic window
 - Lockable by means of countersunk screw
 - Including clamp with servo motor
 - Excluding power supply
The following power supplies are possible
 - Built-in adapter
 - Plugin power adapter
 - Battery module
 - Hydrogenerator

Part Number	8050505601
EAN Code	8711778198944
Material	stainless steel
Packaging	Box 12

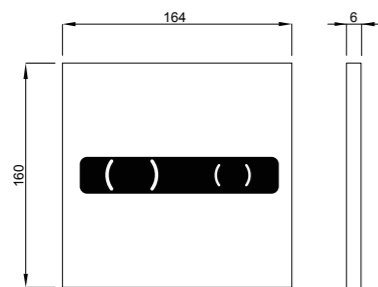




XS CONTROL PANEL EOS SV DF

Product Details	<ul style="list-style-type: none"> Hygienic contactless rinsing solution by means of infrared technology Change settings with WISA TRONIC App Control panel made of stainless steel Dual flush 3/6 L Single flush 6 L Suitable for WISA XS concealed cisterns Dimensions: 160 x164 mm Vandal proof Suitable for (semi) public spaces Interchangeable impact-resistant plastic window Lockable by means of countersunk screw Including clamp with servo motor Excluding power supply The following power supplies are possible <ul style="list-style-type: none"> Built-in adapter Plugin power adapter Battery module Hydrogenerator
------------------------	--

Part Number	DF 8050419650	SF 8050419655
EAN Code	8711778197688	8711778197695
Material	stainless steel	
Packaging	Box 12	



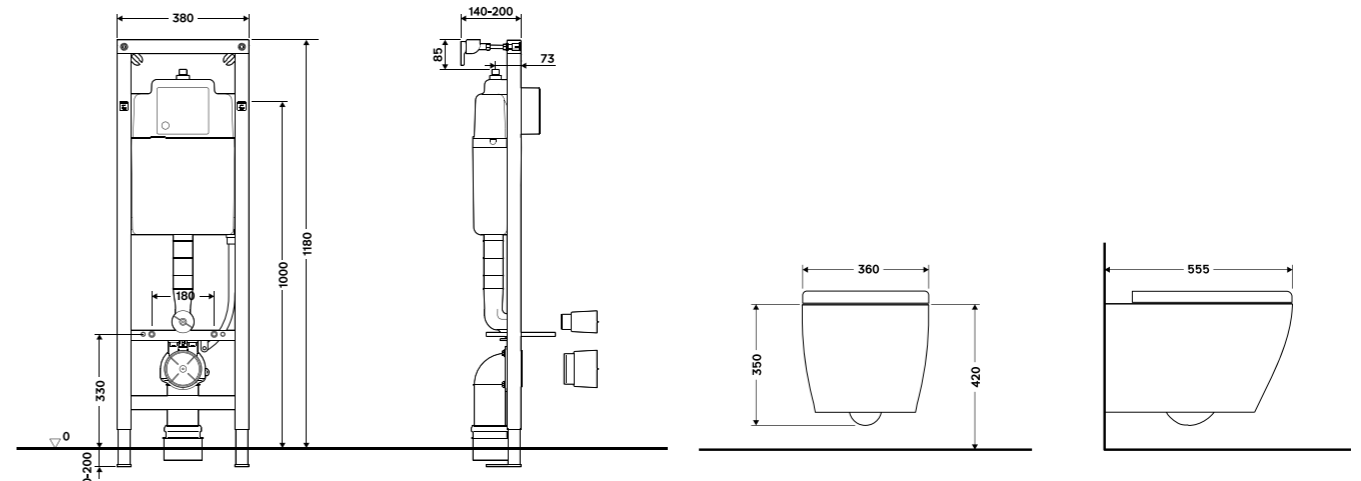
Fluidmaster's smart toilets include infrared sensor technology that detect toilet usage. This detection allow the prevention of toilets flushing unattendedly reacting to random movement by monitoring water levels and concentration preventing water wastage. Only when the sensors detect a person has moved away from the area will the toilet flush automatically. The sensors also detect blockages and prevent toilet overflow. Ideal for any commercial or domestic environment where hygiene and sustainability are important.

T1 Toilet Pack Basic

Product Details	Toilet Dome + IR & Spectre flushing system
Part Number	6055700231
Series	Dome
Type	Standard sized toilet
Coating	Standard glazing
Flush Type	Rimless
Specialities	With softclose toilet seat
Norms	EN 997, EN 33
Sensor Technology	IR + IPEE Spectre
Flushing Volume	Single flush
Sensor Plate	Stainless steel
Manual Override Detection	Yes
Overflow Prevention	Yes
Power	230V
Norms	EN 61000-6-3



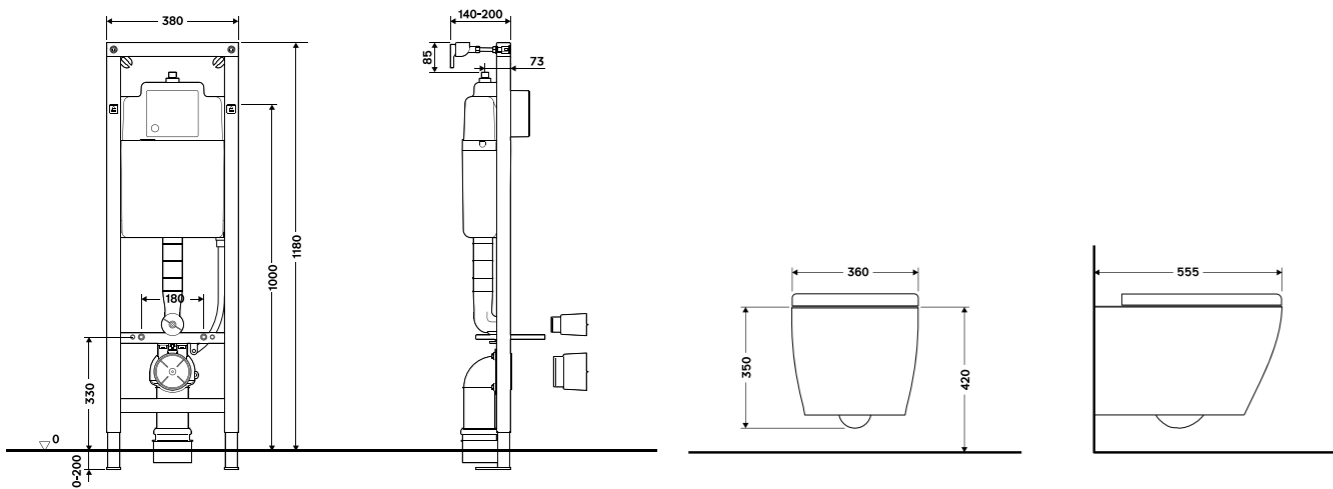
Mounting Frame Required
WISA x IPEE toilet frame XS Front 118cm (# 8050452734)



T3 Toilet Pack Plus

Product Details	Toilet Dome + IR & Spectre flushing system
Part Number	6055700233
Series	Dome
Type	Standard sized toilet
Coating	Standard glazing
Flush Type	Rimless
Specialities	With softclose toilet seat
Norms	EN 997, EN 33
Sensor Technology	IR + IPEE Spectre
Flushing Volume	Dual flush
Sensor Plate	Stainless steel
Manual Override Detection	Yes
Overflow Prevention	Yes
Power	230V
Norms	EN 61000-6-3

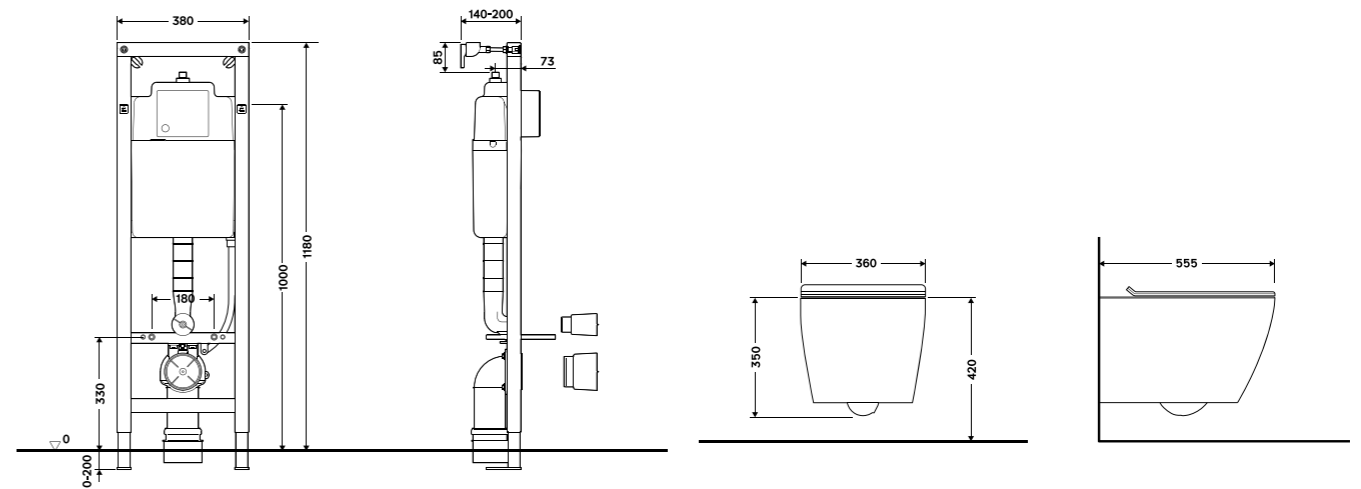
Mounting Frame Required
WISA x IPEE toilet frame XS Front 118cm (# 8050452734)



T5 Toilet Pack Premium

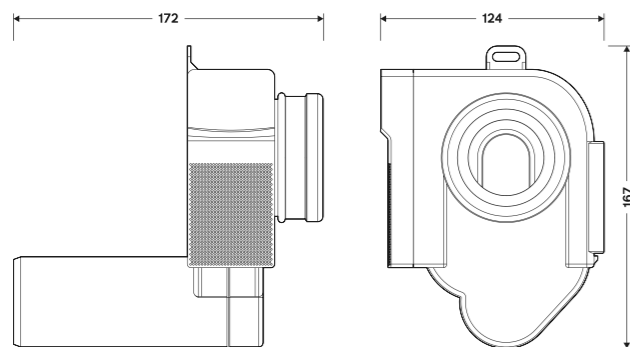
Product Details	Toilet Dome + IR & Spectre flushing system
Part Number Black	6055700238
Part Number White	6055700201
Series	Dome
Type	Standard sized toilet
Coating	Standard glazing
Flush Type	Rimless
Specialities	With slim softclose toilet seat
Norms	EN 997, EN 33
Sensor Technology	IR + IPEE Spectre
Flushing Volume	Dual flush
Sensor Plate	Glass
Manual Override Detection	Yes
Overflow Prevention	Yes
Power	230V
Norms	EN 61000-6-3

Mounting Frame Required
WISA x IPEE toilet frame XS Front 118cm (# 8050452734)

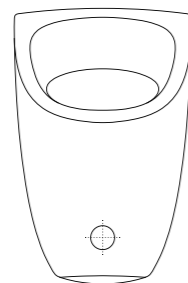
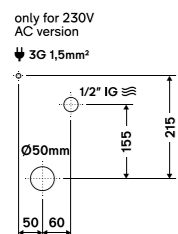


Vortex Flushing System

Part Number 230v	6055700090
Part Number 6v	6055700091
Sensor Technology	IPEE Vortex
Flushing Volume	Adjustable: 0,8L - 1,5L - 3,0L
Overflow Prevention	Yes
Stadium Mode	No
Installation	Hidden
Norms	EN 274, EN 61000-6-3, EN 15091



Water supply
Power Supply

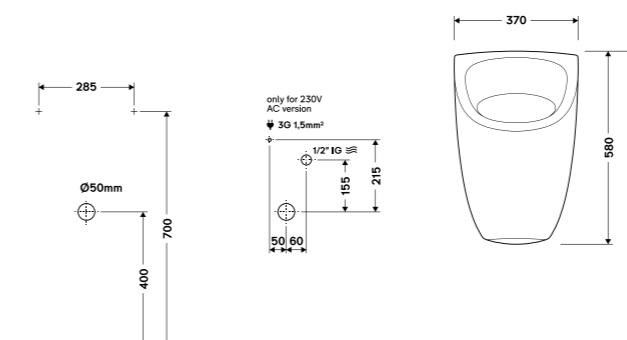
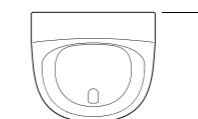


U1 Urinal Pack Basic

Series	Edge
Flush Type	Rim flush
Norms	EN 13407, EN80
Product Details	Urinal Edge + Mini flushing system
Part Number 230v	6055700082
Part Number 6v	6055700083
Sensor Technology	IPEE Mini
Flushing Volume	Adjustable: 0,8L - 1,5L - 3,0L
Overflow Prevention	Yes
Stadium Mode	Yes
Manual override button	Yes
LED feedback	No
Installation	Hidden
Norms	EN 274, EN 61000-6-3, EN 15091

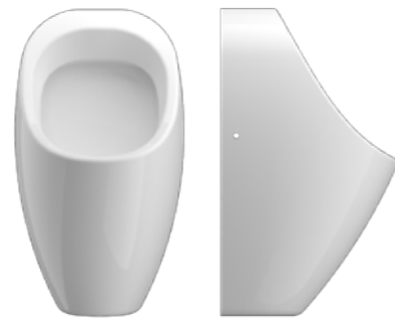


Position of fixing points
Water supply
Power Supply

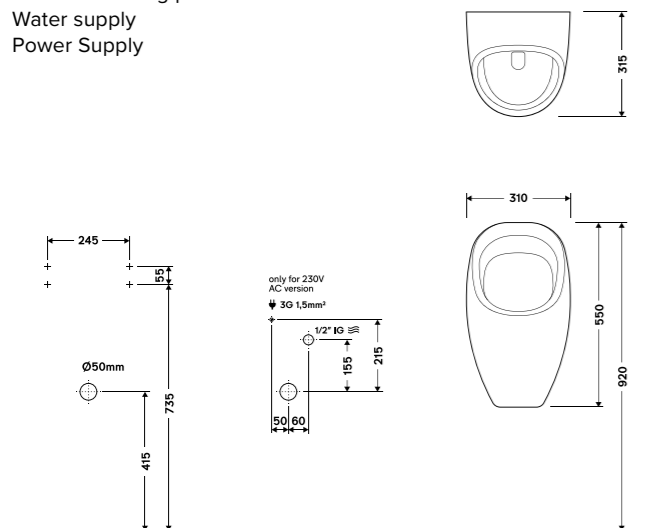


U3 Urinal Pack Plus

Series	Dome
Coating	Hydrophobe+ glazing
Flush Type	Rim flush
Norms	EN 13407, EN80
Product Details	Urinal Dome + Vortex flushing system
Part Number 230v	6055700084
Part Number 6v	6055700085
Sensor Technology	IPEE Vortex
Flushing Volume	Adjustable: 0,8L - 1,5L - 3,0L
Overflow Prevention	Yes
Stadium Mode	No
Manual override button	Yes
LED feedback	No
Installation	Hidden
Norms	EN 274, EN 61000-6-3, EN 15091

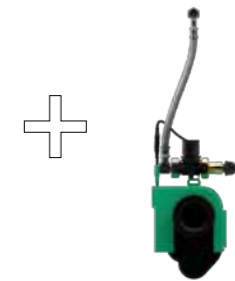


Position of fixing points
Water supply
Power Supply

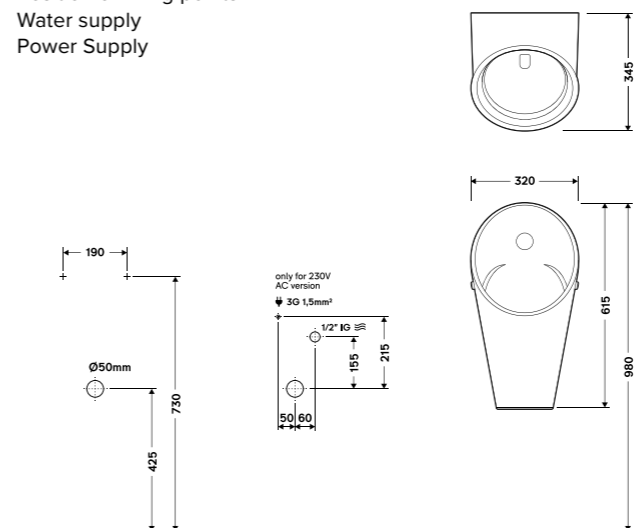


U5 Urinal Pack Premium

Series	Conic
Coating	Hydrophobe+ glazing
Flush Type	Rimless + spreader
Specialties	LED spreader
Norms	EN 13407, EN80
Product Details	Urinal Conic + Vortex flushing system
Part Number 230v	6055700086
Part Number 6v	6055700087
Sensor Technology	IPEE Vortex
Flushing Volume	Adjustable: 0,8L - 1,5L - 3,0L
Overflow Prevention	Yes
Stadium Mode	No
Manual override button	Yes
LED feedback	Yes
Installation	Hidden
Norms	EN 274, EN 61000-6-3, EN 15091



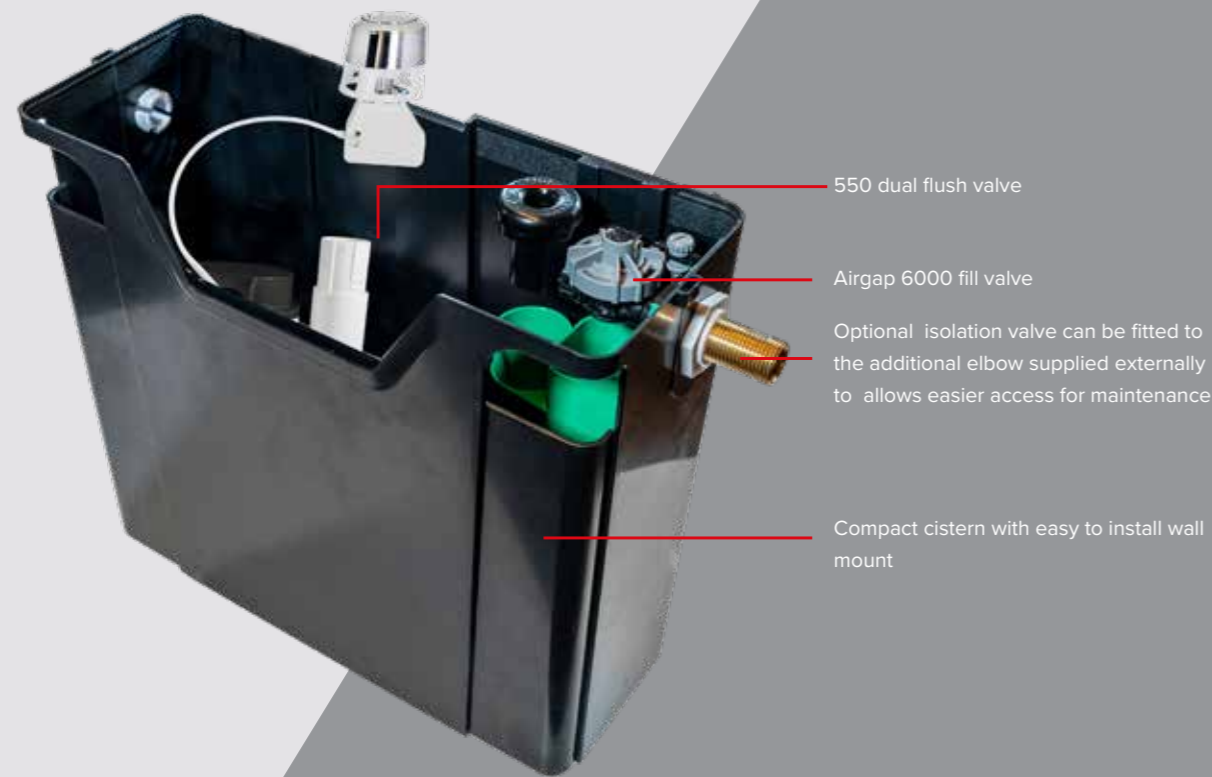
Position of fixing points
Water supply
Power Supply



Cisterns

We offer a range of concealed and pre-assembled, easy install cisterns which can be used across all installation circumstances.

Our compact, pre-assembled cistern is now supplied with a water-saving AirGap 6000 cistern fill valve, in addition to a high-performance, twist and release flush valve. The whole unit comes ready to install; with a unique snap and release mechanism for easy maintenance.

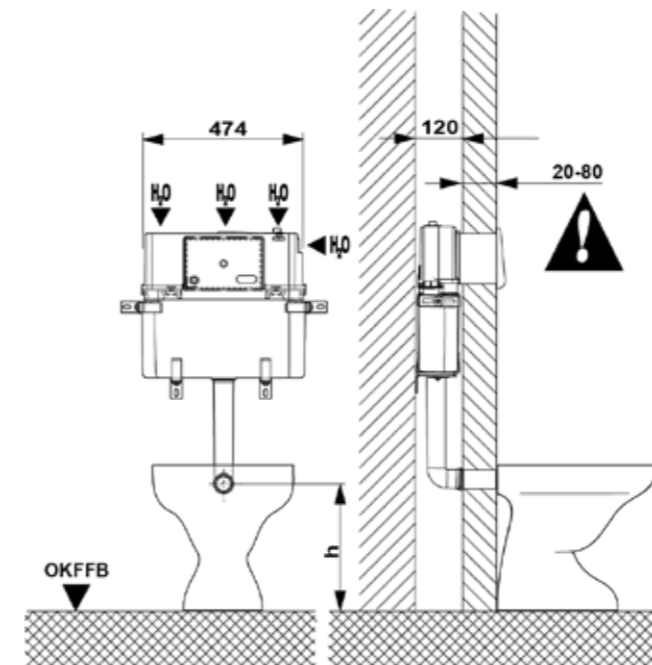


Cisterns

UP 189

Installation Method	pre-wall installation or installation in a solid wall
Properties	<ul style="list-style-type: none"> material PE-HD front activation start-stop flushing or dual flushing (large flush 5 / 6 / 7 liter, small flush 3 / 4 liter), insulation against condensation silent filling valve water connection on top left / middle / right, from right side built-in depth 120 mm
Product Contains	<ul style="list-style-type: none"> angle valve DN 15 and preassembled water connection --on top right flush pipe L=300 mm mounting brackets complete installation and fixing materials
Part Number	469-1081
Packaging	Packaging: 36 Pcs. / Palett

Flushing plate needs to be ordered separately



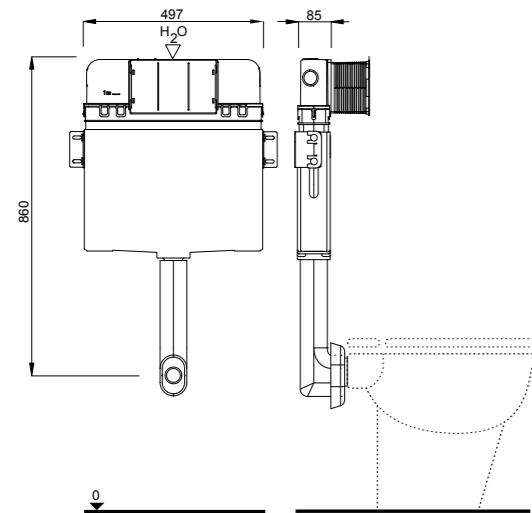
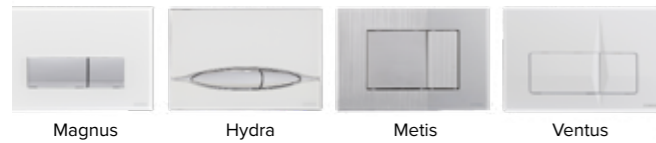
Cisterns

UP 199

Installation Method	Pre-wall installation or installation into a solid wall
Properties	<ul style="list-style-type: none"> UP 199 concealed cistern Frontal flushing, for dual flushing (3/6 L) Flush volume adjustable (large flush 4-7 L, small flush 2-3 L) Water connection - top center Fully insulated against condensation
Special Features	<ul style="list-style-type: none"> Quiet Hydraulic Fill valve (Noise class 1 ISO 3822)
Product Contains	<ul style="list-style-type: none"> Concealed cistern equipped with pre-installed stop valve – top center Water connection 1/2" Flush pipe L=300 mm Plaster net Complete installation and fixing material
Part Number	T02-0130-0250
EAN Code	8681282615087
Packaging	30 Pcs./Pallet

Flushing plate needs to be ordered separately

Matching Flushing Plates



Compact Concealed Cisterns

	Compact Pre-Assembled Cistern Including Elbow & Isolation Valve
Properties	<ul style="list-style-type: none"> Easy install mounting bracket enables easy, fast installation and removal Captive lid enables front and top access for easy maintenance Specially designed moulded elbow facilitates bottom, side and top water supply Suitable for modern narrow 500mm furniture
Product Contains	<ul style="list-style-type: none"> FLUIDMASTER® 2" outlet high performance dual flush valve with 550mm long cable 'Twist & Release' flush valve enables easy maintenance 'Click & Release' cable release enables easy access Water saving 6/4 litre dual flush, adjustable to 4.5/3 litre dual flush Flushpipe, fittings and pan seal included Water saving fill valve. Brass shanked, quiet fill votex, eliminates backflow, BS1212-4 compliant
Part Number	
EAN Code	
Packaging	Carton boxed



Frames



Fluidmaster toilet frame solutions are available for both pre-wall installation or installation into a solid wall; making them suitable for refurbishment and new build scenarios.

All frames contain a concealed cistern featuring single or multiple water connection options, a pre-installed stop valve for ease of fitting and a choice of top or frontal dual flushing.

The blue powder coated frames feature pre-assembled wall brackets, adjustable feet and pre-assembled cisterns, which minimise fitting time for quick installation.

All cisterns contain Airgap 6000 fill valve and 500 flush valve

Water saving silent operation. Fully insulated for long lasting performance.

Easy installation without using tools.

10 year guarantee.

25 years of replacement parts

Support legs equipped with brake and rotating plate

The WC Frame must contain a concealed cistern featuring single or multiple water connection options, a pre-installed stop valve for ease of fitting and a choice of top or frontal dual flushing. The Concealed Cistern must contain a Flush Valve and Fill Valve as detailed below.

The Flush Valve must have the following features:

- a Dual Flush Option with adjustable full and partial flush volumes
- Will suit 1.5" and 2" cistern outlet sizes
- 550mm Cable Length for front mounted concealed applications
- Button will fit from 19mm to 40mm hole
- Internal Overflow with adjustable height
- Quick release button connection
- Valve body to base twist and release action allows for quick and easy maintenance
- Small Footprint - L 120mm x W 80mm x H 210mm
- Recommended Torque for back nut is 6Nm - 10Nm - (Approx . Hand tight plus up to 3/4 Turn)

The Fill Valve must have the following features:

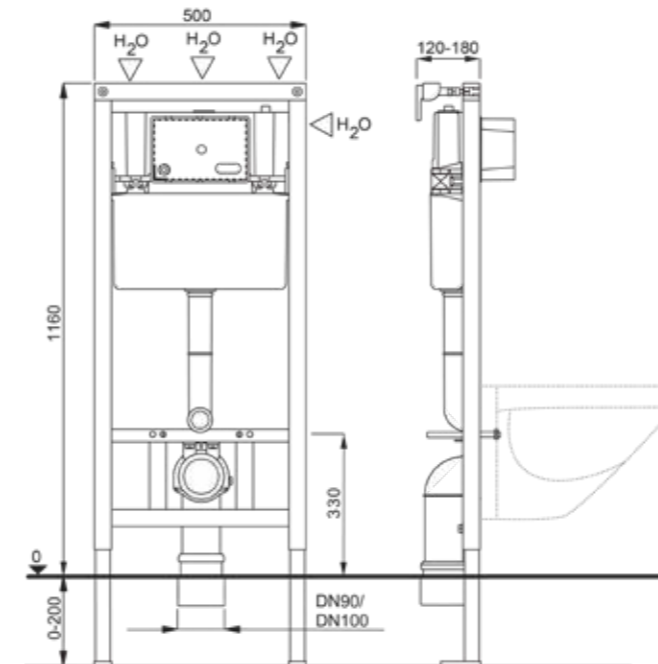
- be a delay fill type.
- The Fill Valve must also have an airgap to eliminate any backflow.
- The working Pressure must be from 0.1 bar to 10bar mains water pressure
- Quiet filling - Noise level below 60db (Normal conversion 60-70db)
- The Fill Valve must include pressure restrictors to control flow rates
- Removable filtration - Comb filter/Pressure Restrictor fitted into tail
- Inlet Thread —1/2" BSP to suit tap connector
- The Fill Valve will be made from Recyclable Materials
- The Fill Valve must comply with BS1212-04 Standards
- The Fill Valve will carry a standard 5 year warranty

Frames

Duplo WC 189

Installation Method	Installation in prefabricated walls, pre-wall installation in dry walls, universal installation into solid walls
Properties	<ul style="list-style-type: none"> • Supporting, blue powder coated WC element, square profile 40x40 mm with preassembled 189 UP concealed cistern • Frontal flushing, for start-stop (6 L) or dual flushing (3/6 L) • Flush volume adjustable (large flush 5/6/7 L, small flush 3/4 L) • Pre-assembled wall brackets and adjustable feet (0-200 mm) • Water connection possibility on four positions • Fully insulated against condensation
Special Features	<ul style="list-style-type: none"> • Quiet Mechanical Fill valve (Noise class 1 ISO 3822) • Depth adjustable drain elbow (+/-20 mm)
Product Contains	<ul style="list-style-type: none"> • Concealed cistern equipped with pre-installed stop valve – top right • Water connection 1/2" • PE drain elbow Ø 90 mm with seal • PE adapter Ø 90 / 110 mm with seal • Complete installation and fixing material
Part Number	674522
EAN Code	3838912061249
Packaging	12 Pcs./Pallet

Flushing plate needs to be ordered separately



Matching Flushing Plates



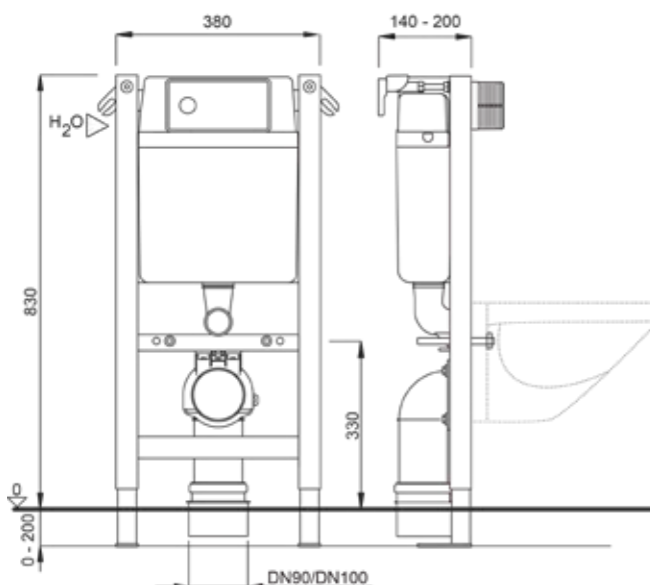
Duplo 387 83cm

Installation Method	For pre-wall installation
Properties	<ul style="list-style-type: none"> Supporting, blue powder coated WC element, square profile 40x40 mm with pre-assembled 387 UP concealed cistern Top or frontal flushing, dual flushing (3/6 L) Flush volume adjustable between 6 and 7.5 L Pre-assembled wall brackets and adjustable feet (0-200 mm) Water connection – on the left side Fully insulated against condensation
Special Features	<ul style="list-style-type: none"> Quiet Hydraulic Fill valve (Noise class 1 ISO 3822) Suitable for pneumatic and mechanical flushing plates Depth adjustable drain elbow (+/-20 mm)
Product Contains	<ul style="list-style-type: none"> Concealed cistern equipped with pre-installed stop valve – on the left side Water connection 1/2" PE drain elbow Ø 90 mm with seal Eccentric PE adapter Ø 90 / 110 mm with seal Complete installation and fixing materials
Part Number	4060453003
EAN Code	8711778213654
Packaging	32 Pcs./Pallet



Flushing plate needs to be ordered separately

Matching Flushing Plates



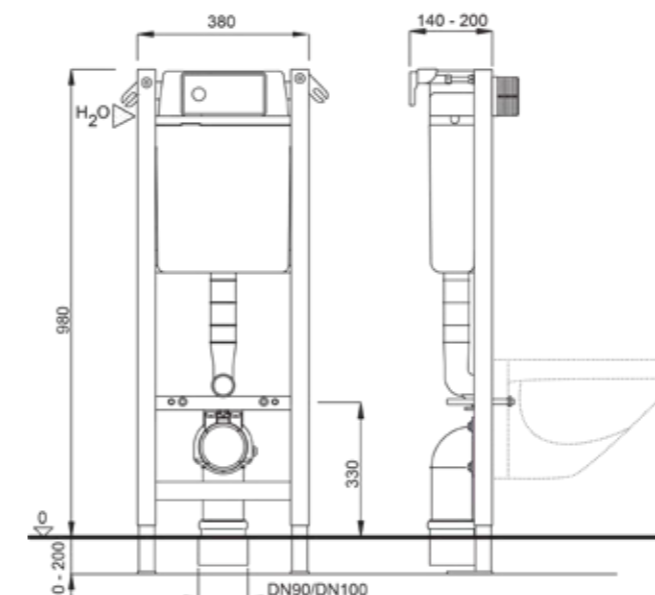
Duplo 387 98cm

Installation Method	For pre-wall installation
Properties	<ul style="list-style-type: none"> Supporting, blue powder coated WC element, square profile 40x40 mm with pre-assembled 387 UP concealed cistern Top or frontal flushing, dual flushing (3/6 L) Flush volume adjustable between 6 and 7.5 L Pre-assembled wall brackets and adjustable feet (0-200 mm) Water connection – on the left side Fully insulated against condensation
Special Features	<ul style="list-style-type: none"> Quiet Hydraulic Fill valve (Noise class 1 ISO 3822) Suitable for mechanical, pneumatic or electronic flushing plates Depth adjustable drain elbow (+/-20 mm)
Product Contains	<ul style="list-style-type: none"> Concealed cistern equipped with pre-installed stop valve – on the left side Water connection 1/2" PE drain elbow Ø 90 mm with seal Eccentric PE adapter Ø 90 / 110 mm with seal Complete installation and fixing materials
Part Number	4060453002
EAN Code	8711778213647
Packaging	20 Pcs./Pallet



Flushing plate needs to be ordered separately

Matching Flushing Plates





All-in-one Wall Hung WC Installation Pack

Size	590H x 590W x 390D
Weight	36kg
Product Contains	<ul style="list-style-type: none"> • Frame • Pan • Seat • Push plate • Fitting Template
Part Number	PK380A
EAN Code	5011629022675



Fluidmaster 380 frame
Water saving cistern flushing 6/3l
Easy Install - fully adjustable.
Universal fitting



High Gloss dual flush plate
Attractive modern design
Dimensions 160mm x 160mm



Soft close toilet seat
Premium soft-close design
Stainless steel hinges

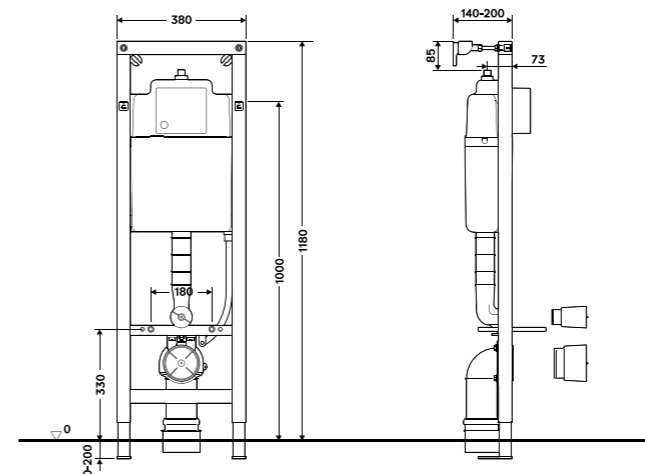


Premium wall hung pan
Contemporary
Easy clean wall mounted design

Silencing Kit & Installation accessories
Everything you need for a complete professional installation

WISA x IPEE Toilet Frame

Part Number	8050452734
Product Details	XS FRONT 118cm
Type	Pre-assembled WC element in self-supporting frame
Finish	Blue powdercoating
Height	1180 - 1380 mm
Width	380 mm
Depth	140 - 200 mm
Flushing Type	Dualflush (3/6 l) or single flush (6 l)
Flushing Volume	Adjustable (6 - 7,5 l)
Bediening	Electronic
Specialties	<ul style="list-style-type: none"> • Insulated reservoir against condensation • Hydraulic low-noise float valve • Pre-assembled ball valve in reservoir • Equipped with protective pipe for connection of IPEE Spectre • Prepared for connection with plastic pipe system
Water Supply	G 1/2"
Included	<ul style="list-style-type: none"> • Pre-assembled wall mounting kit • Masonry aid and insulation mat • PE drain bend 90 mm with transition piece 90x110 mm • Electronic clamp
Norms	CE EN 14055 - CL1- 6 - NL I - VR I



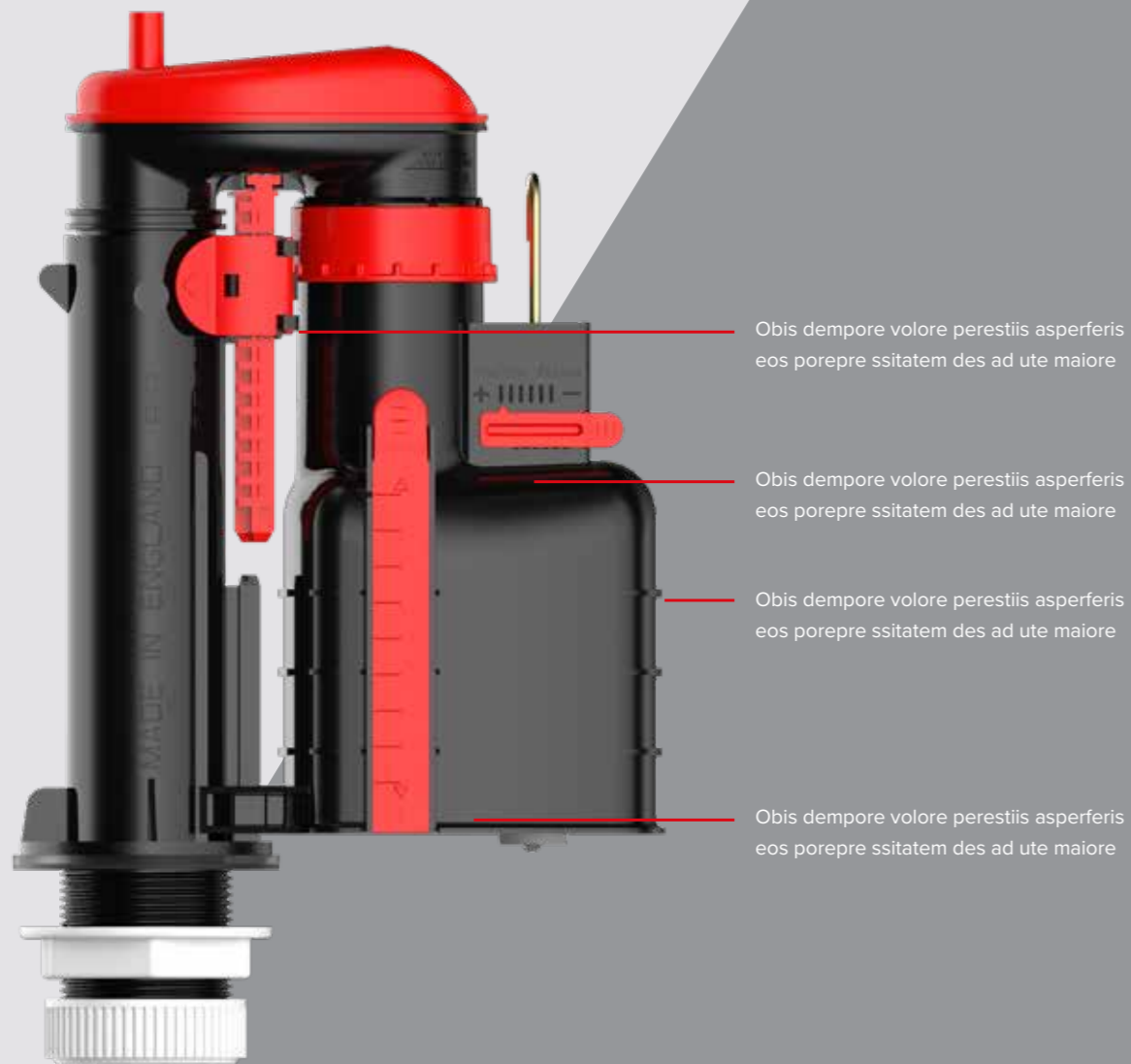
Syphons

Equi cum ipsam fugiandae venda nulpariam nullique estiis quos non ea si quod ut equibus.

Eheni omnibus quatibust, officipit aliquisimet mi, occati qui velesequate possent explicipsum si aut labor as earuptatur?

Equi dolor anitatem que precab ipissed et renietu restiis duntemquiat earum volendam eatur, id ut enis aliqua dolore voloreratur?

Entore et earum quis consediatem fugit odion merci blaciisin eaquia volupta dias aut fugia illorum et et



Syphons



19464 Pro Ultra Universal Dual Flush Syphon

Product Details

- Fits virtually all 1 1/2" lever operated cisterns
- Long Lasting Butterfly Diaphragm
- Rapid Height Adjustment
- Fully adjustable from 7.5" – 9.5" (190mm - 240mm)
- Retrofits Other Syphons*
- Comes with a clip-in adapter
- Adjustable Full Flush
- Infinitely adjustable flush volumes
- The only syphon to feature variable part flush
- Optimised flushing dynamics allows easy flush activation
- Twin Flow Performance Cap
- Anti-Turbulence Outlet
- Optimises and increases flow

19467 ULTRASYS074 Ultra Universal Dual Flush Syphon

Product Details

- Fits virtually all 1 1/2" lever operated cisterns
- Long lasting butterfly diaphragm
- Rapid height adjustment
- Fully adjustable from 7.5" – 9.5" (190mm - 240mm)
- Retrofits other syphons*
- Comes with a clip-in adapter
- Adjustable full flush
- Infinitely adjustable flush volumes
- The only syphon to feature variable part flush
- Optimised flushing dynamics allows easy flush activation
- Twin flow performance cap
- Anti-turbulence outlet
- Optimises and increases flow

Fill & Flush Kits

Providing a full and compatible solution, our fill and flush kits combine two of our most popular cistern products to offer high quality, reliability.

Featuring adjustable, dual flush, push-button valve and height adjustable fill valve, both products come with a 1-year manufacturer's warranty and all required fixtures and fittings for fast and simple installation.



Fill & Flush Kits

PRO K-6420-D-010

Installation Method	Pre-wall installation or installation into a solid wall
Properties	<ul style="list-style-type: none"> • Top, Front or Side Mounted Dual Flush Button • 350mm Length Cable • Easy Adjustable Overflow
Product Contains	<ul style="list-style-type: none"> • Top, Front or Side Mounted Dual Flush Button • 350mm Length Cable • Easy Adjustable Overflow • Water saving bottom entry brass shanked fill valve. • BS 1212-4 compliant • Fits Both 1.5 & 2 Inch Flush Outlets • Fully Height Adjustable Fill Valve • Stainless Steel Through Bolt Set • 2" Flush Outlet Converter
Contains	<ul style="list-style-type: none"> • Converter for 2" to 1.5" outlets



Fill Valves

Exceptional performance and water-saving technology ensure that the AirGap 6000 is ideal for specification across small and large-scale specification projects.

The unique AirGap design eliminates backflow, whilst the vortex system minimises fill noise.

Carefully engineered to fit virtually every cistern on the market, the AirGap 6000 enhances sustainability by saving up to 1 litre of water with every flush. In addition, all component parts are completely recyclable.

Visit: www.fluidmaster-airgap.com for more details.

Fits virtually every toilet cistern on the market



Water Saving Fill Valve
Allowing you to save over 1 litre per flush.

AirGap™ Technology
Our revolutionary Fluidmaster AirGap™ technology totally eliminates backflow.

Quiet Fill
Our unique vortex system minimises fill noise.

One Size Fits Virtually All Cisterns
The only bottom-inlet toilet valve you'll need to stock or have on your van.

CO₂ Emissions
Enhance your building's sustainability by saving water and therefore reducing CO₂ emissions.

Height Adjustable
Fitting most cisterns on the market

Exceptional Performance at Low Pressure
Fast fill from 0.1 bar, suiting all gravity and mains fed water systems

Complies with
BS1212-4

**5 Year
Warrantay**

Meets with
BREEAM Guidelines

Airgap 6000 Series Toilet Cistern Fill Valves



Airgap 6000 Water saving 1/2" or 3/8" Brass Shanked, Bottom entry

Part Number 1/2"	6420-D-001-P9 / 6420-D-001-P30
Part Number 3/8"	6480-D-001-P9
Product Description	Water saving 1/2" or 3/8" bottom entry filling valve
British Standard	BS 1212-4 compliant
Materials	ABS, Brass, EPDM, POM, PP, PVC
Approx Weight (kg)	0.320
Product Dimensions	Lx100mm Wx55mm H: Adjustable from 265mm to 320mm (Thread 50mm)
Packaging	Individually Boxed
Product Type	Part 4 Compact Type Fill Valve
Product Details	<ul style="list-style-type: none"> Operating pressure Range - From 0.1bar to 10bar mains water pressure. Airgap distance built in design to meet AUK1 and Type AG airgap requirements. Reduces risk of water hammer. Quiet Filling - Noise level below 60dB (Normal Conversation 60-70dB). Pressure restrictor fitted to control flow rates when not using gravity systems- See instructions for details. Removable filtration - Filter fitted within thread. Small foot print allows for fitting into tight cisterns. Adjustable Height - From 265mm to 320mm. (Overall Height of valve) Other Dimensions: Lx100mm Wx55mm Water level adjustment from approx. 130mm to 220mm Normal Working Temperature – 0°C – 20°C. Inlet Thread – Brass 1/2" BSP to suit tap connector: 50mm LongMade From Recyclable Materials. 100% Tested and Manufactured in Hereford, England.
End Of Life Data	Please recycle all components in accordance with local guidelines/facilities.
Product Warranty	5 years

Airgap 6000 Water Saving, 1/2" or 3/8" Brass Shanked, Side Entry

Part Number 1/2"	6720-D-001-P10
Part Number 3/8"	6780-D-001-P10
Product Description	Water saving 1/2" or 3/8" side entry filling valve
British Standard	BS 1212-4 compliant
Materials	ABS, Brass, EPDM, POM, PP, PVC
Approx Weight (kg)	0.320
Product Dimensions	155mm Long x 50mm Dia
Packaging	Individually Boxed
Product Type	Part 4 Compact Type Fill Valve
Product Details	<ul style="list-style-type: none"> Operating pressure Range - From 0.1bar to 10bar mains water pressure. Airgap distance built in design to meet AUK1 and Type AG airgap requirements. Reduces risk of water hammer. Quiet Filling - Noise level below 60dB (Normal Conversation 60-70dB). Pressure restrictor fitted to control flow rates when not using gravity systems- See instructions for details. Removable filtration - Filter fitted within thread. Small foot print allows for fitting into tight cisterns. Water level adjustment of 60mm Normal Working Temperature – 0°C – 20°C. Inlet Thread – Brass 1/2" BSP to suit tap connector: 50mm Long Made From Recyclable Materials. 100% Tested and Manufactured in Hereford, England.
End Of Life Data	Please recycle all components in accordance with local guidelines/facilities.
Product Warranty	5 years



Airgap 6000 Non Delay 1/2" Brass Shank, Bottom Entry

Part Number	6420-S-001-P9 / 6420-S-001-P30
Product Description	Non delay 1/2" brass shanked bottom entry fill valve
British Standard	BS 1212-4 compliant
Materials	ABS, Brass, EPDM, POM, PP, PVC
Approx Weight (kg)	0.083
Product Dimensions	155mm Long x 50mm Dia
Packaging	Polythene Bag
Product Type	Part 4 Compact Type Fill Valve
Product Details	<ul style="list-style-type: none"> • Operating pressure Range - From 0.1bar to 10bar mains water pressure. • Airgap distance built in design to meet AUK1 and Type AG airgap requirements. • Reduces risk of water hammer. • Quiet Filling - Noise level below 60dB (Normal Conversation 60-70dB). • Pressure restrictor fitted to control flow rates when not using gravity systems- See instructions for details. • Removable filtration - Filter fitted within thread. • Small foot print allows for fitting into tight cisterns. • Adjustable Height - From 265mm to 320mm. (Overall Height of valve) • Water level adjustment from approx. 130mm to 220mm • Normal Working Temperature – 0°C – 20°C. • Inlet Thread – Brass 1/2" BSP to suit tap connector: 50mm Long • Made From Recyclable Materials. • 100% Tested and Manufactured in Hereford, England, UK.
End Of Life Data	Please recycle all components in accordance with local guidelines/facilities.
Product Warranty	5 years

Airgap 6000 Non Delay 1/2" Brass Shank, Side Entry

Part Number	6720-S-001-P10
Product Description	B610 Side Entry Torbeck WC Filling Valve
British Standard	BS 1212-4 compliant
Materials	ABS, Brass, EPDM, POM, PP, PVC
Approx Weight (kg)	0.083
Product Dimensions	155mm Long x 50mm Dia
Packaging	Polythene Bag
Product Type	Part 4 Compact Type Fill Valve
Product Details	<ul style="list-style-type: none"> • Operating pressure Range - From 0.1bar to 10bar mains water pressure. • Airgap distance built in design to meet AUK1 and Type AG airgap requirements. • Reduces risk of water hammer. • Quiet Filling - Noise level below 60dB (Normal Conversation 60-70dB). • Pressure restrictor fitted to control flow rates when not using gravity systems- See instructions for details. • Removable filtration - Filter fitted within thread. • Small foot print allows for fitting into tight cisterns. • Water level adjustment of 60mm • Normal Working Temperature – 0°C – 20°C. • Inlet Thread – Brass 1/2" BSP to suit tap connector: 50mm Long • Made From Recyclable Materials. • 100% Tested and Manufactured in Hereford, England, UK.
End Of Life Data	Please recycle all components in accordance with local guidelines/facilities.
Product Warranty	5 years



Airgap 6000 Plastic Shank Bottom Entry

Part Number 1/2"	6410-D-001-P9 / 6410-D-001-P30
Product Description	Water saving plastic shanked bottom entry feill valve
Product Dimensions	Lx100mm Wx55mm H: Adjustable from 265mm to 320mm (Thread 50mm)
Packaging	Individually boxed
Product Type	Part 4 Compact Type Fill Valve

Airgap 6000 Plastic Shank Side Entry

Part Number 1/2"	6710-S-001-P10
Product Description	Non delay 1/2" plastic shanked side entry fill valve
Product Dimensions	155mm Long x 50mm Dia
Packaging	Individually boxed
Product Type	Part 4 Compact Type Fill Valve



Airgap 6000 Plastic Shank Bottom Entry

Part Number 1/2"	6410-S-001-P9 / 6410-S-001-P30
Product Description	Non delay 1/2" plastic shanked bottom entry fill valve
Product Dimensions	Lx100mm Wx55mm H: Adjustable from 265mm to 320mm (Thread 50mm)
Packaging	Individually boxed
Product Type	Part 4 Compact Type Fill Valve

Airgap 6000 Plastic Shank Side Entry

Part Number 1/2"	6710-D-001-P10
Product Description	Water saving plastic shanked side entry feill valve
Product Dimensions	155mm Long x 50mm Dia
Packaging	Individually boxed
Product Type	Part 4 Compact Type Fill Valve

Flush Valves

With full adjustability and a convenient variable height internal overflow, the Fluidmaster range of flush valves is manufactured for quick and simple installation and maintenance.

Both water saving dual flush options allow for an increase or decrease flush volumes in line with cistern size and design. The choice of push button or lever action ensures that there is a compatible Fluidmaster flush valve for all styles of toilet.



Dual Flush Option
With adjustable full and partial flush volumes

Adjustable Overflow

Adjustable Settings for Full Flush and Partial
Allows for quick and easy maintenance

Valve Body to Base Twist and Release Action
Enables simple maintenance

Outlet Connector
Fits both 1 1/2" and 2" outlets

Flush Valves



Button dual flush valve PRO550UK

Part Number	PRO550UK
Product Description	Fluidmaster Pro Dual Flush Button operated valve.
Materials	ABS, Nitrile Rubber, POM, Rubber, Silicon, Stainless Steel
Approx. Weight (kg)	0.450
Product Dimensions	L 120mm x W 80mm x H 210mm
Packaging	Boxed
Product Type	WC Flush Valve
Product Details	<ul style="list-style-type: none"> • Dual Flush Option with adjustable full and partial flush volumes • Will suit 1.5" and 2" cistern outlet sizes • 550mm Cable Length for front mounted concealed applications • Button will fit from 19mm to 40mm hole • Internal Overflow with adjustable height • Quick release button connection • Valve body to base twist and release action allows for quick and easy maintenance • Small Footprint - L 120mm x W 80mm x H 210mm • Recommended Torque for back nut is 6Nm - 10Nm - (Approx. Hand tight plus up to 3/4 Turn)
Installation Notes	See installation instructions for full detail
End Of Life Data	Please recycle all components in accordance with local guidelines/facilities.
Product Warranty	12 months



Lever dual flush valve PRO750UK

Part Number	PRO750UK
Product Description	Fluidmaster Lever Operated Dual Flush Valve
Materials	ABS, Nitrile Rubber, POM, Rubber, Silicon, Stainless Steel
Approx. Weight (kg)	0.450
Product Dimensions	L 120mm x W 80mm x H 210mm
Packaging	Boxed
Product Type	WC Flush Valve
Product Details	<ul style="list-style-type: none"> • Dual Flush Option with adjustable full and partial flush volumes • Will suit 1.5" and 2" cistern outlet sizes • 350mm Cable Length • Cable orientation allows for Side or front mounted lever • Lever will fit from 19mm to 25mm hole • Internal Overflow with adjustable height • Quick release lever connection • Valve body to base twist and release action allows for quick and easy maintenance • Small Footprint - L 120mm x W 80mm x H 210mm • Recommended Torque for back nut is 6Nm - 10Nm - (Approx. Hand tight plus up to 3/4 Turn)
Installation Notes	See installation instructions for full detail
End Of Life Data	Please recycle all components in accordance with local guidelines/facilities.
Product Warranty	12 months



Below are sample specifications to use within projects

Concealed Cistern Product Specification Text Sample

The Cistern Tank must include mounting brackets.
The Cistern Tank must have a captive lid to enable front and top access.
The Cistern Tank must have a low cut-away front for ease of access.
The Cistern Tank must have knockouts to accommodate side inlet or bottom inlet Fill Valves.
The Cistern must be pre-set to 6 litre full flush and 4 litre partial flush.
The Cistern must be suitable for 500mm narrow furniture.
The Flush Valve button must fit top, front or side applications.
The overflow height must be adjustable between 8 ½” to 13 ½”.
The Cistern must include a Flush Valve with a quick release cable button connection.
The Flush Valve must have a cable length of 550mm.
The Cistern Tank will also include a Fill Valve which is fully compliant with AUK1, AG and is BS1212-04 certified.
The Fill Valve must incorporate a vortex fill to reduce fill noise.
The Fill Valve must be able to operate from 0.1bar water pressure.
The Fill Valve will have a delayed fill function which will offer water saving thereby complying with BREEAM.

Frames sample specification

The WC Frame must contain a concealed cistern featuring single or multiple water connection options, a pre-installed stop valve for ease of fitting and a choice of top or frontal dual flushing. The Concealed Cistern must contain a Flush Valve and Fill Valve as detailed below.

Flush valve sample specification

The Flush Valve must have the following features:

- A Dual Flush Option with adjustable full and partial flush volumes.
- Will suit 1.5” and 2” cistern outlet sizes
- 550mm Cable Length for front mounted concealed applications
- Button will fit from 19mm to 40mm hole
- Internal Overflow with adjustable height
- Quick release button connection
- Valve body to base twist and release action allows for quick and easy maintenance
- Small Footprint - L 120mm x W 80mm x H 210mm
- Recommended Torque for back nut is 6Nm - 10Nm - (Approx . Hand tight plus up to 3/4 Turn)

Fill valve sample specification

The Fill Valve must have the following features:

be a delay fill type.

The Fill Valve must also have an airgap to eliminate any backflow.

The working Pressure must be from 0.1 bar to 10bar mains water pressure

- Quiet filling - Noise level below 60db (Normal conversion 60-70db)
- The Fill Valve must include pressure restrictors to control flow rates
- Removable filtration - Comb filter/Pressure Restrictor fitted into tail
- Inlet Thread —1/2” BSP to suit tap connector
- The Fill Valve will be made from Recyclable Materials

The Fill Valve must comply with BS1212-04 Standards

The Fill Valve will carry a standard 5 year warranty