

Product data sheet
UP 189
Article number: 385765
EAN code: 3838912025708
APPLICATION

SCHWAB products enable very quick and simple installation, suitable for different bathroom ambience and very flexible when speaking about installation methods.

FEATURES

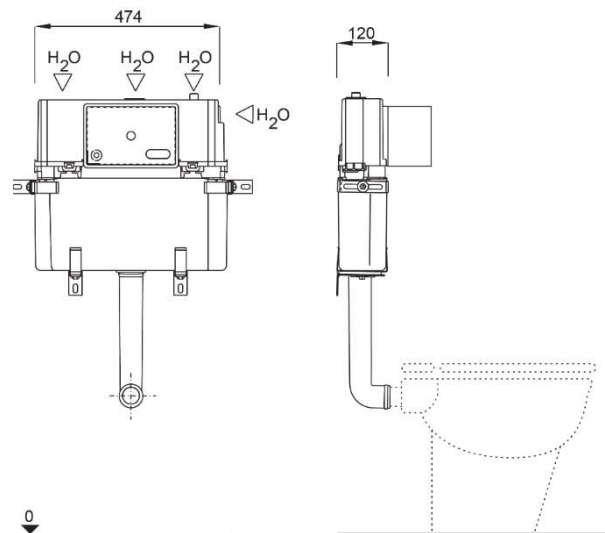
- ✓ Reliable operation with long guarantee period: 10 years guarantee for concealed cisterns,
- ✓ 25 years of original spare parts availability for concealed and exposed cisterns,
- ✓ Perfectly insulated flushing cisterns with extremely silent filling valve enable remarkably silent function,
- ✓ Equipped with dual flushing technique, thus contributing to a more responsible use of drinking water,
- ✓ Moisture free: flushing cistern are made of high quality material and insulated against condensation,
- ✓ High endurance: endurance test of the flushing cistern (according to the requirements of the standards).


PROPERTIES - TECHNICAL DATA

- ✓ 189 UP concealed cistern
- ✓ Frontal flushing, for start-stop (6 L) or dual flushing (3/6 L)
- ✓ Flush volume adjustable (large flush 5/6/7 L, small flush 3/4 L)
- ✓ Water connection possibility on four positions
- ✓ Fully insulated against condensation

INSTALLATION

- ✓ Installation method
 - For installation into a solid wall
- ✓ Suitable for floor mounted toilet bowl



Product data sheet

BULK PACKAGING INFORMATION

- ✓ Qty per Master carton box: 1 pcs
- ✓ Qty per Pallet: 36 pcs

Product contains:

- ✓ Concealed cistern equipped with pre-installed stop valve – top right
- ✓ Water connection 1/2"
- ✓ Flush pipe L=300 mm
- ✓ Mounting brackets
- ✓ Complete installation and fixing material

CE EN14055 – CL1 – 6 – NL I – VR I

OPTIONS

Flushing plates need to be ordered separately. Suitable flushing plates:

CARO, CIRCLE, GENERA, FUTURA,
OVATE DUO / OVATE, DOTS DUO / DOTS

