



FLAMEPROOF ELECTRICAL ENCLOSURES LTD

Tat Bank Road, Oldbury, West Midlands B69 4NP

Telephone: 0121 541 1315 Fax: 0121 552 0592 E-mail: sales@feel.uk.net Website: www.feel.uk.net



Certificate No. 930015

RANGE 7000TE

EXPLOSION PROTECTED / WEATHERPROOF / JUNCTION BOXES

Sira certified under directive 94/9/EC (ATEX) for Group II, Category 2, G and D. The enclosure has been certified to give a large measure of flexibility based on Power Dissipation and are suitable for Zone 1, 2 (Gases) Zone 21 and 22 (Dusts). Product complies with standards EN 50014, EN 50019 and EN 50281-1-1

CERTIFICATE NUMBER: Sira 99ATEX3154

PROTECTION CONCEPT: EEx e II T* T__°C**
(* and ** see tables opposite)

AMBIENT TEMPERATURE: -45°C to +40°C (T6)
-45°C to +55°C (T5)
-45°C to +60°C (T5)
-45°C to +55°C (T4)

POWER DISSIPATION LIMIT: Depends on ambient temperature range required see tables

INGRESS PROTECTION: IP66

MATERIALS STANDARD: Mild Steel, Hot Dipped, Galvanised
SPECIAL: Stainless Steel 316, Chemically Polished

COVER SCREWS: Stainless Steel A4 80 captive

FINISH STANDARD: Hot Dipped Galvanised
SPECIAL: Zinc spray, Epoxy resin or Paint (any colour)

WEIGHT: See schedule against box reference

CABLE ENTRIES:



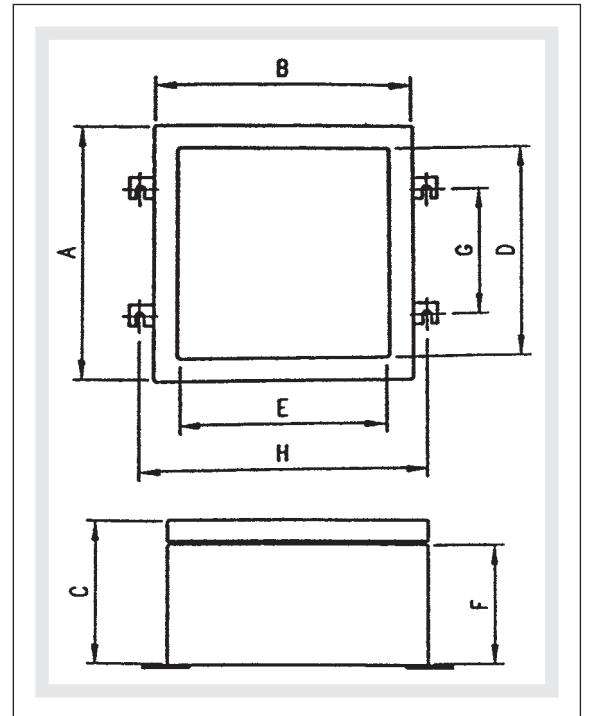
Due to variations possible in entry patterns by way to gland size and quantity it is usually necessary to check each application to determine the enclosure size required. However a table based on 20mm clearance holes is given below as a guide together with gland plate apertures. Top and Bottom gland plates are fitted as standard, Side gland plates are optional extra. Covers are fitted with exclusively designed concealed stainless steel double action lift off hinges. Padlocking facility is fitted as standard. Internal and External earth stud assemblies are 10mm.

	Gland plate apertures		20mm Clearance holes maximum (34.0mm max across corner glands)	
	Top & Bottom	Side	Top & Bottom	Side
7000TE10	100 x 108	180 x 68	10	4
7000TE11	240 x 68	240 x 68	12	12
7000TE12	316 x 68	393 x 68	23	26
7000TE13	430 x 118	690 x 68	33	42
7000TE14	535 x 118	390 x 118 (2 off)	50	76

TERMINAL BLOCKS: Enclosures can be fitted with a wide variety of terminal types ratings of which are subject to the Power Dissipation Limitation figures given in the table opposite. Additional earth terminals may be fitted in lieu of feed-through terminal types when required. Enclosures can also be supplied empty for other applications being Component Approved carrying Certification reference Sira 01ATEX3236U.

H* = 4 Gland plate box fixings are 30mm wider

	A	B	C	D	E	F	G	H*	Weight (Kgs approx)
7000 TE10	229	152	150	172	95	121	152	178 or 208	4.5
7000 TE11	306	306	150	249	249	121	203	331 or 361	7.0
7000 TE12	458	382	150	401	325	121	305	407 or 437	12.0
7000 TE13	762	508	200	704	450	170	508	534 or 564	27.0
7000 TE14	914	610	200	856	552	170	559	636 or 666	40.0



MOUNTING BOLT SIZE: All enclosures M10

	Maximum Dissipated Power (W) Ta = -45°C to +40°C EEx e II T6* Or Ta = -45°C to +55°C EEx e II T5*	Maximum Dissipated Power (W) Ta = -45°C to +60°C EEx e II T5*	Maximum Dissipated Power (W) Ta = -45°C to +55°C EEx e II T4*
7000TE10	8.0	6.9	10.5
7000TE11	14.9	12.9	19.7
7000TE12	31.0	26.8	41.0
7000TE13	72.0	62.3	95.2
7000TE14	100	86.6	132.2
Ambient Range	Temperature Class	T___°C**	Maximum Dissipated Power
Ta = -45°C to +40°C	T6	55	Refer to above table
Ta = -45°C to +55°C	T5	70	Refer to above table
Ta = -45°C to +60°C	T5	70	Refer to above table
Ta = -45°C to +55°C	T4	90	Refer to above table

INSTALLATION INSTRUCTIONS: The installer must ensure that the enclosure chosen is suitable for the field of application. Which means that the marking on the certification label must correspond to the classification given to the Ex area.
Also that the temperature class of the enclosure meets the respective requirements.
For further information refer to the Installation Instruction sheet provided with the enclosures.

THE RIGHT CHOICE FOR QUALITY AND SERVICE