



FLAMEPROOF ELECTRICAL ENCLOSURES LTD

Tat Bank Road, Oldbury, West Midlands B69 4NP

Telephone: 0121 541 1315 Fax: 0121 552 0592 E-mail: sales@feel.uk.net Website: www.feel.uk.net



Certificate No. 930015

RANGE 6000

EXPLOSION PROTECTED / WEATHERPROOF / JUNCTION BOX

Sira certified under directive 94/9/EC (ATEX) for Group II, Category 2, G and D. The enclosure has been certified to give a large measure of flexibility based on Power Dissipation and is suitable for Zone 1, 2 (Gases) Zone 21 and 22 (Dusts). Product complies with standards EN 50014, EN 50019 and EN 50281-1-1

CERTIFICATE NUMBER: Sira 03ATEX3120
PROTECTION CONCEPT: EEx e II T6 T80°C
AMBIENT TEMPERATURE: -20°C to +40°C (T6)
POWER DISSIPATION LIMIT: 2.5 Watts
INGRESS PROTECTION: IP66
MATERIALS STANDARD: Body Grey Cast Iron (EN 1561)
 Cover Mild Steel
COVER SCREWS: Hexagon Headed Brass
FINISH STANDARD: Hot Dipped Galvanised
SPECIAL: Zinc spray, Epoxy resin or Paint (any colour)
WEIGHT: 1Kg (approx)



CABLE ENTRIES: Standard entries are 20mm and 25mm ISO metric. 1.5mm pitch. Alternative entries are available upon request. NPT 1/2" and 3/4". Pg 11, 13.5, 16 and 21. BS conduit 3/4" and 1".

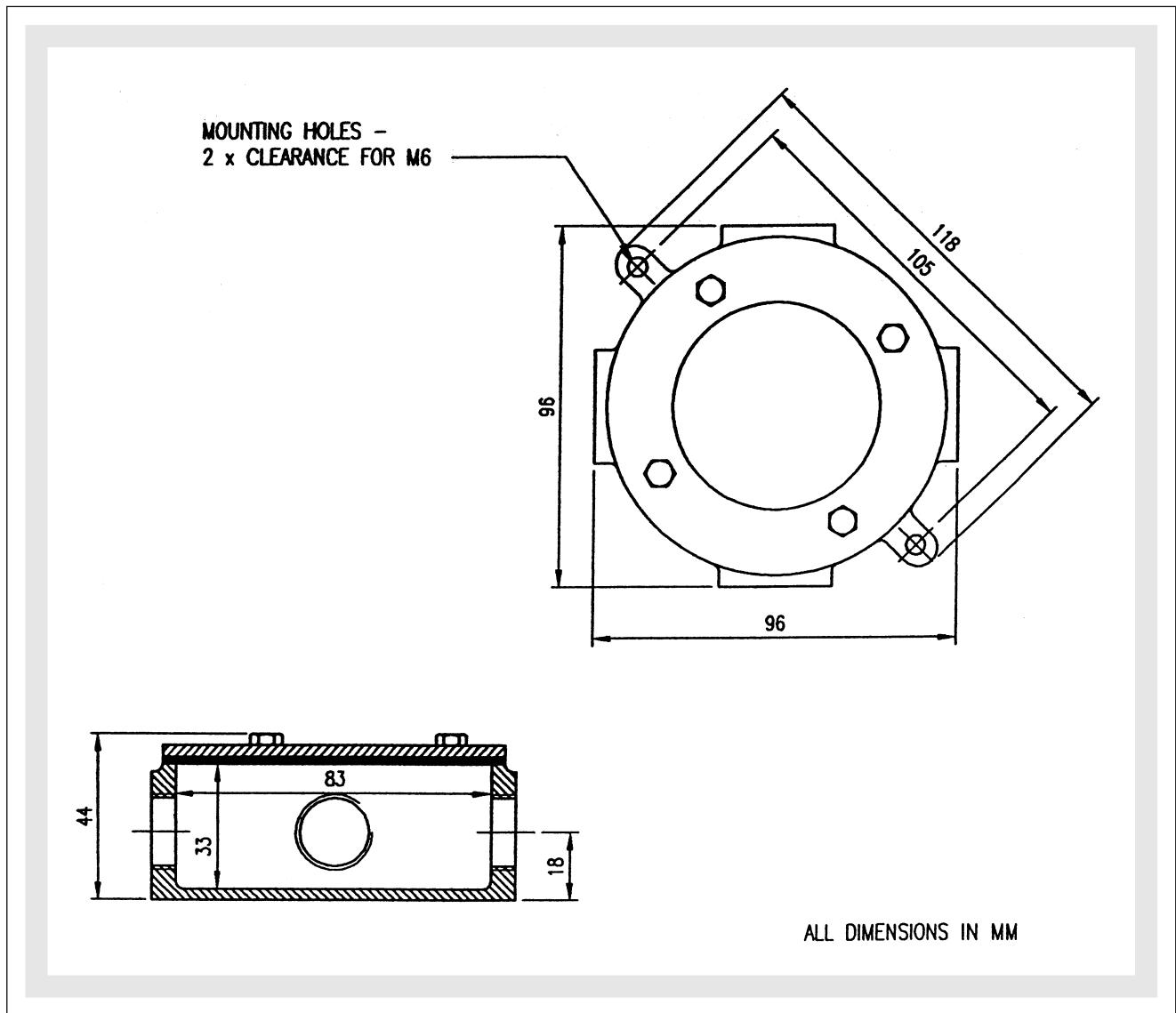
	Entry Position		20mm	25mm
	1 Way	West		6001
2 Way	West and East		6002	6052
3 Way	West, East and South		6003	6053
4 Way	West, East, South and North		6004	6054
Angle	West and South		6005	6055

This enclosure is NOT available with Back Outlet if this is required please refer to the Range 2000 which has this facility. If ordering none standard items please give full description of requirement (e.g. Pg 13.5 - 3 Way Range 6000)

TERMINAL BLOCKS: This enclosure is designed to utilise block type terminals in order to keep the enclosure size compact. The following table indicates maximum number of terminals and ratings.

Terminal Form	Maximum No of Ways	Conductor Size (mm ²)	Load per Terminal	Terminal Voltage
Block	6	4.0	28 Amps	275
Block	4	6.0	26 Amps	420

IMPORTANT In order to comply with certification requirements it is necessary to supply each enclosure fitted with a terminal block. Please detail your exact requirements. If terminal blocks are not defined each enclosure will be fitted with a 4-way block suitable for 4.0mm² conductors @ 28 Amps. Entry to enclosure must be by way of approved cable glands and unused entries must be fitted with approved plugs.



INSTALLATION INSTRUCTIONS: The installer must ensure that the enclosure chosen is suitable for the field of application. Which means that the marking on the certification label must correspond to the classification given to the Ex area.
Also that the temperature class of the enclosure meets the respective requirements.
For further information refer to the Installation Instruction sheet provided with the enclosures.

THE RIGHT CHOICE FOR QUALITY AND SERVICE