



**FLAMEPROOF ELECTRICAL ENCLOSURES LTD**

Tat Bank Road, Oldbury, West Midlands B69 4NP

Telephone: 0121 541 1315 Fax: 0121 552 0592 E-mail: sales@feel.uk.net Website: www.feel.uk.net



Certificate No. 930015

**RANGE 2000 HIGH TEMPERATURE  
EXPLOSION PROTECTED / WEATHERPROOF / JUNCTION BOX**

Sira certified under directive 94/9/EC (ATEX) for Group II, Category 2, G and D. The enclosure has been certified for high temperature use based on Power Dissipation and is suitable for Zone 1, 2 (Gases) Zone 21 and 22 (Dusts).

Product complies with standards EN 50014, EN 50019 and EN 50281-1-1

<b>CERTIFICATE NUMBER:</b>	Sira 99ATEX3179
<b>PROTECTION CONCEPT:</b>	EEx e IIC T3 T1700C
<b>AMBIENT TEMPERATURE:</b>	-60OC to +150OC (T3)
<b>POWER DISSIPATION LIMIT:</b>	8.95 Watts @ T3
<b>INGRESS PROTECTION:</b>	I P66
<b>MATERIALS:</b>	Grey Cast Iron (EN 1561)
<b>COVER SCREWS:</b>	Stainless Steel A4 80 captive
<b>COVER GASKET:</b>	Silicone for high temperature application
<b>FINISH STANDARD:</b>	Hot Dipped Galvanised Zinc spray, Epoxy resin or Paint (any colour)
<b>SPECIAL:</b>	
<b>WEIGHT:</b>	2.3Kg (approx)
<b>CABLE ENTRIES:</b>	



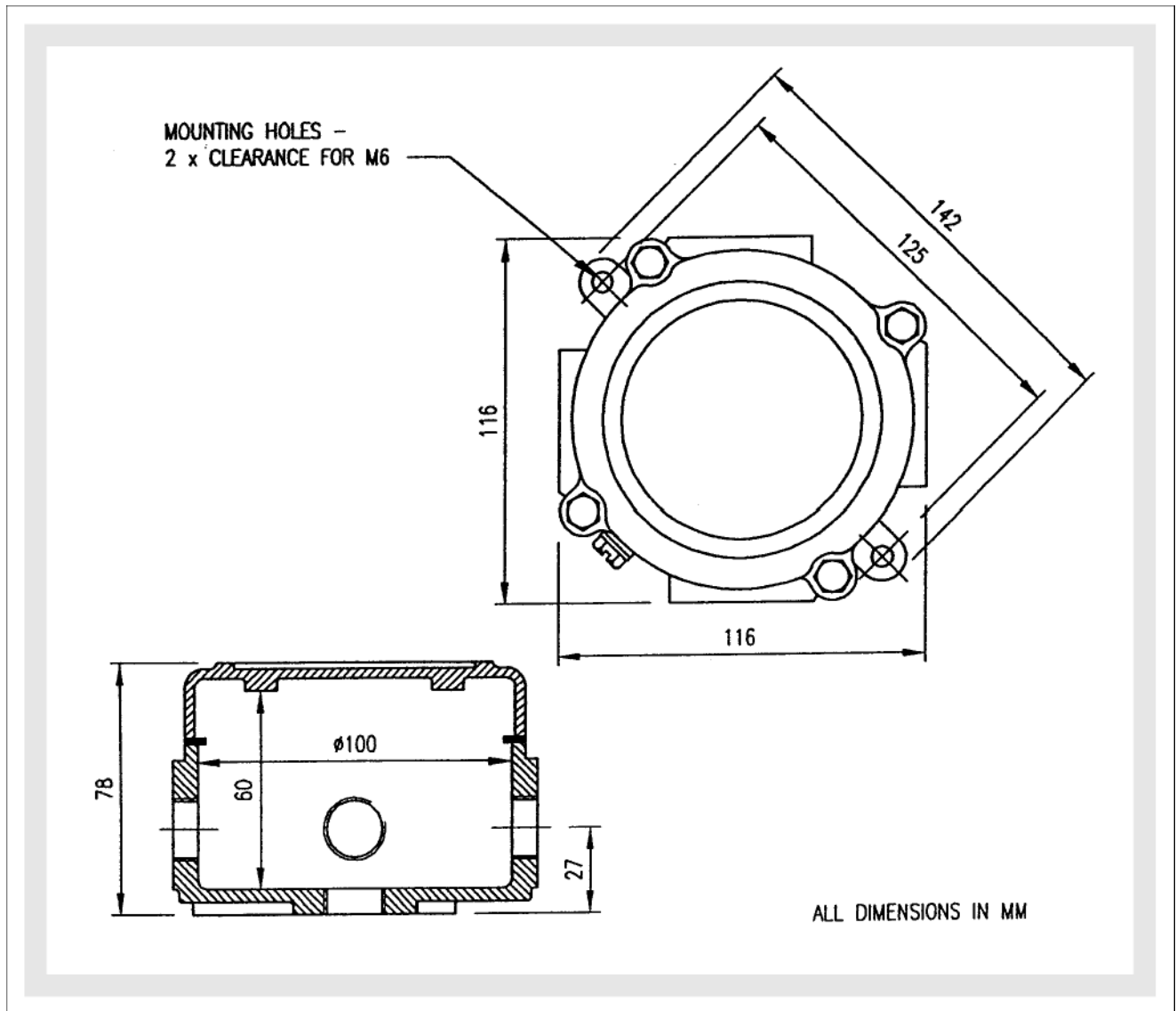
Standard entries are 20mm and 25mm ISO metric. 1.5mm pitch.  
Alternative entries are available upon request. NPT 1/2" and 3/4". Pg 11,

	Entry Position	Entry Position	
		20mm	25mm
1 Way	West	2001H	2051H
2 Way	West and East	2002H	2052H
3 Way	West, East and South	2003H	2053H
4 Way	West, East, South and North	2004H	2054H
Angle	West and South	2005H	2055H

**TERMINAL BLOCKS:** Various terminal blocks may be fitted to the enclosure the table below is a guide to ratings

Terminal Form	Maximum No of Ways	Conductor Size (mm <sup>2</sup> )	Load per Terminal (T3)	Terminal Voltage
Rail mounte (ceramic)	7	4.0	21	275
Rail mounte (ceramic)	4	10.0	37	275

**IMPORTANT** In order to comply with certification requirements it is necessary to supply each enclosure fitted with a terminal block. Please detail your exact requirements. If terminal blocks are not defined each enclosure will be fitted with a 4-way block suitable for 4.0mm<sup>2</sup> conductors @ 21 Amps. Entry to enclosure must be by way of approved cable glands and unused entries must be fitted with approved plugs.



**INSTALLATION INSTRUCTIONS:** The installer must ensure that the enclosure chosen is suitable for the field of application. Which means that the marking on the certification label must correspond to the classification given to the Ex area. Also that the temperature class of the enclosure meets the respective requirements.

For further information refer to the Installation Instruction sheet provided with the enclosures.

**THE RIGHT CHOICE FOR QUALITY AND SERVICE**