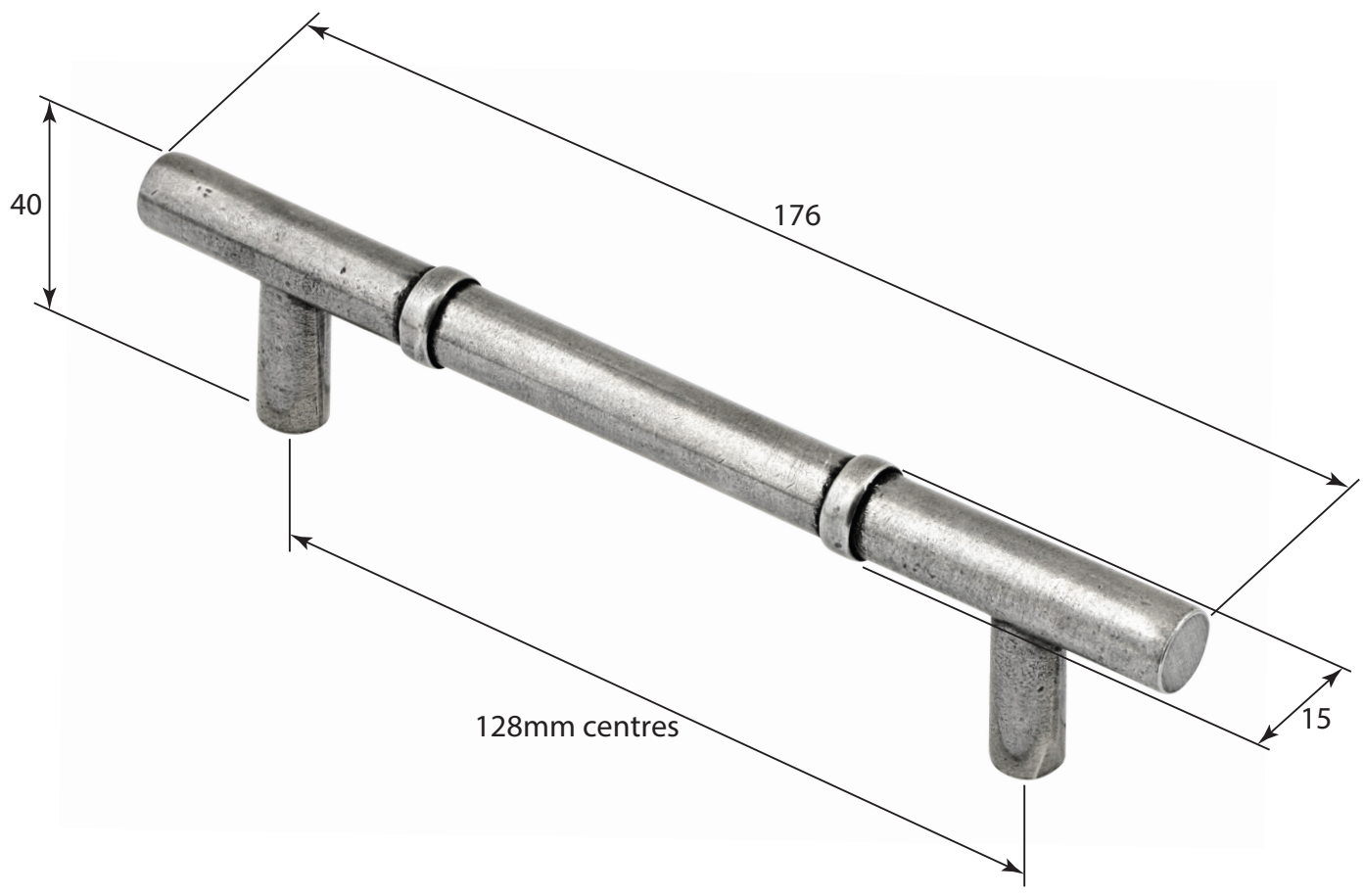


P/N. FD597

ALL DIMENSIONS IN
MM UNLESS STATED

THE CONTENTS OF THIS DRAWING ARE COPYRIGHT AND SHOULD NOT BE
REPRODUCED WITHOUT THE PERMISSION OF DJH ENGINEERING



					QTY		
			DESCRIPTION	DRG.	A. Liddle		
			FD597 Quebec Pull Handle (128mm centres)	DATE	13/08/18		
1	13/08/18		LT REF.	H:\Finess & Stonebridge Handle Hardware\Finesse\Dim Dwgs\FD597.pdf		SCALE	N/A
ISSUE	DATE	REVISION	MATL.	Pewter	CODE	FD597	