

# Tibi

## Ceiling



### Installation

Two securing holes for ceiling installation. Protection class IP 41.

### Connection

Snap-in terminal block 5 × 2.5 mm<sup>2</sup>, 1-phase through-wiring possible. Cable entry from top of the luminaire. Surface mounted mains cable possible, through-wiring 180°.

### Design

Diffuser in specular opal acrylic. Luminaire body/decorative edge ring in aluminium. Decorative edge ring lacquered in glossy black (RAL 9005) or clear lacquered brushed aluminium.

### Dimming

DALI dimming as standard.

*e-Sense Detect* – microwave sensor for absence dimming with the option of switch-off function.

*e-Sense Move* – wireless control between luminaires. Microwave sensor for absence dimming with the option of switch-off function.

For further information please refer to the dimming section in the Technical chapter.

### Designed by

Olle Lundberg.

Luminaire							
System, W	Colour temp., K	∅	Luminous flux, lm	Efficiency, lm/W		Brushed aluminium	Black
27	4000	400	1638	61	3	56770-402	56775-402
48	4000	600	3493	73	6	56771-402	56776-402

Other suffix code replaces -402. For current information on output and luminous flux, please refer to our website.

### Information LED-Luminaire

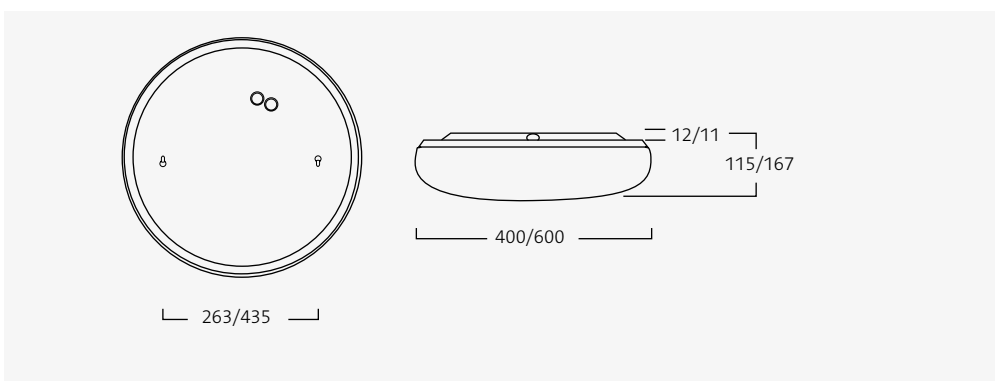
Colour temp, (CCT)	Ra (CRI)	Life	Colour quality
4000 K	≥ 80	L <sub>70</sub> 50.000 h	MacAdam 4 SDCM

For further information on LEDs, please refer to the Technical Information chapter.

### Suffix code

- -439 e-Sense Detect absence dampening
- -440 e-Sense Move absence dampening

Add suffix code to the end of the luminaire part number to indicate required function. Only one suffix can be added.



The luminaire can also be mounted on wall.