



Notor recessed LED

Opal flush



Installation

Luminaire for mounted in ventilated or unventilated suspended ceilings. Installed in suspended ceilings with visible T-bars, VTB (25 or 15 mm) or one-piece suspended ceilings.

Connection

Connection by means of a connection box on top of the luminaire. Wieland Chassis connector 3-way (GST 18i3), with dimming 5-way (GST 18i5). In a continuous installation the luminaire row should always start with a start luminaire. With continuous installation the luminaire units are interconnected with a connection cable in the connection box.

Design

Luminaire body in natural anodised, extruded aluminium. With continuous installation an unbroken line of light is achieved, even via a L-coupling.

Louvre

Opal – plate in frosted acrylic (PMMA).

Miscellaneous

Accessories and cables, see Accessories.

Straight luminaire

LED-module, lm, W	Colour temp., K	Length	Luminous flux, lm	Efficiency, lm/W	kg	Single	Start	Continuous
1250, 9.8	3000	600			1.9	22609*	22615	22621
2500, 19.6	3000	1200			3.7	22610	22616	22622
5000, 39.2	3000	2400			7.4	22611	22617	22623
1250, 9.8	4000	600	874	73	1.9	22612*	22618	22624
2500, 19.6	4000	1200	1798	82	3.7	22613	22619	22625
5000, 39.2	4000	2400	3596	82	7.4	22614	22620	22626

* Not possible to be mounted as single luminaire in ceilings with visible T-bars (VTB).
For current information on output and luminous flux, please refer to our website.

Illuminated corners

LED-module, lm, W	Colour temp., K	Module	Luminous flux, lm	Efficiency, lm/W	kg
2500, 19.6	3000	600×600			3.5
2500, 19.6	4000	600×600	1798	82	3.5

For current information on output and luminous flux, please refer to our website.

Information LED-Luminaire

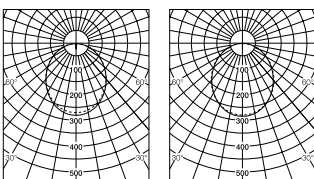
Colour temp, (CCT)	Ra (CRI)	Life	Colour quality
3000 K	≥ 85	L ₇₀ 50.000 h	MacAdam 4 SDCM
4000 K	≥ 85	L ₇₀ 50.000 h	MacAdam 4 SDCM

For further information on LEDs, please refer to the Technical Information chapter.

Suffix code

■ -402 DALI

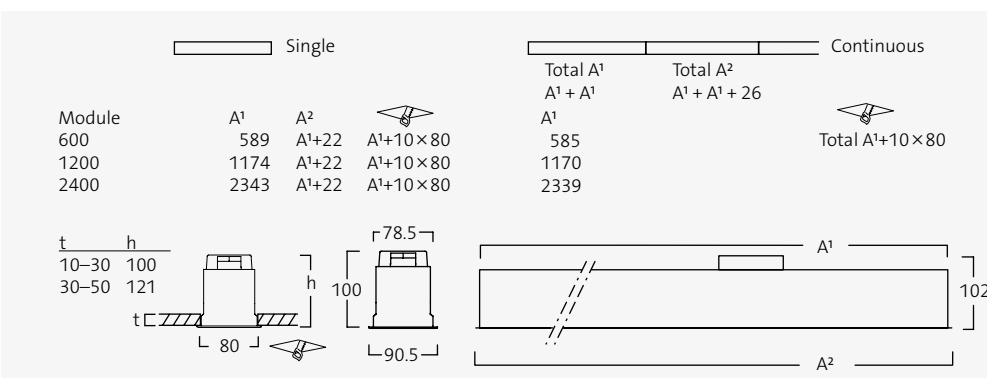
Add suffix code to the end of the luminaire part number to indicate required function.



Opal flush, 600 mm Opal flush, 1200 mm



Continuous coupler bends into the frame for a single installation.

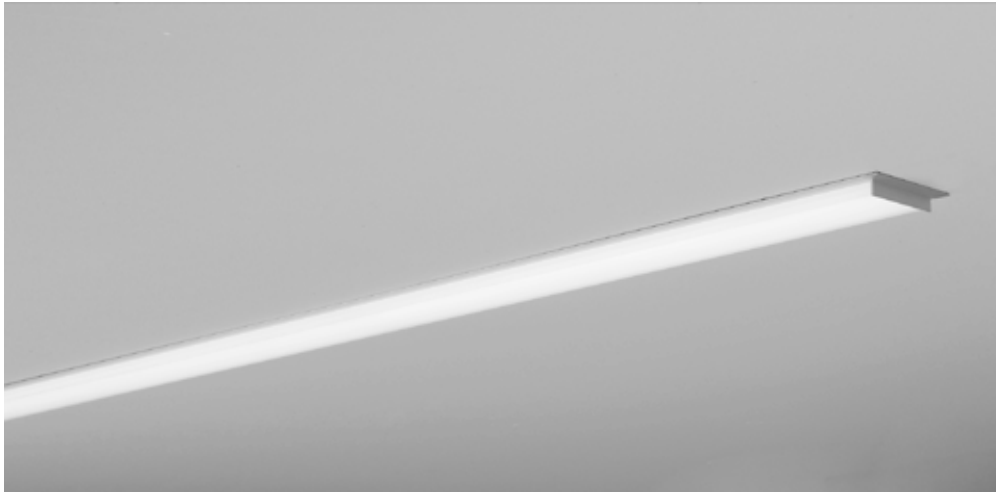


The LED board is safeguarded by the transparent contact protection with a lens function.



Notor recessed LED

Opal dropped



Installation

Luminaire for mounted in ventilated or unventilated suspended ceilings. Installed in suspended ceilings with visible T-bars, VTB (25 or 15 mm) or one-piece suspended ceilings.

Connection

Connection by means of a connection box on top of the luminaire. Wieland Chassis connector 3-way (GST 18i3), with dimming 5-way (GST 18i5). In a continuous installation the luminaire row should always start with a start luminaire. With continuous installation the luminaire units are interconnected with a connection cable in the connection box.

Design

Luminaire body in natural anodised, extruded aluminium. With continuous installation an unbroken line of light is achieved, even via a L-coupling.

Louvre

Opal – plate in frosted acrylic (PMMA). The louvre hangs down 10 mm from the ceiling and provides ambient luminance to ceiling and wall.

Miscellaneous

Accessories and cables, see Accessories.

Straight luminaire

LED-module, lm, W	Colour temp., K	Length	Luminous flux, lm	Efficiency, lm/W	kg	Start	Single/Cont./End
1250, 9.8	3000	600			1.9	22963	22969*
2500, 19.6	3000	1200			3.7	22964	22970
5000, 39.2	3000	2400			7.4	22965	22971
1250, 9.8	4000	600	906	75	1.9	22966	22972*
2500, 19.6	4000	1200	1856	84	3.7	22967	22973
5000, 39.2	4000	2400	3712	84	7.4	22968	22974

* Not possible to be mounted as single luminaire in ceilings with visible T-bars (VTB).
For current information on output and luminous flux, please refer to our website.

Illuminated corners

LED-module, lm, W	Colour temp., K	Module	Luminous flux, lm	Efficiency, lm/W	kg	
2500, 19.6	3000	600×600			3.5	22630
2500, 19.6	4000	600×600	1856	84	3.5	22631

For current information on output and luminous flux, please refer to our website.

Information LED-Luminaire

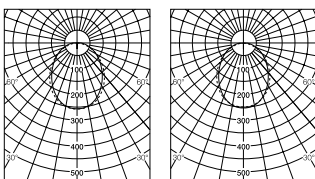
Colour temp, (CCT)	Ra (CRI)	Life	Colour quality
3000 K	≥ 85	L ₇₀ 50.000 h	MacAdam 4 SDCM
4000 K	≥ 85	L ₇₀ 50.000 h	MacAdam 4 SDCM

For further information on LEDs, please refer to the Technical Information chapter.

Suffix code

■ -402 DALI

Add suffix code to the end of the luminaire part number to indicate required function.

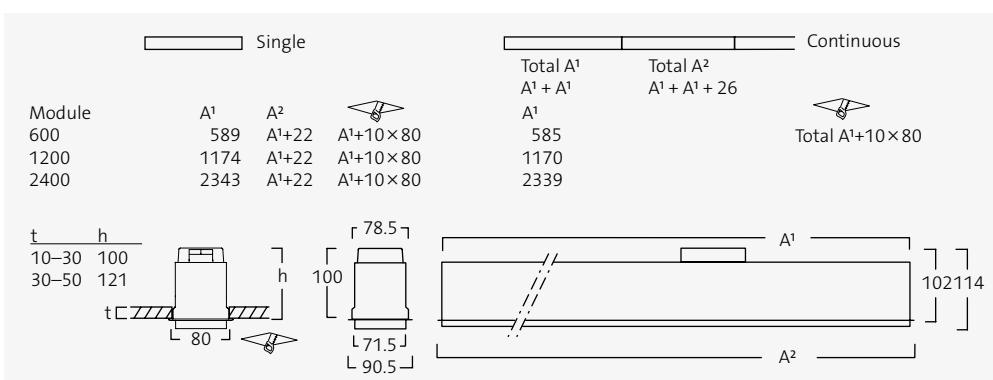


Opal dropped, 600 mm

Opal dropped, 1200 mm



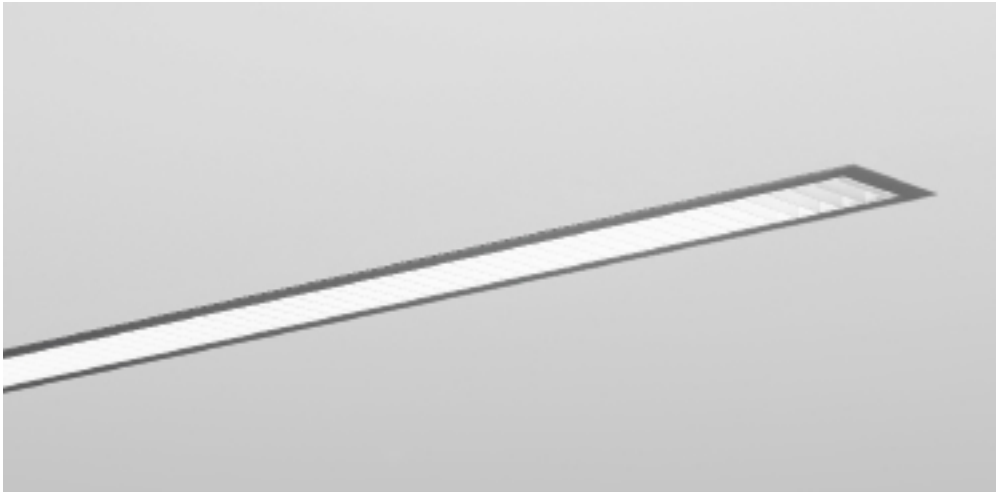
Illuminated L-coupling provides light right into the corner.



Dummy section.



Notor Recessed Lamell



Installation

Luminaire for recessed mounting in ventilated or unventilated suspended ceilings. Installed in suspended ceilings with visible T-bars, (25 or 18 mm) or fixed suspended ceilings.

Connection

Connection by means of a connection box on top of the luminaire. Wieland Chassis connector 3-way (GST 18i3), with dimming 5-way (GST 18i5). In a continuous installation the luminaire row should always begin with a start luminaire. With a continuous installation the luminaire units are interconnected with a connection cable in the connection box.

Design

Luminaire body in natural anodised, extruded aluminium. The fluorescent lamps in the continuous luminaires overlap, creating an unbroken luminous line.

Louvre

Lamell – aluminium enamelled cross-blade louvre made of sheet steel.

Reflector

Reflector of metallised aluminium.

Miscellaneous

For connectors and cables see accessories.

To calculate how many luminaires and accessories you will need to complete a run, please use our configurator at www.fagerhult.co.uk.

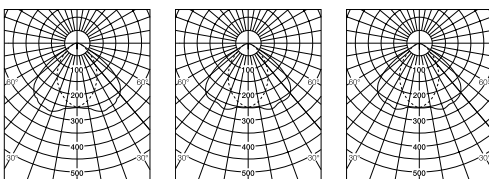
Luminaire, single or continuous installation					
FDH	kg	Length	Single/start	Continuous/End	
1×13/14	2.0	600	22885		■
1×25/28	3.7	1200	22886		■
1×32/35	5.0	1500	22888		■
1×45/49	5.0	1500	22889		■
1×50/54	3.7	1200	22887		■
2×1×25/28	6.9	2400	22890	22894	■
2×1×32/35	8.0	3000	22892	22896	■
2×1×45/49	8.0	3000	22893	22897	■
2×1×50/54	6.9	2400	22891	22895	■

Suffix code

■ -368 DALI/Phase-pulse control

■ -436 DALI/DSI/switchDIM

Add suffix code to the end of the luminaire part number to indicate required function. Only one suffix can be added.



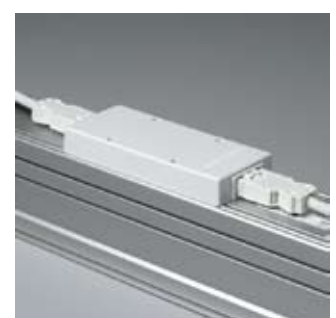
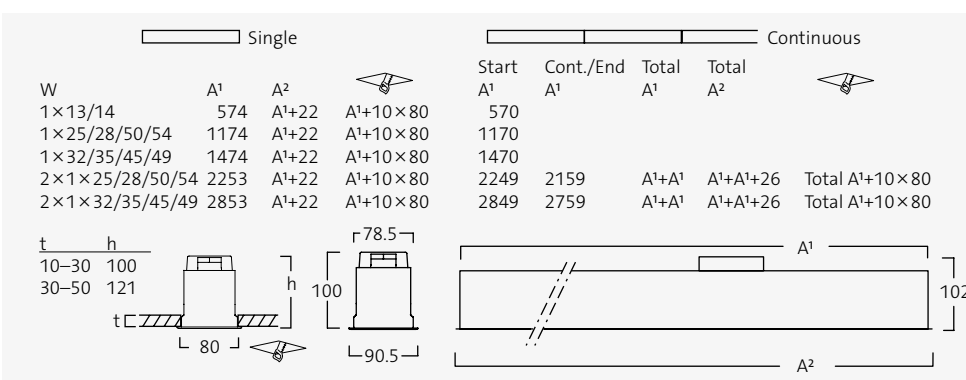
1×13/14 W

1×32/35 W

1×45/49 W



A fixing bracket holds the luminaires together in a continuous installation.

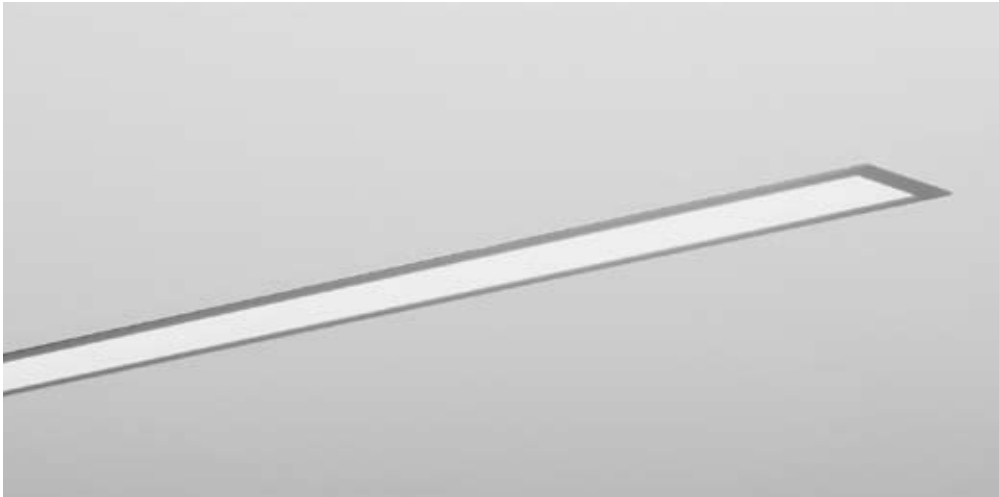


In a continuous installation the units are easily interconnected by means of a connection box on top of the luminaire.



Notor Recessed

Delta



Installation

Luminaire for recessed mounting in ventilated or unventilated suspended ceilings. Installed in suspended ceilings with visible T-bars, (25 or 15 mm) or fixed suspended ceilings.

Connection

Connection by means of a connection box on top of the luminaire. Wieland Chassis connector 3-way (GST 18i3), with dimming 5-way (GST 18i5). In a continuous installation the luminaire row should always begin with a start luminaire. With a continuous installation the luminaire units are interconnected with a connection cable in the connection box.

Design

Luminaire body in natural anodised, extruded aluminium. The fluorescent lamps in the continuous luminaires overlap, creating an unbroken luminous line.

Louvre

Delta – microprismatic acrylic louvre (PMMA).

Reflector

Reflector of metallised aluminium.

Miscellaneous

For connectors and cables see accessories.

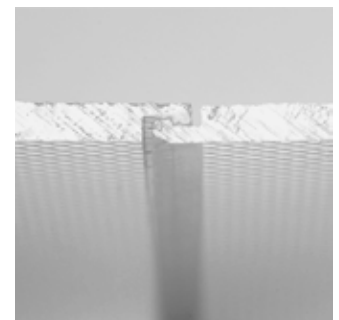
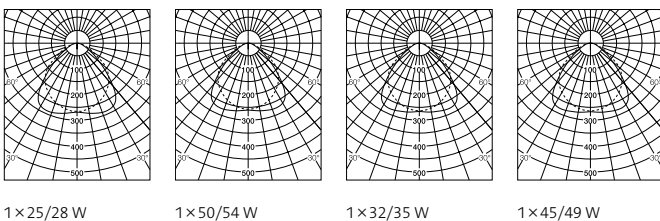
To calculate how many luminaires and accessories you will need to complete a run, please use our configurator at www.fagerhult.co.uk.

Luminaire, single installation				
FDH	kg	Length		
1×13/14	1.9	600	22861	■
1×20/24	1.9	600	22855	■
1×25/28	3.5	1200	22862	■
1×32/35	4.8	1500	22864	■
1×45/49	4.8	1500	22865	■
1×50/54	3.5	1200	22863	■
2×1×25/28	6.5	2400	22871	■
2×1×32/35	8.1	3000	22873	■
2×1×45/49	8.1	3000	22874	■
2×1×50/54	6.5	2400	22872	■

Suffix code	
■	-368 DALI/Phase-pulse control
■	-436 DALI/DSI/switchDIM

Add suffix code to the end of the luminaire part number to indicate required function. Only one suffix can be added.

Luminaire, continuous installation				
FDH	kg	Length	Start	Continuous/End
1×13/14	1.9	600	22866	22883 ■
1×20/24	1.9	600		22884 ■
1×25/28	3.5	1200	22867	■
1×32/35	4.8	1500	22869	■
1×45/49	4.8	1500	22870	■
1×50/54	3.5	1200	22868	■
2×1×25/28	6.5	2400	22875	22879 ■
2×1×32/35	8.1	3000	22877	22881 ■
2×1×45/49	8.1	3000	22878	22882 ■
2×1×50/54	6.5	2400	22876	22880 ■



In the continuous versions the Delta louvres hook into each other to prevent the appearance of unwanted gaps.



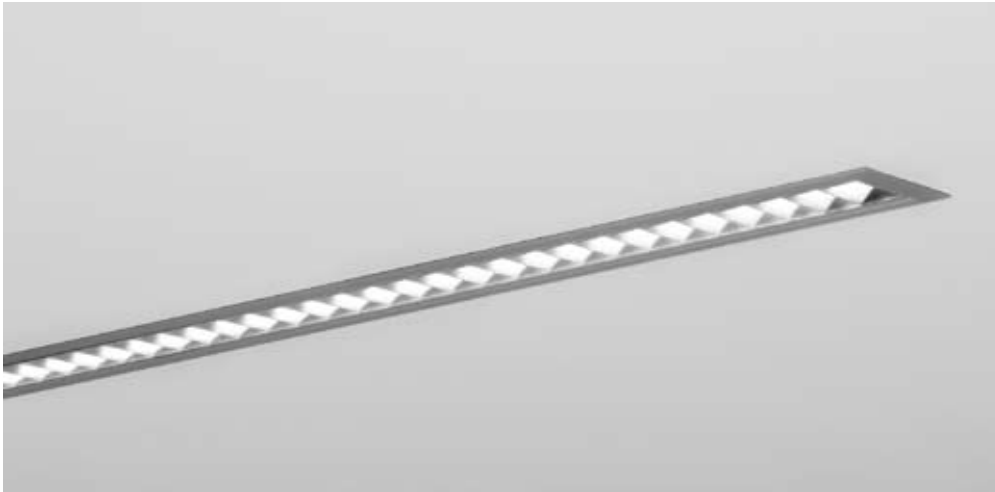
L-couplings to make 90° turns.

Single				Continuous			
W	A ¹	A ²	Diagram	Start A ¹	Cont./End A ¹	Total A ¹	Total A ²
1×13/14	574	A ¹ +22		570	480		
1×25/28/50/54	1174	A ¹ +22		1170			
1×32/35/45/49	1474	A ¹ +22		1470			
2×1×25/28/50/54	2253	A ¹ +22		2249	2159	A ¹ +A ¹	A ¹ +A ¹ +26
2×1×32/35/45/49	2853	A ¹ +22		2849	2759	A ¹ +A ¹	A ¹ +A ¹ +26
						Total A ¹ +10×80	Total A ¹ +10×80



Notor Recessed

Beta



Luminaire			
FDH	kg	Length	
1×13/14	2.0	600	22690
1×20/24	2.0	600	22689
1×25/28	3.6	1200	22691
1×32/35	4.9	1500	22693
1×45/49	4.9	1500	22694
1×50/54	3.6	1200	22692
2×1×25/28	6.8	2400	22695
2×1×32/35	8.3	3000	22697
2×1×45/49	8.3	3000	22698
2×1×50/54	6.8	2400	22696

Suffix code	
	-368 DALI/Phase-pulse control
	-436 DALI/DSI/switchDIM

Add suffix code to the end of the luminaire part number to indicate required function. Only one suffix can be added.

Installation

Luminaire for recessed mounting in ventilated or unventilated suspended ceilings. Installed in suspended ceilings with visible T-bars, (25 or 15 mm) or fixed suspended ceilings.

Connection

Connection by means of a connection box on top of the luminaire. Wieland Chassis connector 3-way (GST 18i3), with dimming 5-way (GST 18i5). With continuous installation the luminaire units are interconnected with a connection cable in the connection box.

Design

Luminaire body in natural anodised, extruded aluminium.

Louvre

Beta – double parabolic reflector louvre with side and cross blades of satin matt, metallised aluminium with excellent reflection characteristics (> 92 %), integrated into a single unit.

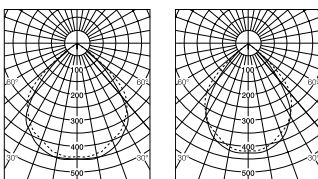
Reflector

Reflector of metallised aluminium.

Miscellaneous

For connectors and cables see accessories. The same luminaire is used as a single, start, continuous and end luminaire.

To calculate how many luminaires and accessories you will need to complete a run, please use our configurator at www.fagerhult.co.uk.



1×25/28 W

1×50/54 W



Dummy section 600 mm can be cut to the required length.

Single				Continuous			
W	A ¹	A ²		Start/Cont./End	Total A ¹	Total A ²	
1×13/14	574	A ¹ +22	A ¹ +10×80	570			
1×25/28/50/54	1174	A ¹ +22	A ¹ +10×80	1170			
1×32/35/45/49	1474	A ¹ +22	A ¹ +10×80	1470			
2×1×25/28/50/54	2343	A ¹ +22	A ¹ +10×80	2339	A ¹ +A ¹	A ¹ +A ¹ +26	Total A ¹ +10×80
2×1×32/35/45/49	2943	A ¹ +22	A ¹ +10×80	2939	A ¹ +A ¹	A ¹ +A ¹ +26	Total A ¹ +10×80



Fastening clip for easy installation in fixed ceilings.



Notor Recessed

Opal



Installation

Luminaire for recessed mounting in ventilated or unventilated suspended ceilings. Installed in suspended ceilings with visible T-bars, (25 or 15 mm) or fixed suspended ceilings.

Connection

Connection by means of a connection box on top of the luminaire. Wieland Chassis connector 3-way (GST 18i3), with dimming 5-way (GST 18i5). In a continuous installation the luminaire row should always begin with a start luminaire. With a continuous installation the luminaire units are interconnected with a connection cable in the connection box.

Design

Luminaire body in natural anodised, extruded aluminium. The fluorescent lamps in the continuous luminaires overlap, creating an unbroken luminous line.

Louvre

Opal – extruded profile in frosted acrylic (PMMA).

Reflector

Reflector of metallised aluminium.

Miscellaneous

A start luminaire used as a single installation is IP 44 from below, when both cover plates are used. For connectors and cables see accessories.

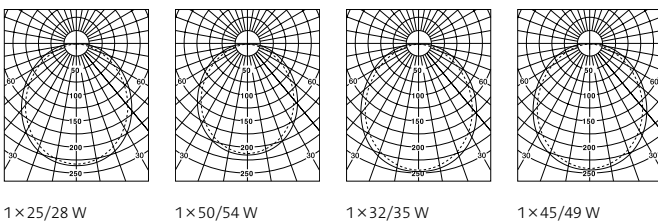
To calculate how many luminaires and accessories you will need to complete a run, please use our configurator at www.fagerhult.co.uk.

Luminaire, single installation			
FDH	kg	Length	
1×13/14	1.9	600	22900
1×20/24	1.9	600	22924
1×25/28	3.5	1200	22901
1×32/35	4.8	1500	22903
1×45/49	4.8	1500	22904
1×50/54	3.5	1200	22902
2×1×25/28	6.5	2400	22905
2×1×32/35	8.1	3000	22907
2×1×45/49	8.1	3000	22908
2×1×50/54	6.5	2400	22906

Suffix code	
	-368 DALI/Phase-pulse control
	-436 DALI/DSI/switchDIM

Add suffix code to the end of the luminaire part number to indicate required function. Only one suffix can be added.

Luminaire, continuous installation				
FDH	kg	Length	Start	Continuous/End
1×13/14	1.9	600	22909	22922
1×20/24	1.9	600	22923	
1×25/28	3.5	1200	22910	
1×32/35	4.8	1500	22912	
1×45/49	4.8	1500	22913	
1×50/54	3.5	1200	22911	22925
2×1×25/28	6.5	2400	22914	22918
2×1×32/35	8.1	3000	22916	22920
2×1×45/49	8.1	3000	22917	22921
2×1×50/54	6.5	2400	22915	22919



The Opal louvres in a continuous installation are held together with magnets to prevent unwanted gaps.



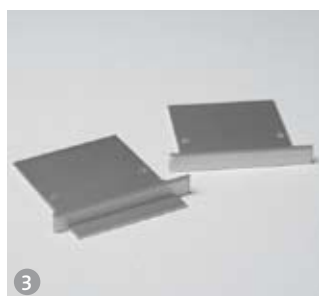
In the Delta, Lamell and Opal continuous variations the fluorescent lamps are overlapped to create an unbroken luminous line.

W	A ¹	A ²		Start A ¹	Cont./End A ¹	Total A ¹	Total A ²	
1×13/14	574	A ¹ +22	A ¹ +10×80	570	480			
1×25/28/50/54	1174	A ¹ +22	A ¹ +10×80	1170				
1×32/35/45/49	1474	A ¹ +22	A ¹ +10×80	1470				
2×1×25/28/50/54	2253	A ¹ +22	A ¹ +10×80	2249	2159	A ¹ +A ¹	A ¹ +A ¹ +26	Total A ¹ +10×80
2×1×32/35/45/49	2853	A ¹ +22	A ¹ +10×80	2849	2759	A ¹ +A ¹	A ¹ +A ¹ +26	Total A ¹ +10×80

t	h	Diagram	Dimensions
10-30	100		78.5, 71.5, 90.5
30-50	121		80
			A ¹ , A ² , 102, 114

Notor Recessed LED

Accessories



1. Mounting bracket	
Mounting bracket/pair	91045

2. Dummy section	
Dummy section 600 mm, Opal dropped	91120
Dummy section 600 mm, Opal flush	91121

3. End-cap	
End-cap/pair, Opal flush	91053
End-cap/pair, Opal dropped	91054

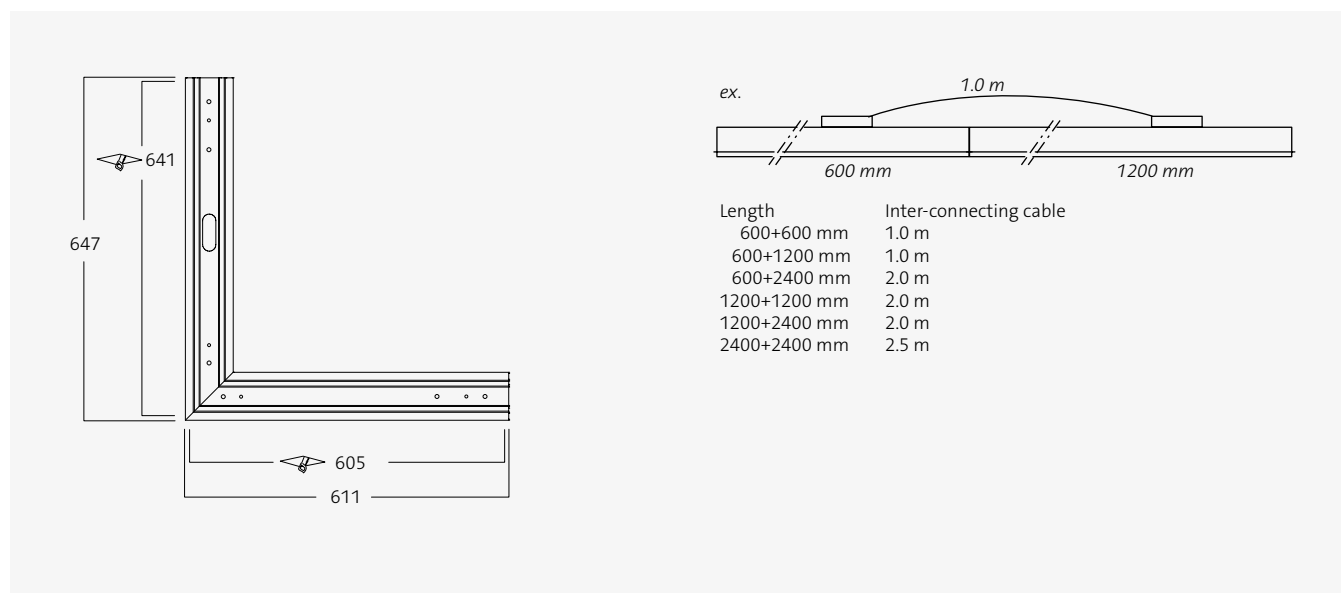
4. Cover unit	
Cover plate/pair provides IP 44 on dropped opal start luminaire used single installation. Cover plate comes with start luminaire.	91055

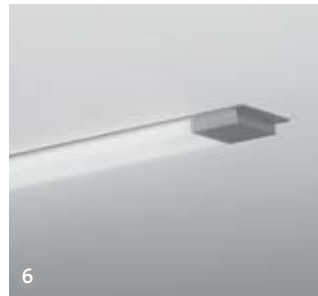
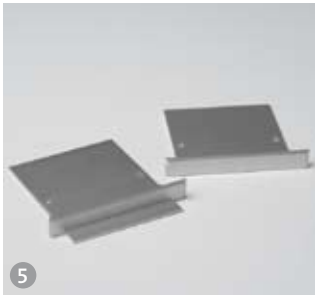
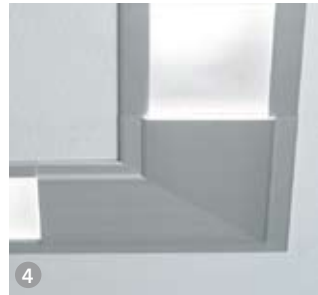
Mains cable	
1-phase, 3-way connectors (Wieland GST).	
Mains cable, female, length 2.0 m	91789
Mains cable, female + earthed plug, length 2.0 m	91790

Connection cables, quick connection system, 3-way	
White connection cable, female + male, cross-section 1.5 mm ² , 1-phase, 3-way connectors (Wieland GST).	
Length 1.0 m	91791
Length 2.0 m	91792
Length 2.5 m	91074
Length 3.0 m	91793

Mains cable	
1-phase + dimming (Wieland GST) 5-way.	
Mains cable, female, length 2.0 m	91022

Connection cables, quick connection system, 5-way	
Black connection cable, female + male, cross-section 1.5 mm ² , 1-phase + dimming (Wieland GST) 5-way.	
Length 1.0 m	91030
Length 2.0 m	91076
Length 2.5 m	91077
Length 3.0 m	91031





1. Mounting bracket	
Mounting bracket/pair	91045

2. Continuous coupler bracket	
Continuous coupler bracket/pair, Delta, Lamell, Opal	91046
Continuous coupler bracket/pair, Beta	91047

3. Dummy section	
Dummy section 600 mm, Lamell, Delta	91048
Dummy section 600 mm, Beta	91049
Dummy section 600 mm, Opal	91057

4. L-coupling	
L-coupling, Delta, Lamell	91050
L-coupling, Beta	91051
L-coupling, Opal	91052

5. End cap	
End-cap/pair, Delta, Lamell, Beta	91053
End-cap/pair, Opal	91054

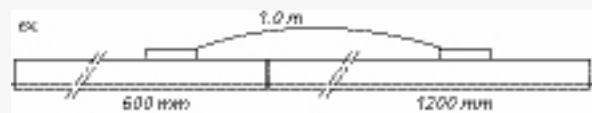
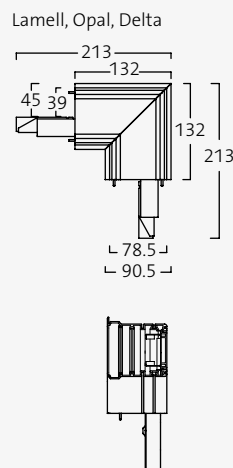
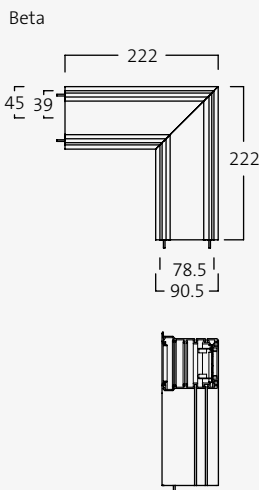
6. Cover unit, opal luminaire	
Cover unit/pair provides IP 44 for start luminaire mounted as single (only Opal)	91055

Mains cable	
1-phase, 3-way connectors (Wieland GST).	
Mains cable, female, length 2.0 m	91789
Mains cable, female + earthed plug, length 2.0 m	91790

Connection cables, quick connection system, 3-way	
White connection cable, female + male, cross-section 1.5 mm ² , 1-phase, 3-way connectors (Wieland GST).	
Length 1.0 m	91791
Length 2.0 m	91792
Length 2.5 m	91074
Length 3.0 m	91793

Mains cable	
1-phase + dimming (Wieland GST) 5-way.	
Mains cable, female, length 2.0 m	91022

Connection cables, quick connection system, 5-way	
Black connection cable, female + male, cross-section 1.5 mm ² , 1-phase + dimming (Wieland GST) 5-way.	
Length 1.0 m	91030
Length 2.0 m	91076
Length 2.5 m	91077
Length 3.0 m	91031



Length (Beta)	Inter-connecting cable	Length (Delta, Opal, Lamell)	Inter-connecting cable
600+1200 mm	1.0 m	600+1200 mm	2.0 m
600+1500 mm	1.0 m	600+1500 mm	2.5 m
600+2400 mm	2.0 m	1200+2400 mm	2.5 m
600+3000 mm	2.5 m	1200+3000 mm	3.0 m
1200+3000 mm	3.0 m	1500+2400 mm	2.5 m
1500+2400 mm	2.5 m	1500+3000 mm	3.0 m
1500+3000 mm	3.0 m	2400+2400 mm	2.5 m
2400+2400 mm	2.5 m	2400+3000 mm	3.0 m
2400+3000 mm	3.0 m	3000+3000 mm	3.0 m
3000+3000 mm	3.0 m		