

we-ef

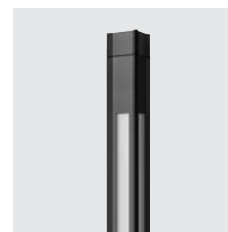
WE-EF LEUCHTEN
General Catalogue
European Edition
2019



IOS® Beam distributions for light columns

[C60] controlled, symmetric

Light columns



LTP400

144



LTM400

146

LTP400 SERIES

Trilight column, three sided light output, diffused distribution, symmetric.

IP44, Class I, IK10. Marine-grade, all aluminium construction. 5CE superior corrosion protection including PCS hardware. Powdercoat finish in RAL 7016, RAL 9004, RAL 9006, RAL 9007 or RAL 9016. Silicone rubber gaskets. Prismatic polycarbonate lenses, 3 x 120° offset. Anodised aluminium reflector.

Integral EC electronic converter.

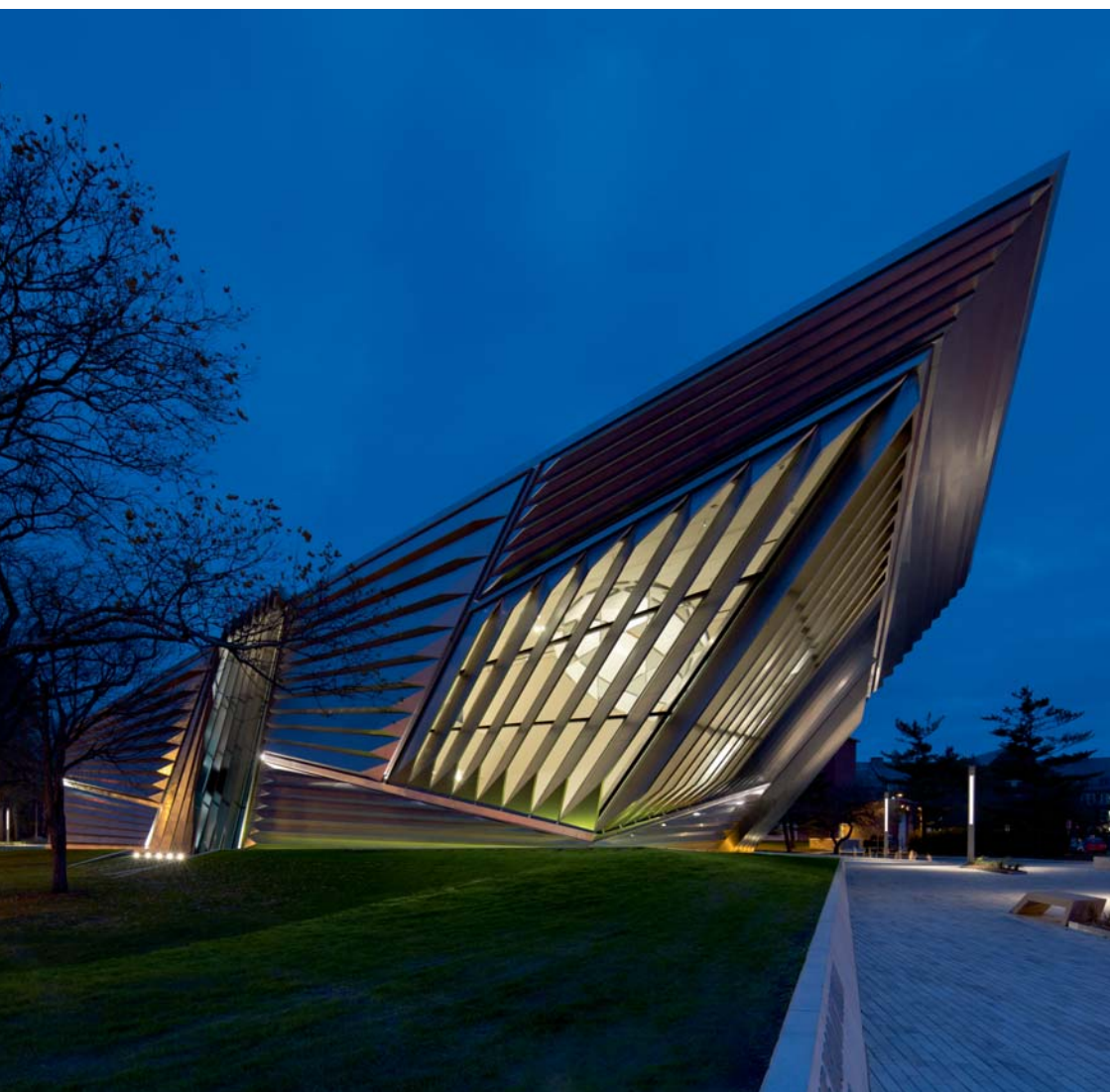
Factory installed LED circuit board. LED boards can be easily removed for upgrading.

Service door with fused cable connecting box.

Light source

LED 37 W, 3000 K,

for 4000 K refer to www.we-ef.com



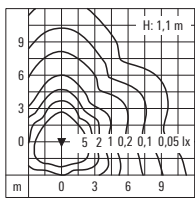
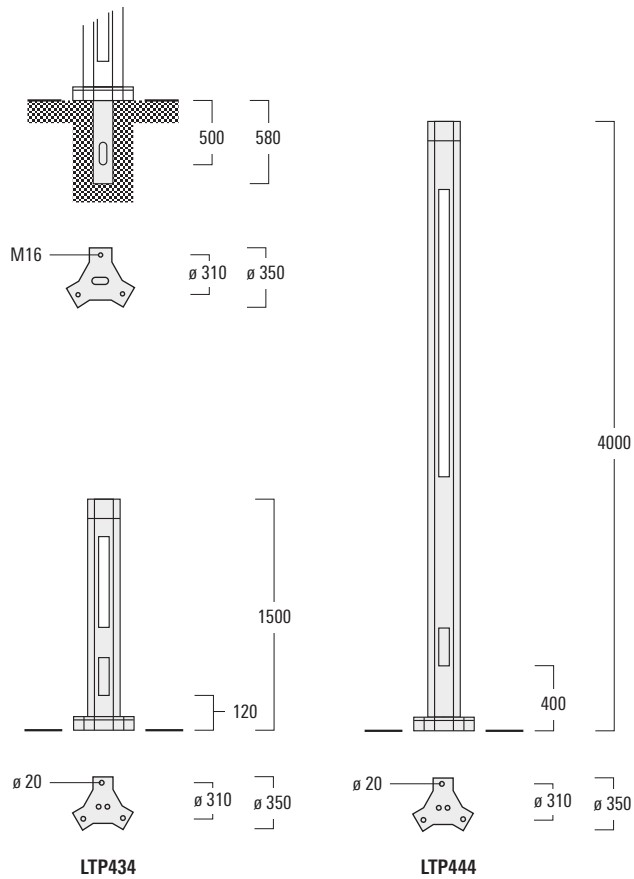
Eli and Edythe Broad Art Museum. Michigan State University. East Lansing, Michigan (USA). Architect: Zaha Hadid Architects. Lighting design: ARUP & Peter Basso Associates.



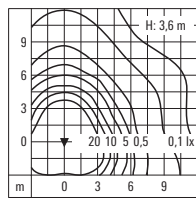
	Part ID	Light source	K	lm*	Factor**	kg
LTP434	116-0210	LED-FT 37 W	3000	6380	1.00	16.9
LTP444	116-0207	LED-FT 37 W	3000	6380	1.00	32.6

MOUNTING ACCESSORIES

ESD6 300-0456 10,4 kg
 Planted root made from hot dipped galvanized steel.



LTP434



LTP444

* Nominal lumen output based on LED manufacturers data at 25°C T_c. For rated lumens at 25°C T_q and latest data refer to www.we-ef.com.
 ** Multiplier for Isolux value

LTM400 SERIES

Light column, controlled distribution, symmetric.

IP66, Class I, IK09. Marine-grade, all aluminium construction. 5CE superior corrosion protection including PCS hardware. Powdercoat finish in RAL 7016, RAL 9004, RAL 9006, RAL 9007 or RAL 9016. Silicone rubber gaskets. Polycarbonate main lens.

Integral EC electronic converter.

CAD-optimised indirect optics for superior illumination and glare control.

Factory installed LED circuit board.

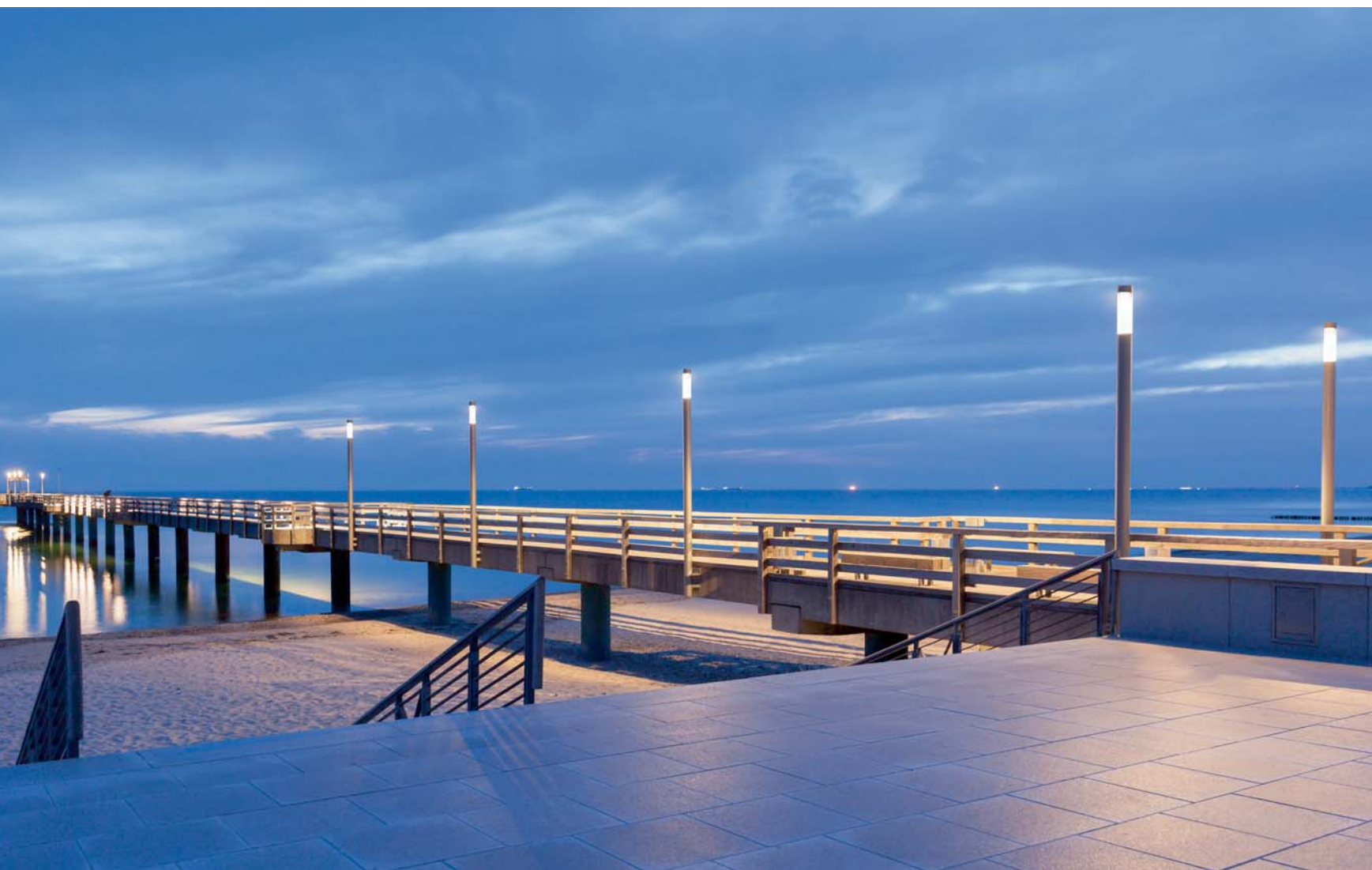
Service door with fused cable connecting box.

Light source

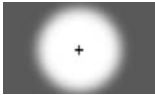
LED 17-37 W, 3000 K,
for 4000 K refer to www.we-ef.com

Light distribution

[C50] [C60] [S65] [R65]



Pier seaside Heiligendamm (D). Lighting design: Institut für Gebäude + Energie + Licht Planung, Prof. Dr.-Ing. Thomas Römhild, Wismar.



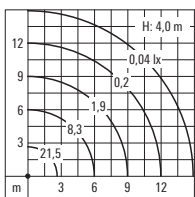
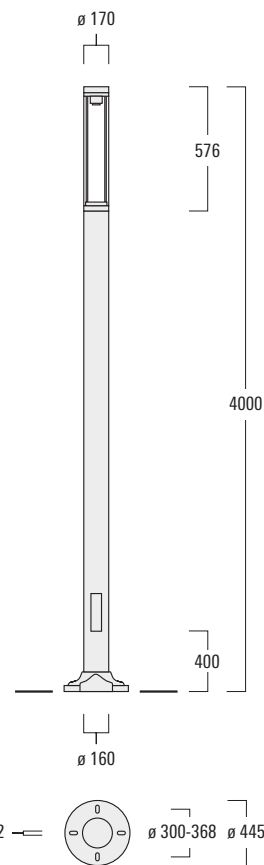
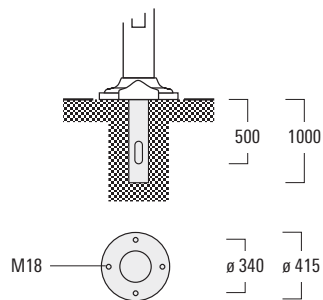
[C50]

[C50] Controlled distribution, symmetric

[C50]	Part ID	Light source	K	lm*	Factor**	kg
LTM440	115-1521	LED-FT 17W	3000	3070	1.00	25.0
	115-1523	LED-FT 24W	3000	4220	1.37	25.0
	115-1565	LED-FT 37W	3000	6380	2.07	25.0

MOUNTING ACCESSORIES

ESV10 300-0949 25,3 kg
 Planted root made from hot dipped galvanized steel.



[C50]

* Nominal lumen output based on LED manufacturers data at 25°C T_c. For rated lumens at 25°C T_q and latest data refer to www.we-ef.com.
 ** Multiplier for Isolux value





[C60]

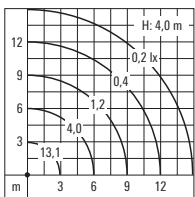
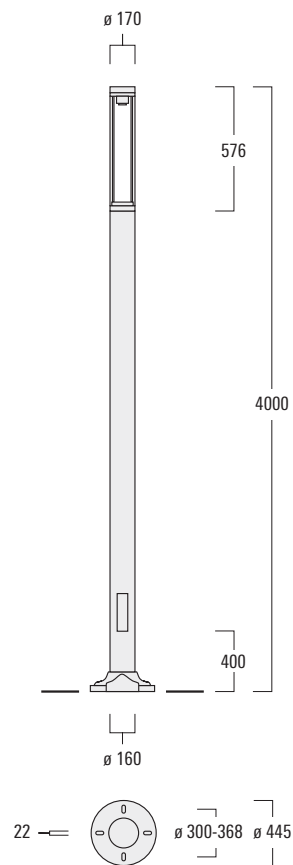
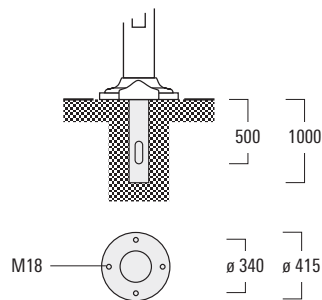
[C60] Controlled distribution, symmetric

[C60]	Part ID	Light source	K	lm*	Factor**	kg
LTM440	115-1517	LED-FT 17W	3000	3070	1.00	25.0
	115-1519	LED-FT 24W	3000	4220	1.37	25.0
	115-1563	LED-FT 37W	3000	6380	2.07	25.0

MOUNTING ACCESSORIES

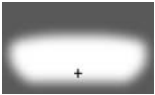
ESV10 300-0949 25,3 kg

Planted root made from hot dipped galvanized steel.

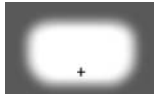


[C60]





[S65]



[R65]

[S65] Streetlighting distribution

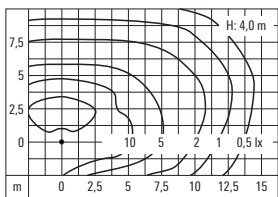
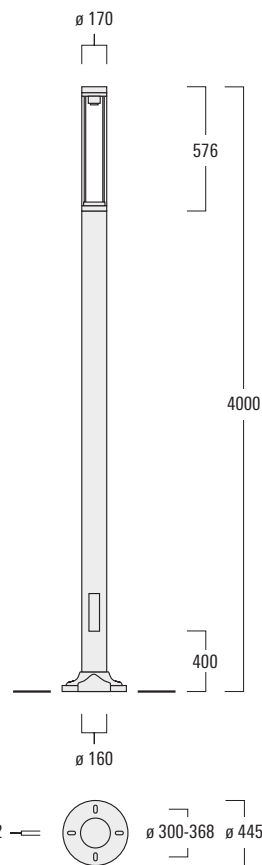
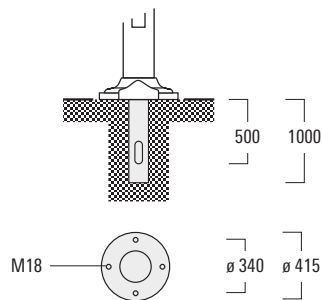
[R65] Rectangular forward throw distribution

[S65]	Part ID	Light source	K	lm*	Factor**	kg
LTM440	115-1525	9 LED 18W	3000	2213	1.00	25.0
	115-1569	9 LED 27W	3000	3510	1.59	25.0

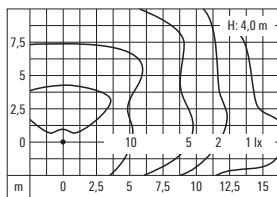
[R65]	Part ID	Light source	K	lm*	Factor**	kg
LTM440	115-1527	9 LED 18W	3000	2213	1.00	25.0
	115-1567	9 LED 27W	3000	3510	1.59	25.0

MOUNTING ACCESSORIES

ESV10 300-0949 25,3 kg
Planted root made from hot dipped galvanized steel.



[S65]



[R65]

* Nominal lumen output based on LED manufacturers data at 85°C T_c. For rated lumens at 25°C T_q and latest data refer to www.we-ef.com.
** Multiplier for Isolux value

