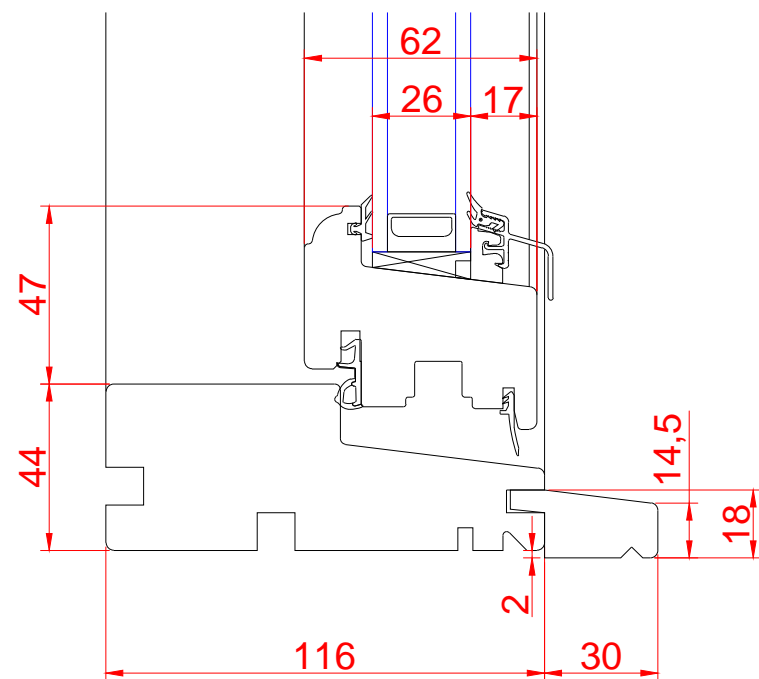
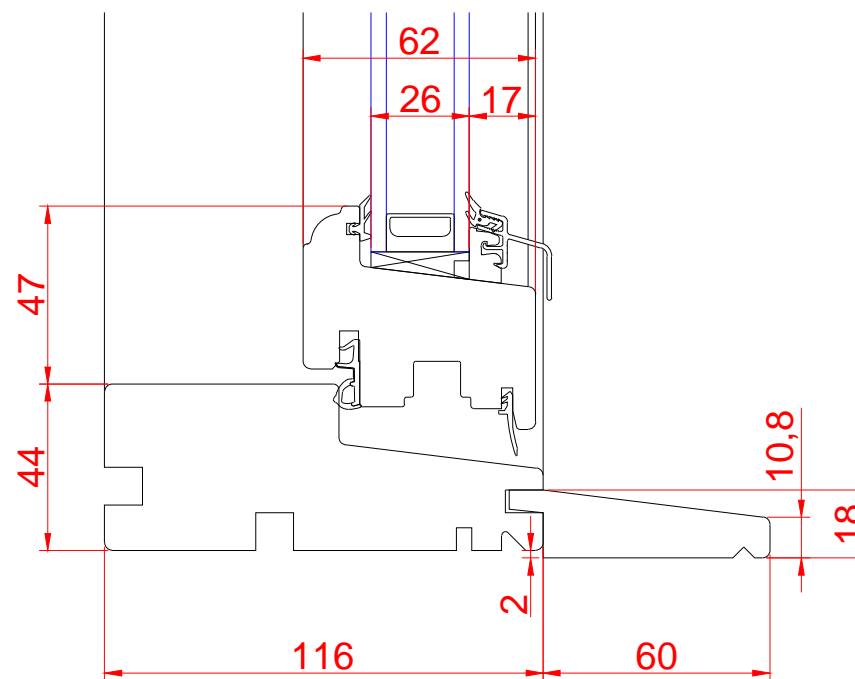


Unless otherwise indicated on our drawings no structural calculations have been carried out by Eximia in respect of designing any supporting steelwork necessary to carry the wind load or the dead load of multiple window and door assemblies and it is the client's responsibility to ensure the structural support is adequate for these loads

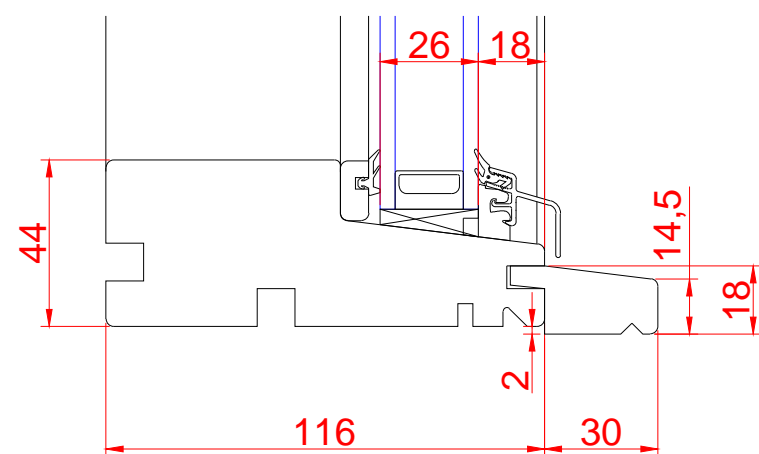
DO NOT SCALE IF IN DOUBT ASK



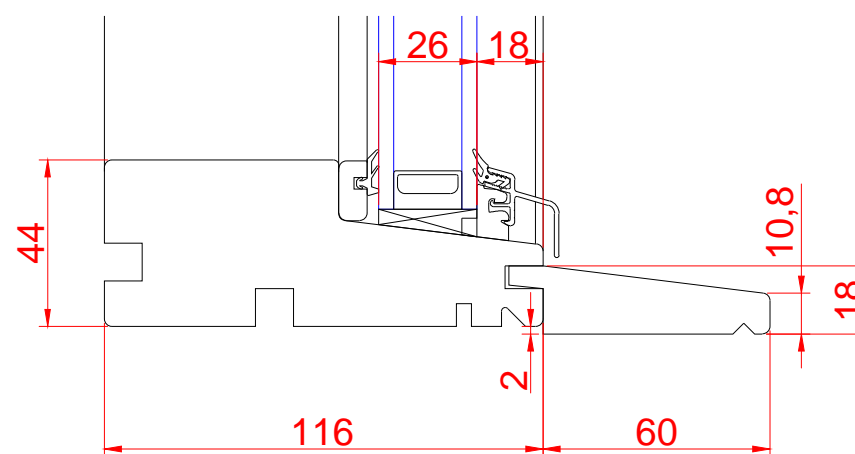
30mm Clip on cill



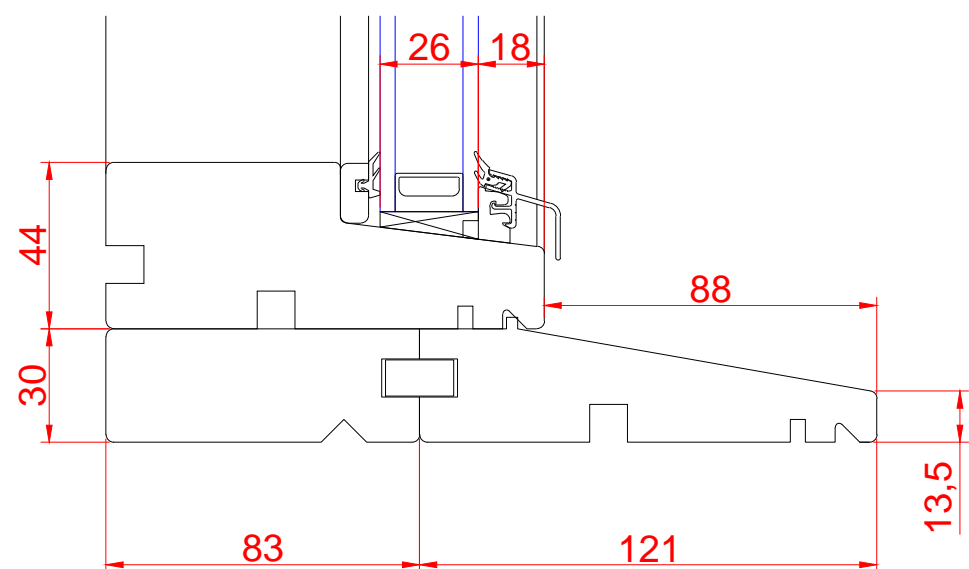
60mm Clip on cill



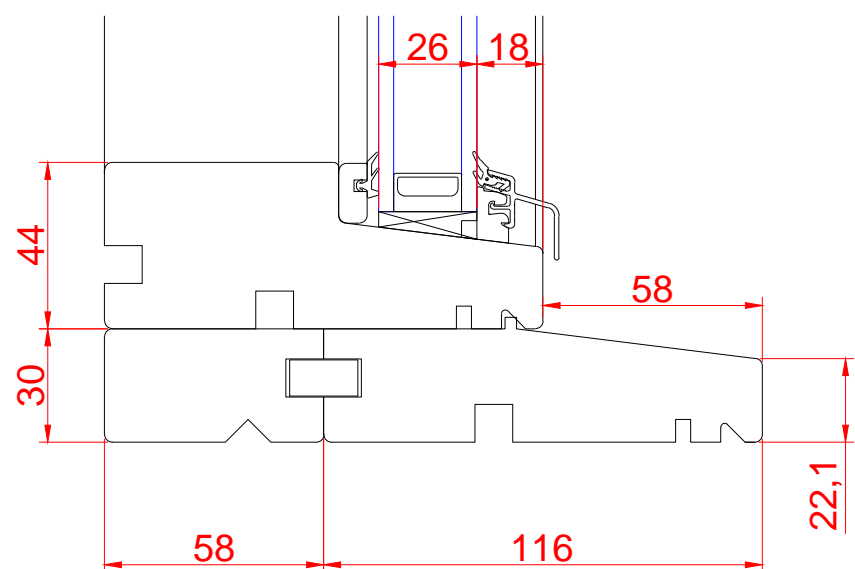
30mm Clip on cill



60mm Clip on cill



88mm Cill



58mm Cill

P1	Issued for approval	30-08-22	DSR
Revision	Description	Date	Revised By



Eximia Glazing Systems Ltd
Unit 32 British Fields
Ollerton Road, Tuxford
Newark, Notts, NG22 0PQ
T: 01777 819020
E: enquiries@eximaglazing.co.uk
W: www.eximaglazing.co.uk

Client	-
Project	-
Drawing Title	Vision Cill Options
Cad File Name	Drawn By
Vision 4	DSR
Date	Scale
30-08-22	1:2
Drawing Number	Revision
Vision 4	-

