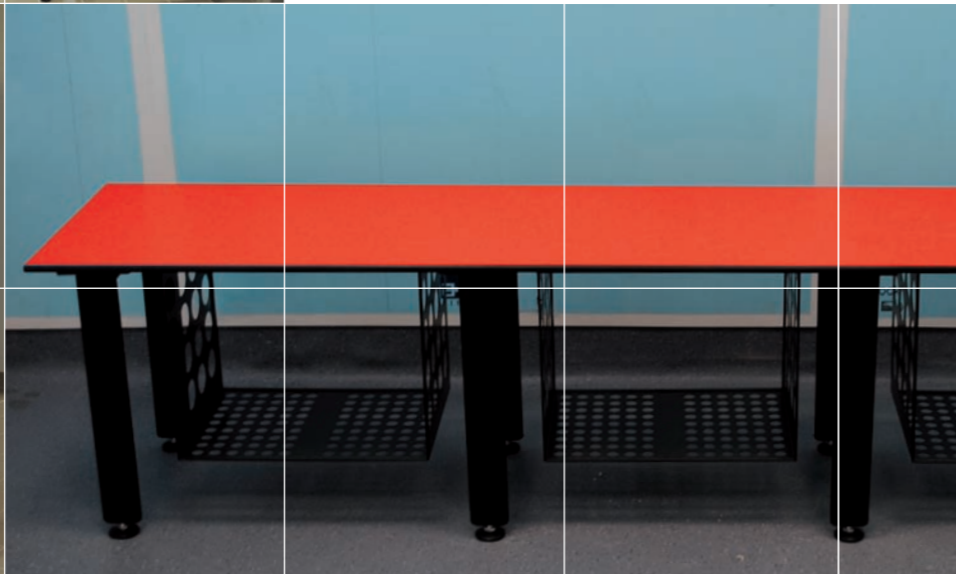


# Bench Seating Range

WASHROOMS FOR ALL ENVIRONMENTS

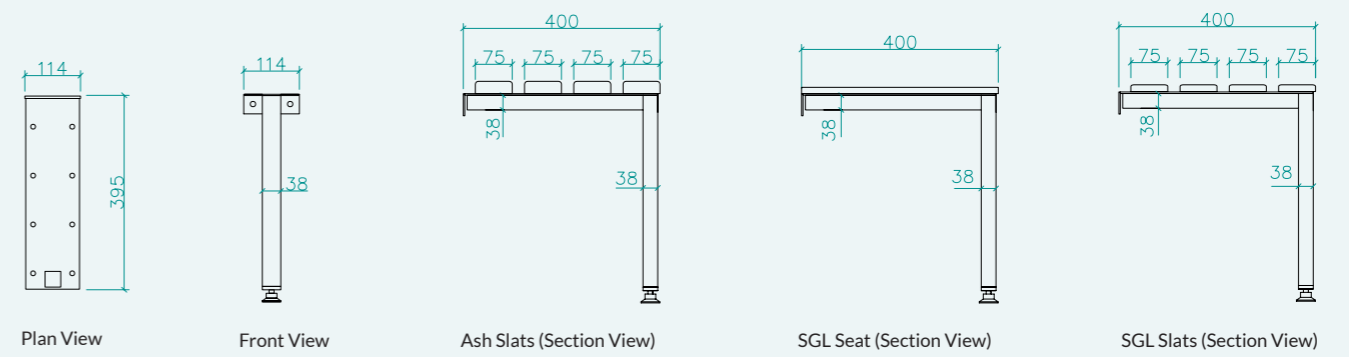


from **creation** to **installation**...  
you can rest assured

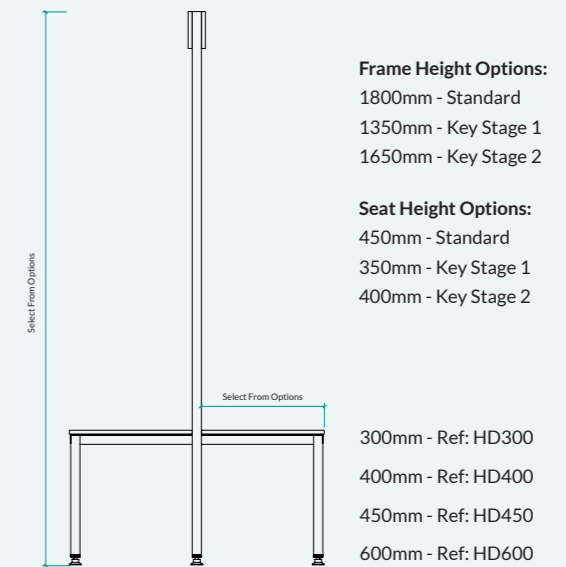
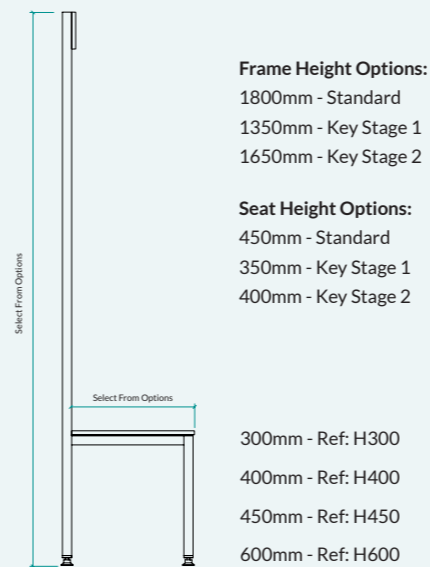
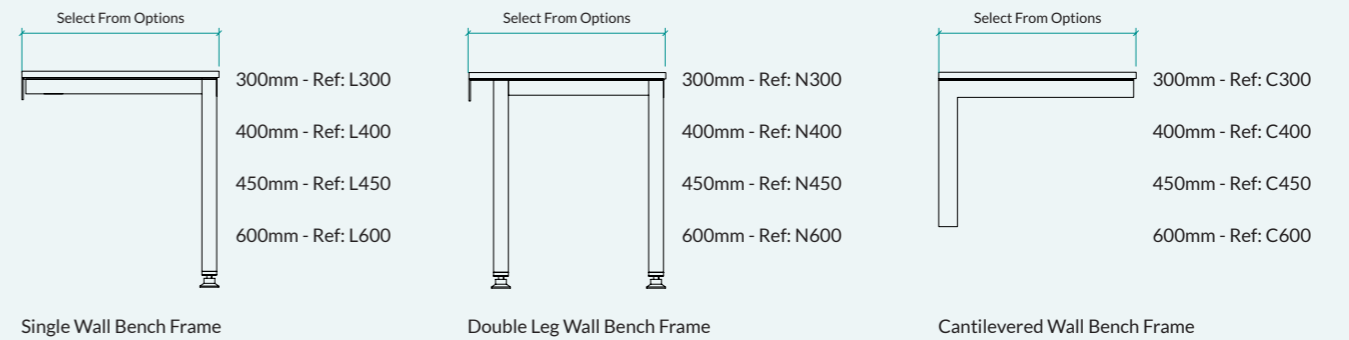
**excelsior**<sup>®</sup>  
washrooms for all environments

## Hydroline Seat Benching - Typical Details

Frame Sections & Seat Options (based on typical 400mm depth for illustration purposes)



### Frame Options



**excelsior**<sup>®</sup>  
washrooms for all environments

Excelsior Panelling Systems Ltd  
Unit 2, Woodside Industrial Estate, Pedmore Road, Dudley, West Midlands, DY2 0RL

Tel: +44 (0)1384 267770 Fax: +44 (0)1384 482127  
E-mail: enquiries@excelsiorps.co.uk Web: www.excelsior-cubicles.co.uk



# The ultimate bench seating cloakroom solution.

Our extensive range of Bench Seating will satisfy all your changing area and cloakroom requirements. Specialising in the Leisure, Education and Workplace facility environments. Included within our offer are three specific seat options and twenty frame permutations.

## from creation to installation... you can rest assured

Excelsior have undertaken the manufacture, supply and installation of bespoke washroom products in all washroom environments since 1978. We have a wide selection of safe, attractive and reliable systems to suit all applications, from nursery schools right through to leisure centres and hospitals.

All levels of durability are catered for to meet the end users commercial constraints, combining innovation with practicality.

### Excelsior Oval Plus Seat Benching

- Framework 60mm x 30mm Powder coated steel oval section, c/w adjustable feet.

#### Seat Options:

- A - 25mm x 75mm Ash Hardwood Slats finished with 2 coats of AC Lacquer.
- B - 12mm Solid grade laminate continuous seat with radii machined edges.

#### Dimensions:

- Seat Heights 450mm standard, 350mm KS1, 400mm KS2
- Seat Depth Options - 300mm, 400mm, 450mm & 600mm.
- Frame Heights 1800mm standard, 1350mm KS1, 1650mm KS2
- Integral or loose coat hooks and rails available upon request.
- Bespoke sizes available upon request.

### Excelsior Oval Plus Coat Rails

- Option A - 25mm Solid Ash Hardwood Slats finished with 2 coats of AC Lacquer.
- Option B - 12mm Solid Grade Laminate.
- Coat Hooks - Nylon, SAA or Stainless Steel available for selection upon request.

#### Finishes:

**Frame Colours:** Signal Black (RAL 9004), Graphite Grey (RAL 7024) or Silver Grey (RAL 9006) as standard (other colours available on request).

**Hardwood Slats:** Solid 25mm Ash Hardwood. Finished with 2 coats of AC Lacquer.

**Solid Grade Laminate Slats/Seats:** 12mm SGL from Excelsior Cubicle & Washroom Colour Selection.

### Excelsior Hydroline Seat Benching

- Framework 38mm x 38mm Powder coated Steel box section, c/w adjustable feet.

#### Seat Options:

- A - 25mm x 75mm Ash Hardwood Slats finished with 2 coats of AC Lacquer.
- B - 12mm Solid Grade Laminate continuous seat/or slats with radii machined edges.

#### Dimensions:

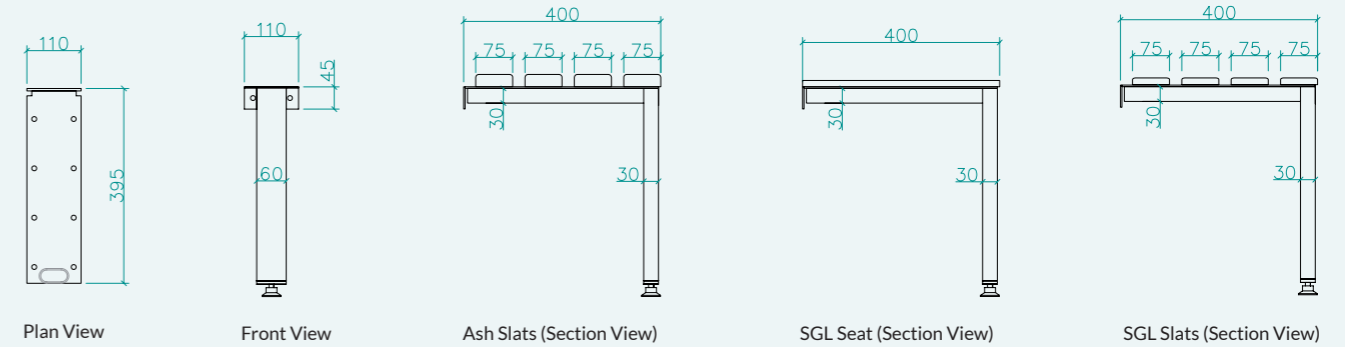
- Seat Heights 450mm standard, 350mm KS1, 400mm KS2
- Seat Depth Options - 300mm, 400mm, 450mm & 600mm.
- Frame Heights 1800mm standard, 1350mm KS1, 1650mm KS2
- Integral or loose coat hooks and rails available upon request.
- Bespoke sizes available upon request.

### Excelsior Hydroline Coat Rails

- Option A - 25mm Solid Ash Hardwood Slats finished with 2 coats of AC Lacquer.
- Option B - 12mm Solid Grade Laminate.
- Coat Hooks - Nylon, SAA or Stainless Steel available for selection upon request.

## Oval Plus Seat Benching - Typical Details

Frame Sections & Seat Options (based on typical 400mm depth for illustration purposes)



### Frame Options

