



Low Light Speed Dome

Orion DX 2 Low Light Edition

- Starvis™ CMOS Sensor 0.02 Lux Colour
- 60fps @ 1080p – 30fps @ 1080p
- Wide Dynamic Range 120dB
- EIS Ernitec Image Stabilization
- 30x P-Iris Zoom Lens
- De-Fog
- Quad Stream
- PoE + (IEEE 802.3at)
- OnVif
- 3 year Warranty

Starvis™ Sensor

The Orion DX 2 is a full HD IP speed dome camera featuring Sony's Starvis™ back-illuminated pixel technology CMOS image sensor producing a colour sensitivity down from 0.20 lux in colour to 0.02Lux offering a massive improvement in light sensitivity. The dome also includes an integrated motorised 30x optical zoom with autofocus.

Ultra Wide Dynamic Range

The Orion DX 2 benefits from 120dB Ultra Wide Dynamic Range performance making this dome ideal for surveillance in areas with strong variations in light, for instance close to large windows and entrances or where the sunlight creates both very bright zones and dark shadows.

Designed For Constant Use

The camera is designed for round-the-clock pan/tilt/zoom operation in outdoor environments, and can be automatically directed to 256 pre-set positions, With endless 360° pan, they enable surveillance of an extremely wide area.

Hi-POE

Orion DX 2 offers easy and reliable installation with High Power over Ethernet (PoE+ ultra) which simplifies installation since only one cable is needed to carry power as well as video and PTZ controls. The camera mount is designed with easy bayonet mounting enabling connection to the wide range of Ernitec mounting accessories, including ceiling, wall, pole or corner installations.

Ernitec Image Stabilization

The new Orion DX2 version is equipped with EIS (Ernitec Image Stabilization) which enables the speed dome to capture objects at distance with very high precision without the image shake you get from other dome cameras.

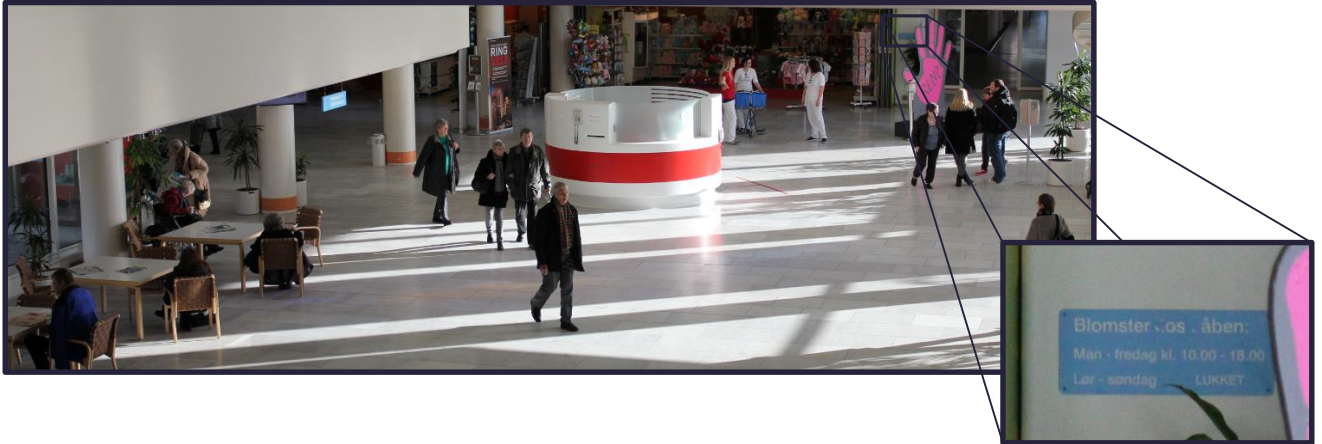
Environment Protection

Orion DX 2 domes are IP66 protection against dust, rain and snow and can operate in extreme cold temperatures. The cameras' extreme cold control function ensures safe start-up from -40 °C (-40 °F) with a maximum operating temperature of 60°C (-49°F ~ 140°F)

Ernitec Orion DX Series

30x Optical Zoom

Fitted with 30x optical and 8x digital zoom including autofocus lens. Using the tour guard function enables the camera to patrol the area. Whereby the camera can automatically go to different preset positions to check on different areas of a scene. When the camera is fully zoomed out you get a fantastic wide angle overview image from the dome when running full HD.

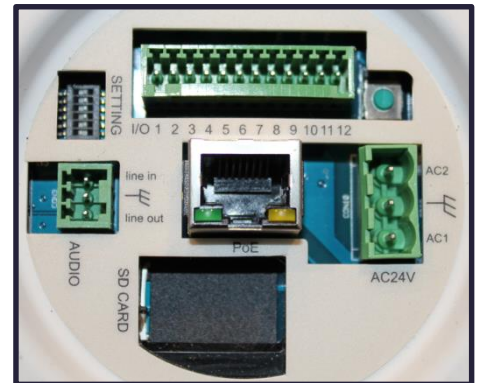


UWDR (Ultra wide dynamic range)

The domes come fitted as standard with ultras wide dynamic range enabling the dome to be fitted in extreme lighting conditions. With excellent colour reproduction.

Fast, Reliable and easy installation

The cameras support high Power over Ethernet (PoE) IEEE 802.3at, enabling easy installation. The cameras simply connect to either a PoE-enabled switch or via a PoE mid-span to a switch using one network cable to carrying power, video and PTZ controls.



Auto Tracking

The cameras support auto tracking, features include; Built-in Video Intelligence Program, Adjustable Maximum Tilt and Pan Angle Setting, Adjustable Detection Area Percentage / Sensitivity, Home Function Support, Guard Timer Setting.

Function Activation by License Key. EDP No: 0070-10015

Follow us on



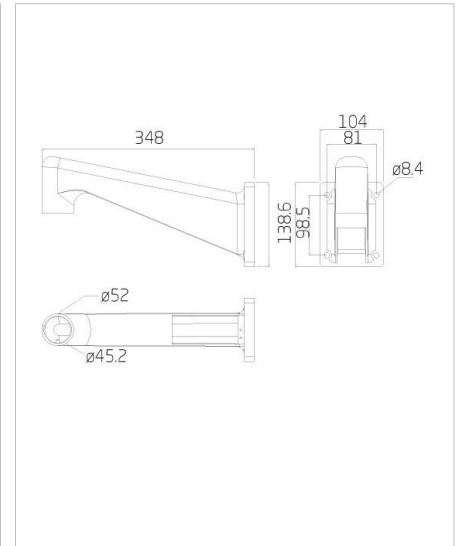
© 2015 Ernitec. All rights reserved
www.ernitec.com

Ernitec
Tempovej 41
2750 Ballerup
Denmark

Optional Mounting Accessories

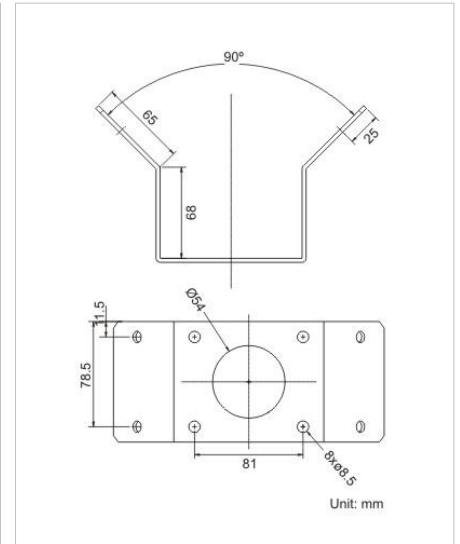
Gooseneck Mount

Dimensions: 384×104×136.5 mm
 Weight: 1.75 kg
 Supplied with rubber washer and 4x M8x12 screw .
 Part number 0017-05205



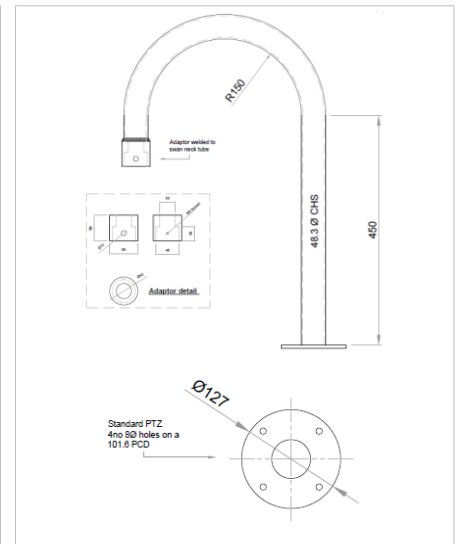
Corner Plate

For mounting with Mini Gooseneck
 Dimensions: 270×166×95 mm
 Supplied with washer-8 x4, spring washer-8 x4, M8x16 screw x4 and M8 nut x4.
 Part number 0017-05203



Swan Neck Pole Mount

Dimensions: 450 mm to Bend
 Diameter: 48.3mm
 Weight: 2.7 kg
 Part number 0017-05220

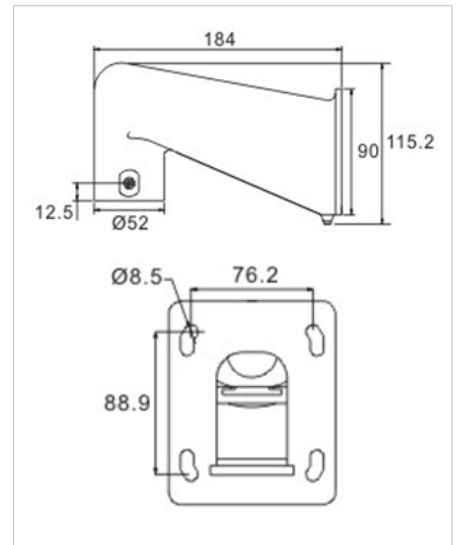


RO2EN08.16

Optional Mounting Accessories

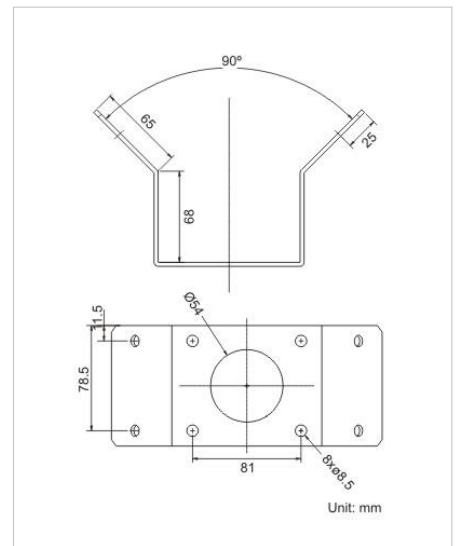
Mini Gooseneck Mount

Dimensions: 184×104×115.2 mm
Weight: 0.6 kg
Supplied with rubber washer and 4x M8x12 screw .
Part number 0070-10007



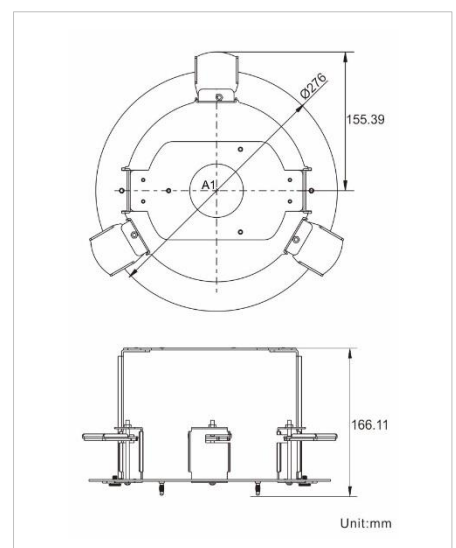
Mini Corner Plate

For mounting with Mini Gooseneck
Dimensions: 270×166×95 mm
Supplied with washer-8 x4, spring washer-8 x4, M8x16 screw x4 and M8 nut x4.
Part number 0070-10004



In-Ceiling (T-Bar) Mount

For In-Ceiling Installation.
Height: 166 mm (6.5 inches)
Diameter: 276 mm (10.9 inches)
Weight: 1.1 kg
Part number 0070-10011



Follow us on



ONVIF

© 2015 Ernitec. All rights reserved
www.ernitec.com

Ernitec
Tempovej 41
2750 Ballerup
Denmark

RO2EN08.16

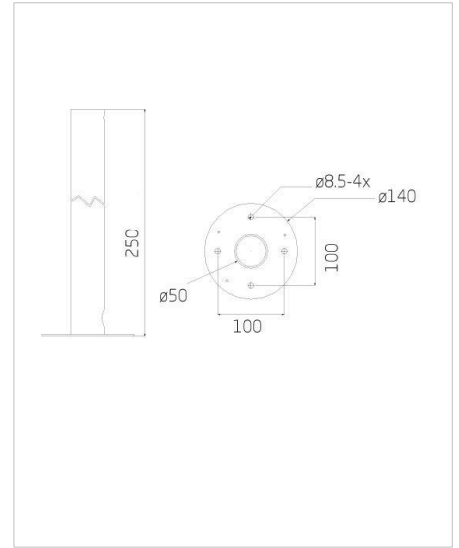
Optional Mounting Accessories

Straight Tube 25CM

ORION 25CM STRAIGHT TUBE

Dimensions $\varnothing 50 \times 250 \times \varnothing 140$ mm

Part number 0070-10025



Straight Tube 50CM and 100CM

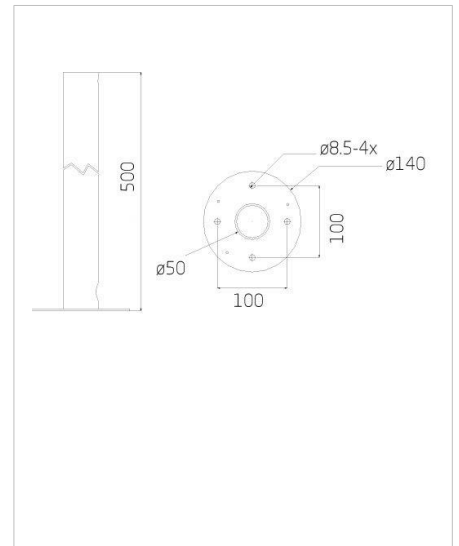
ORION 50CM STRAIGHT TUBE

Part number 0017-05208

Dimensions $\varnothing 50 \times 500 \times \varnothing 140$ mm

Part number 0070-10100

Dimensions $\varnothing 50 \times 1000 \times \varnothing 140$ mm



New Dome Cover Options

Vandal Proof water repelling hemisphere

Part number 0070-10021

Smoked hemisphere

Part number 0070-10014



Optional Mounting Accessories

Pole Mount Thin

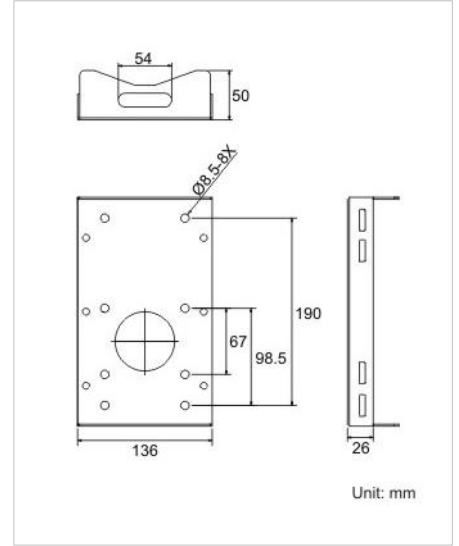
Dimensions: 232×136×60 mm

Diameter: 112~130 mm

Weight: 0.7 kg

Supplied with stainless steel straps x4, M8x16 screw x4, washer x4 and spring washer-8 x4.

Thin: Part number 0070-10002



Pole Mounting Wide

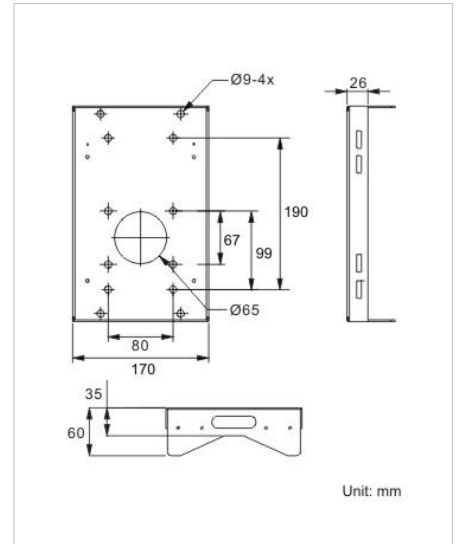
Dimensions: 270×170×60 mm

Diameter: 112~140 mm

Weight: 1 kg

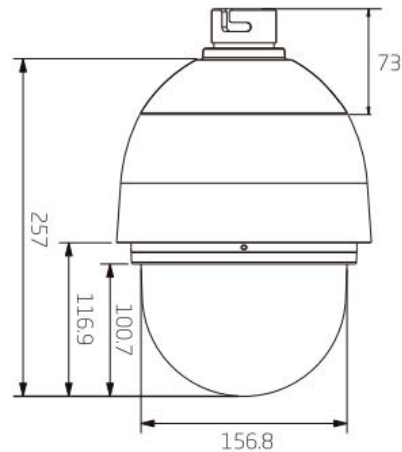
Supplied with M8x16 screw x4, washer x4, stainless steel straps x4 and spring washer-8 x4.

Part number 0070-10003



Orion Housing

Orion housing drawing with dimensions.



Follow us on



ONVIF

© 2015 Ernitec. All rights reserved
www.ernitec.com

Ernitec
Tempovej 41
2750 Ballerup
Denmark

Technical Specification Orion DX 822OPH

Camera	
Camera type	Outdoor PTZ day / night (ICR Type)
Effective Pixels	1920 (H) x 1080 (V)
Image Sensor	1/2.8" Sony Starvis™ Sensor
Electronic Shutter Speed	1~1/10.000 sec.
Min. Illumination	0.02 Lux (Colour), 0.005 Lux (B/W), F1.4
Day/night switching	Mechanical IR-cut
Video	
Video Compression	H.264 Main Profile and MJPEG
Video Streaming	Multiple streams, H.264 + MJPEG / H.264 + H.264
Frame Rate	30 fps @ 1080P 60 fps @ 1080P
Resolution	Full HD1080p/ SXGA/ HD720p XGA/SVGA/ D1/ VGA/ CIF/QVGA
Brightness	On / Off
AGC Control	Auto / Manual
White Balance	Manual / ATW/ Auto
Digital Zoom	Yes
UWDR	Up to 120dB
2D / 3D Noise	On/Off
Image Stabilization (ESI)	On/Off
De-Fog	On/Off
Privacy Zone	16
Motion detection	Motion Detection Window x 4 sets
Operation	
Pan Travel	360° endless
Tilt Travel	-10 ° ~ 190°
Manual Speed	0.5° ~ 90°/s
Presets	256
Preset Resolution	0.225°
Preset Speed	0.5° ~ 400°/s
Sequence	8
Auto-Pan	4
Cruise	8
Proportional Pan & Tilt	On / Off (Pan and tilt speed is proportional to zoom ratio)
Resume after Power Loss	Yes
Home Function	Preset, Sequence, Auto-Pan, Cruise
Zone Title	16
Network	
Network Interface	Ethernet (RJ45) 1 Gbps
Supported protocol	IPv4/v6, TCP/IP, UDP, RTP, STPS, HTTP, HTTPS, ICMP, FTP, SMTP, DHCP, PPPoE, Upnp, IGMP, SNMP, QoS, ARP
Internet Browser	Internet Explorer (6.0+), Chrome, Firefox, Safari
Password Levels	User / Administrator
User Account	20
Event Notification	HTTP, FTP, SMTP

Lens	
Lens type	Motorized with P-iris
Focal Length	4.4~ 132 mm
Focus Mode	Auto / Manual
Iris Range	F1.4-360
Iris	Auto / Manual
FOV	60.5° (Wide) - 2.3° (Tele)
General	
OnVif	Yes, OnVif profile S
Edge Storage	SD/ SDXC card slot (card is not included)
Audio	Two-way /G.711 /G.726
Digital In/out	4 /2
Analog Video Output	1Vpp, 75Ω, PAL BNC connector class 2
Power Voltage	802.3at PoE+ (60W)/ AC 24V ± 10%
Power Consumption	Max. 25W / 55W (w/ Heater)
Power Connector	3 pins terminal block / RJ45
Fan & Heater	Heater 24VAC / POE + 55W)
Fan	Yes
Environmental Casing	Weatherproof IP66
Languages	DE, ES, FR, IT, PT, RU, UK
Sustained Operating Temperature	-40°C ~ 50°C (-40°F ~ 122°F)
Operating Temperature	-40°C ~ 60°C (-40°F ~ 140°F)
Absolute maximum 4 hours	
Humidity	10% ~ 90% RH
Dimensions	ø192 x 282mm
Weight (Net)	Approx. 2320g
Warranty	3 years
Included accessories	Installation and Management software DVD, 24V AV 3A PSU
Part number	0070-05822

Optional accessories	
Auto Tracking License	0070-10015
1ch video management software	0063-99999
Mini Gooseneck	0070-10002
Corner Plate Mini	0070-10004
Swan Neck Bracket	0070-10011
Pole Thin Direct Mounting	0070-10002
Pole Wide Direct Mounting	0070-10003
Vandal Proof Dome cover	0070-10021
60 Watt Power Injector	ELECTRA-P-60W

DISTRIBUTED BY



We reserve the right to introduce product modifications without notice

Follow us on



© 2015 Ernitec. All rights reserved
www.ernitec.com

Ernitec
Tempovej 41
2750 Ballerup
Denmark

ROZEN0816