

TECHNICAL SPECIFICATIONS

MESA®

S U P P O R T



ENVIROBUILD.COM



+44 (0) 208 088 4888

Version 2.0

©EnviroBuild 2018



CONTENTS

Technical specifications	01
Decking Pedestal overview	02
Paving Pedestal Overview	03
Full size range	04
Maximum Loading Weights	05
Breaking Loads	06





TECHNICAL SPECIFICATIONS

SKU	HEIGHT RANGE (MM)
Material	90% recycled Polypropylene and 10% Talc, UV stabilizers, black masterbatch.
Recyclable	100% recyclable
Operating temperature	-40°C to 120°C
Height Range	10 - 595mm
Head Diameter	140mm
Base Diameter	200mm
Frost Resistant	Yes
Salt Water Resistant	Yes
Water Absorption Rate	0.00%

APPLICATIONS

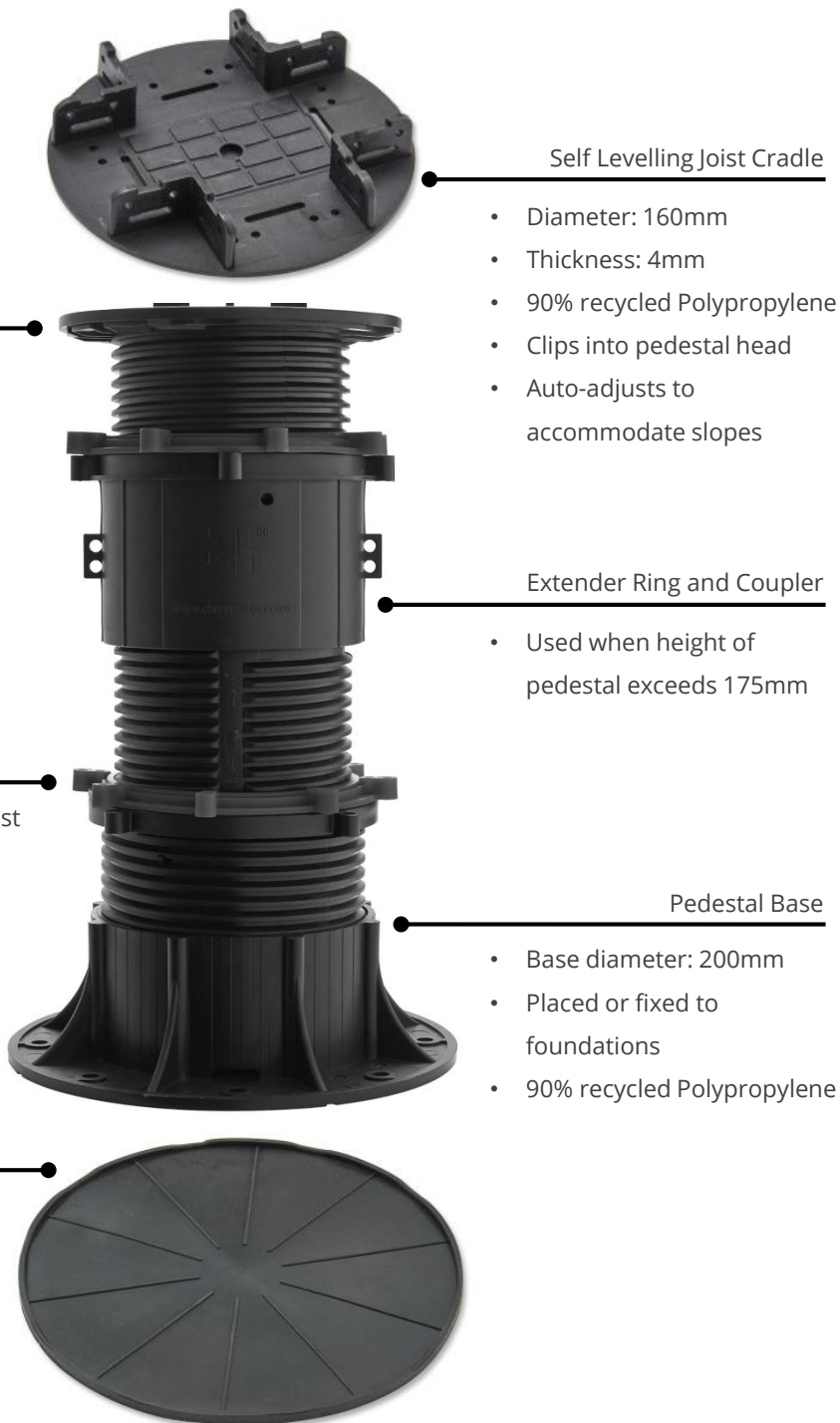
- High traffic - commercial to residential
- Decking joist support
- Tiling Support
- Metal grate support
- Fiberglass grid support





DECKING PEDESTAL OVERVIEW

MESA Support pedestals are the most robust, intelligent and sustainable supports in the market. They can support loads of up to 1000KG and come with a 20 year limited warranty. With adjustable heights ranging from 10mm-1280mm they give you complete control of the height of the area



Self Levelling Joist Cradle

- Diameter: 160mm
- Thickness: 4mm
- 90% recycled Polypropylene
- Clips into pedestal head
- Auto-adjusts to accommodate slopes

Pedestal Head

- Head diameter: 150mm
- 90% recycled Polypropylene
- Can be used by itself or with the attachable joist cradle

Extender Ring and Coupler

- Used when height of pedestal exceeds 175mm

Fixing Collar Ring

- Locks height adjustment against vibration or shock movement
- 90% recycled Polypropylene

Pedestal Base

- Base diameter: 200mm
- Placed or fixed to foundations
- 90% recycled Polypropylene

Rubber Matt

- Base diameter: 200mm
- Ideal for roof terraces
- Recycled rubber





PAVING PEDESTAL OVERVIEW

MESA pedestals are the most robust, intelligent and sustainable supports in the market. They can support loads of up to 1000KG and come with a 20 year limited warranty. With adjustable heights ranging from 10mm-1280mm they give you complete control of the height of your decking.

Rubber Shim

- Rubber spacing shims for fine tune levelling
- 1 or 2mm thickness
- Improved noise dampening
- 100% recycled rubber



Paving Spacer & Spacing Tabs

- Individual tiling spacer tabs for polygon tiling.
- 2mm, 3.5mm and 5mm spacing options
- Easy clip in system
- 90% recycled Polypropylene
- Quick & simple to install, saving you time over traditional supports

Pedestal Head

- Head diameter: 150mm
- 90% recycled polypropylene



Fixing Collar Ring

- Locks the height adjustment against vibration or shock movement
- 90% recycled polypropylene

Extender Ring and Coupler

- Used when the height of the pedestal exceeds 175mm

Rubber Matt

- Base diameter: 200mm
- Ideal for roof terraces
- Recycled rubber



Pedestal Base

- Base diameter: 200mm
- Placed or fixed to the foundations
- 90% recycled polypropylene





FULL SIZE RANGE

Pedestals between 10 - 77mm will arrive pre-assembled. Pedestals 78mm and above will need to be assembled upon delivery. A full list of components per pedestal can be found in the table below.



Head + Fixing Collar



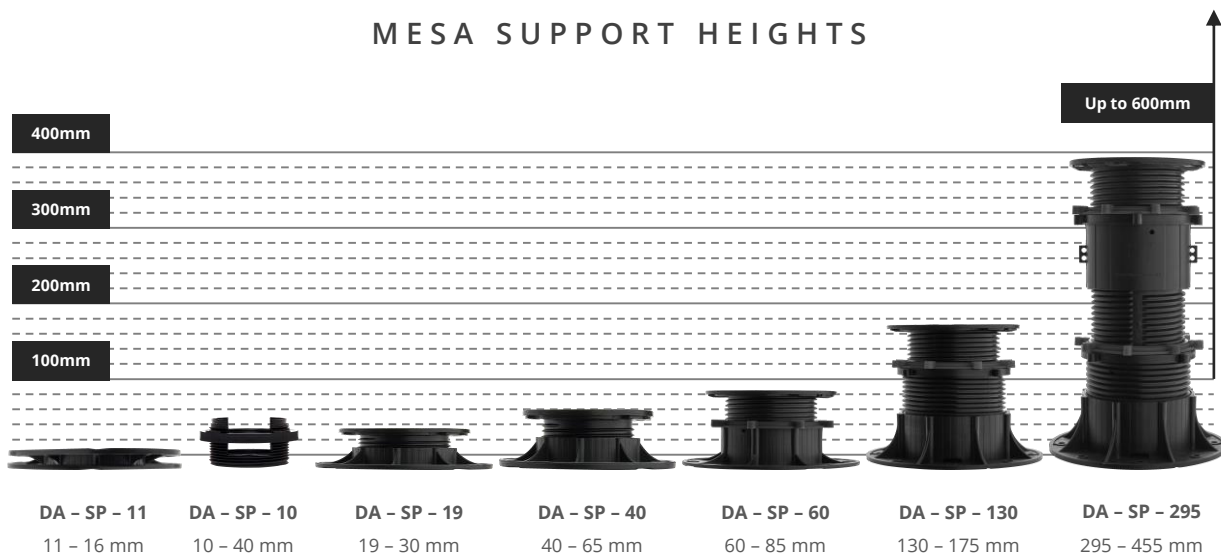
Extender and Fixing Collar



Base

SKU	HEIGHT RANGE (MM)	COMPONENTS FOR ASSEMBLY			
		78mm Head + Fixing Collar	123mm Head + Fixing Collar	Extender and Fixing Collar	65mm Base
DA-SP-80	80 - 130	1	-	-	1
DA-SP-130	130 - 175	-	1	-	1
DA-SP-170	170 - 265	1	-	1	1
DA-SP-205	205 - 315	-	1	1	1
DA-SP-295	295 - 455	-	1	2	1
DA-SP-365	365 - 595	-	1	3	1

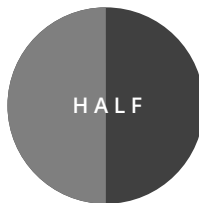
MESA SUPPORT HEIGHTS





MAXIMUM LOADING WEIGHT

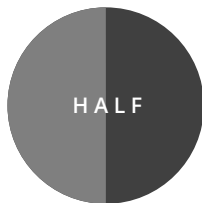
SKU	HEIGHT RANGE (MM)	MAX LOADING (KG)		
		FULL	HALF	QUARTER
DA-SP-10	10 - 40	74	N/A	N/A
DA-SP-12	12.5	6325	3535	1990
DA-SP-11	11 - 16	1970	1622	957
DA-SP-19	19 - 30	1815	1505	791
DA-SP-26	26 - 40	4428	2475	1393
DA-SP-40	40 - 65	1284	1057	556
DA-SP-60	60 - 85	1323	1074	553
DA-SP-80	80 - 130	1337	1134	560
DA-SP-130	130 - 175	1564	1288	654
DA-SP-170	170 - 265	1295	1050	577
DA-SP-205	205 - 315	1218	1033	553
DA-SP-295	295 - 455	1173	984	550
DA-SP-365	365 - 595	1120	966	532





BREAKING LOAD

SKU	HEIGHT RANGE (MM)	BREAKING LOADS (KG)		
		FULL	HALF	QUARTER
DA-SP-10	10 - 40	148	N/A	N/A
DA-SP-12	12.5	13836	7765	3922
DA-SP-11	11 - 16	3881	3197	1887
DA-SP-19	19 - 30	3726	3100	1811
DA-SP-26	26 - 40	9685	5435	2745
DA-SP-40	40 - 65	2627	2173	1264
DA-SP-60	60 - 85	2709	2181	1208
DA-SP-80	80 - 130	2726	2203	1210
DA-SP-130	130 - 175	3175	2424	1391
DA-SP-170	170 - 265	2609	2173	1260
DA-SP-205	205 - 315	2562	2074	1181
DA-SP-295	295 - 455	2526	1971	1108
DA-SP-365	365 - 595	2472	1944	1106





ENVIRO
BUILD

MESA®

S U P P O R T

ENVIROBUILD.COM



+44 (0) 208 088 4888

EnviroBuild Materials Ltd. Unit 210, Bon Marche Centre, 241-251 Ferndale Road, London, SW9 8BJ