



ZOO Fan SDF

Wiring Diagrams

t: 01384 275800
f: 01384 275810
e: bs@eltafans.co.uk
visit: eltaselect.com



ZOO Fan SDF

Wiring Diagram Compatibility



Please use the table(s) below to match up the product code and the wiring diagram number.

AC SINGLE Phase - 220 to 240V / 50Hz

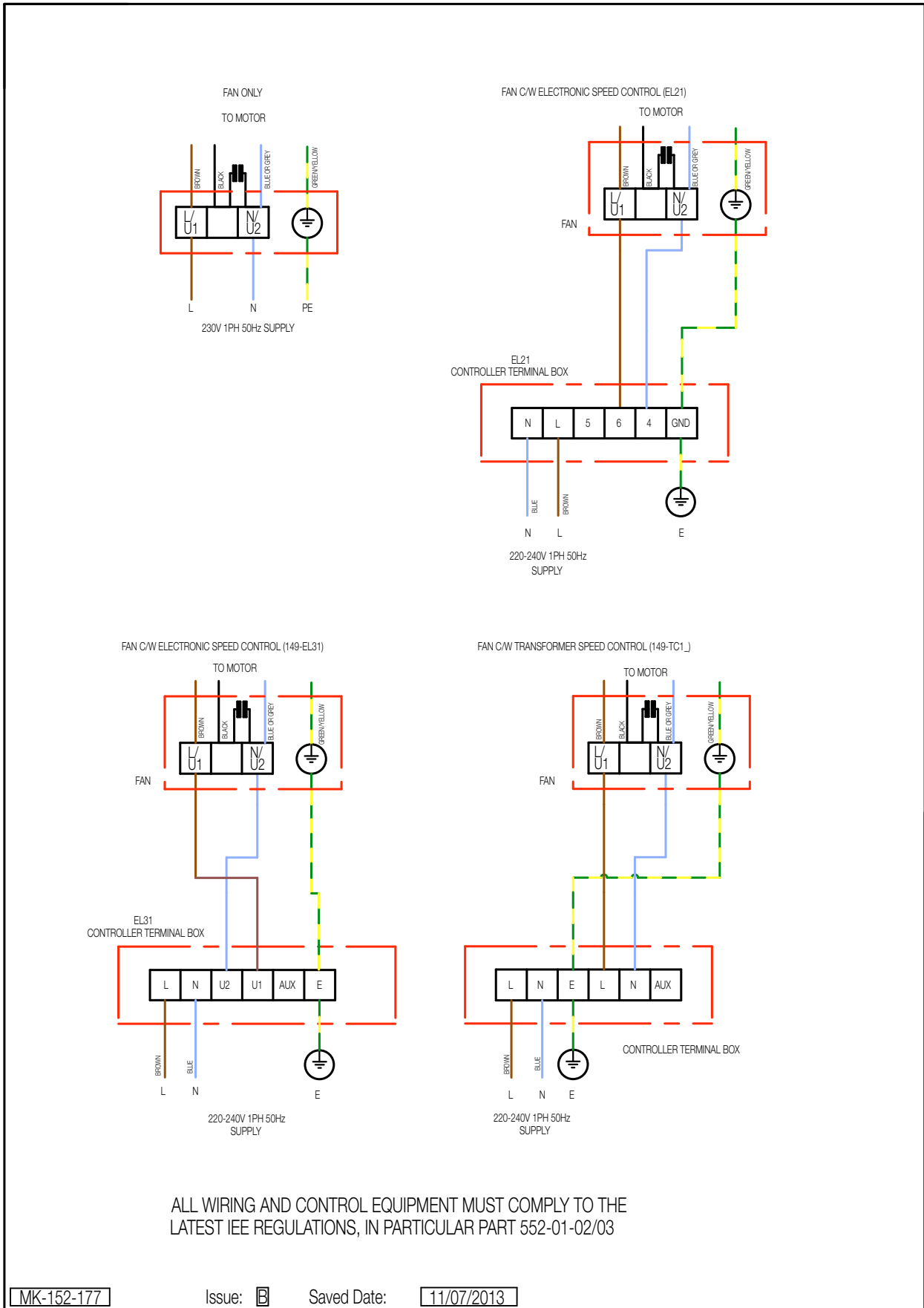
Product Code	Wiring Diagram No.	Page No.
SDF250/4-1AC	152-177	3
SDF300/4-1AC	152-177	3

EC SINGLE Phase - 220 to 240V / 50Hz

Product Code	Wiring Diagram No.	Page No.
SDF250/4-1EC	152-00036	4
SDF300/4-1EC	152-00036	4

Wiring Diagram No. 152-177

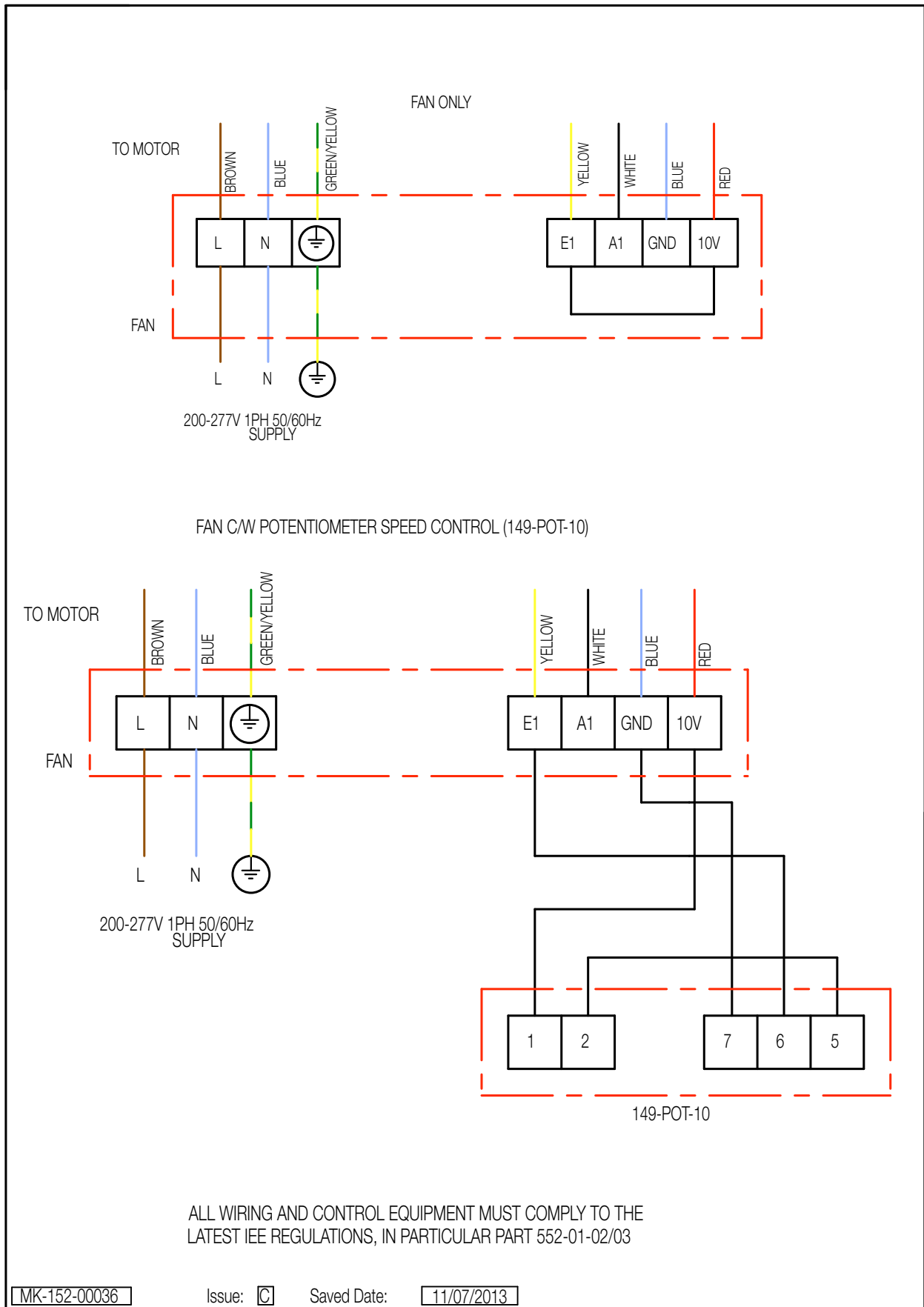
Please check the individual product accessories table for fan and controller compatibility.



Elta Fans Limited has a policy of continuous product development and improvement and therefore reserves the right to supply products which may differ from those illustrated and described in this publication. Confirmation of dimensions and data will be supplied on request.

Wiring Diagram No. 152-00036

Please check the individual product accessories table for fan and controller compatibility.



Elta Fans Limited has a policy of continuous product development and improvement and therefore reserves the right to supply products which may differ from those illustrated and described in this publication. Confirmation of dimensions and data will be supplied on request.



BUILDING SERVICES

Tel: +44 (0) 1384 275800
Fax: +44 (0) 1384 275810
e-mail: bs@eltafans.co.uk

46 Third Avenue
Pensnett Trading Estate
Kingswinford, West Midlands
DY6 7US, United Kingdom

APPLIED TECHNOLOGY

Tel: +44 (0) 1489 566500
Fax: +44 (0) 1489 566555
e-mail: at@eltafans.co.uk

17 Barnes Wallis Road
Segnesworth East Industrial Estate
Fareham, Hampshire
PO15 5ST, United Kingdom

EXPORT

Tel: +44 (0) 1489 566500
Fax: +44 (0) 1489 566555
e-mail: export@eltafans.co.uk

17 Barnes Wallis Road
Segnesworth East Industrial Estate
Fareham, Hampshire
PO15 5ST, United Kingdom

www.eltafans.com



BS EN ISO 9001:2008
FM 556465



A member of
HEVAC ASSOCIATION



PATRONS

A member of

ELTA
GROUP LIMITED