



Skyflow SSRV

Installation and Maintenance Instructions

THESE INSTRUCTIONS MUST BE READ FULLY BEFORE COMMENCING INSTALLATION.

CONTENTS	AC
	PAGE NO.
Electrical Data	2
Dimensional Data	3
Installation Instructions	4
General	4
Installation	4
Start Up	5
Fan Maintenance	5
Guarantee	5
Wiring Diagrams	6

Skyflow SSRV

Electrical Data



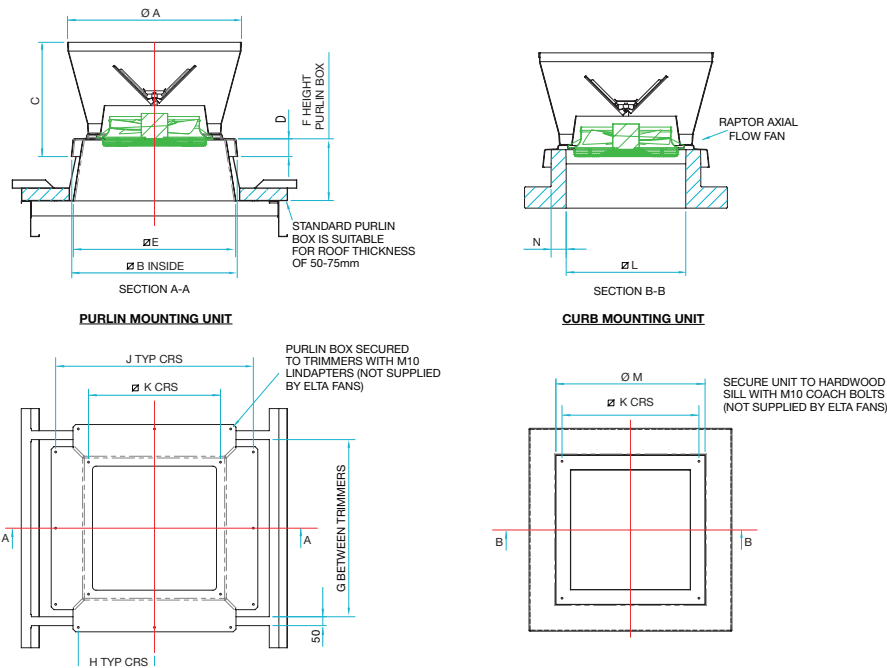
Product Code	Supply	FLC Amps	Input kW	Speed r/min	Wiring Dia	Max Temp °C
SSRV315/4-1AC	220V to 240V/1Ph/50Hz	0.63	0.140	1370	152-177	50
SSRV350/4-1AC	220V to 240V/1Ph/50Hz	0.58	0.132	1104	152-177	60
SSRV400/4-1AC	220V to 240V/1Ph/50Hz	1.10	0.250	1337	152-104B	65
SSRV450/4-1AC	220V to 240V/1Ph/50Hz	2.49	0.542	1295	152-104B	70
SSRV450/6-1AC	220V to 240V/1Ph/50Hz	0.92	0.195	909	152-104B	70
SSRV500/4-1AC	220V to 240V/1Ph/50Hz	3.55	0.801	1243	152-104B	60
SSRV500/6-1AC	220V to 240V/1Ph/50Hz	1.32	0.294	896	152-104B	70
SSRV560/4-1AC	220V to 240V/1Ph/50Hz	5.08	1.157	1357	152-104B	70
SSRV560/6-1AC	220V to 240V/1Ph/50Hz	2.18	0.486	925	152-104B	70
SSRV630/6-1AC	220V to 240V/1Ph/50Hz	3.02	0.659	846	152-104B	70

Product Code	Supply	FLC Amps	Input kW	Speed r/min	Wiring Dia	Max Temp °C
SSRV400/4/6-3AC	380V to 415V/3PH/50Hz	0.46 / 0.28	0.238 / 0.176	1379 / 1105	152-108	70
SSRV450/4/6-3AC	380V to 415V/3PH/50Hz	1.09 / 0.7	0.558 / 0.397	1360 / 1047	152-108	70
SSRV500/4/6-3AC	380V to 415V/3PH/50Hz	1.47 / 0.94	0.829 / 0.548	1326 / 969	152-108	70
SSRV560/4/6-3AC	380V to 415V/3PH/50Hz	2.50 / 1.25	1.198 / 0.641	1292 / 927	152-108	50
SSRV630/4/6-3AC	380V to 415V/3PH/50Hz	3.38 / 2.17	1.938 / 1.333	1339 / 1070	152-108	70
SSRV630/6/8-3AC	380V to 415V/3PH/50Hz	1.24 / 0.74	0.641 / 0.450	901 / 718	152-108	70
SSRV710/4/6-3AC	380V to 415V/3PH/50Hz	4.61 / 2.78	2.546 / 1.628	1328 / 1031	152-108	60
SSRV710/6/8-3AC	380V to 415V/3PH/50Hz	1.71 / 1.11	0.898 / 0.639	902 / 703	152-108	70

Elta Fans Limited has a policy of continuous product development and improvement and therefore reserves the right to supply products which may differ from those illustrated and described in this publication. Confirmation of dimensions and data will be supplied on request.

Skyflow SSRV

Dimensional Data



Product Code	A	B	C	D	E	F	G	H	J	K	L	M	N	Weight Kg
SSRV315	650	684	445	80	610	240	636	250	750	500	460	610	75	19
SSRV350	650	684	445	80	610	240	636	250	750	500	460	610	75	20
SSRV400	768	784	503	85	730	250	756	300	870	600	550	700	75	25
SSRV450	768	784	503	85	730	250	756	300	870	600	550	700	75	32
SSRV500	982	934	645	100	860	250	886	350	1000	745	700	850	75	44
SSRV560	982	934	645	100	860	250	886	350	1000	745	700	850	75	51
SSRV630	1156	1054	764	106	1000	250	1026	435	1140	870	830	980	75	69
SSRV710	1156	1054	764	106	1000	250	1026	435	1140	870	830	980	75	65

Elta Fans Limited has a policy of continuous product development and improvement and therefore reserves the right to supply products which may differ from those illustrated and described in this publication. Confirmation of dimensions and data will be supplied on request.

1.0 GENERAL

- 1.1 It is important these Installation and Maintenance Instructions are fully adhered to.
- 1.2 Full details of the unit supplied are shown on the product nameplate. If in doubt about any detail contact Elta Fans Ltd or its agents for clarification.
- 1.3 All electrical installation must be carried out by suitably qualified and competent personnel in accordance with all current statutory requirements.
- 1.4 These instructions cover only the Elta Fans Ltd product and do not include the supply or installation of any safety equipment that may be required e.g. adequate guarding or protection from rotating parts and proper electrical isolation.
- 1.5 Any declarations made by Elta Fans Ltd about product installation and safety, are dependant on the fan equipment being used within installations which themselves meet the requirements of the relevant Standards and Directives of your region.
- 1.6 The fan is designed for use in an ambient temperature of -20°C up to a maximum of +70°C (refer to the relevant table) and up to 95% relative humidity. The fan is not suitable for corrosive or explosive atmospheres.
- 1.7 The installer should provide easy access to the fan to facilitate future maintenance.
- 1.8 The installer should ensure the fan is adequately supported.
- 1.9 This product is not intended for use by persons (including children) with reduced physical, sensory or mental capabilities, or lack of experience and knowledge, unless they have been given supervision or instruction concerning use of the product by a person responsible for their safety.
Children should be supervised to ensure that they do not play with the product.
- 1.10 At end-of-life, the unit must be disposed of in an environmentally friendly manner by suitably qualified and competent personnel in accordance with the requirements of applicable Standards and Directive

2.0 INSTALLATION

WARNING – The fan must be isolated from the power supply during installation and maintenance. The fan must be earthed in accordance with the local regulations.

- 2.1 Upon receipt, the fan equipment should be visually inspected to check for any damage. Ensure that the impeller is free to rotate.
- 2.2 If there are any queries concerning the fan equipment, Elta Fans Ltd should be contacted prior to the installation.
- 2.3 The fan must be securely mounted in the desired position to suit the application. The fan can be mounted on flat or inclined roofs with a maximum pitch angle of 15°.
- 2.4 **Assembly:** Invert the GRP cowl and base assembly taking care not to damage the surface of the cowl. Place the fan unit onto the base, lining up the four corner holes of the mounting plate with the pre-drilled holes in the base. Do not remove the plugs from any unused holes. Secure the fan to the base ensuring that the red fibre washers are correctly positioned between the underside of the bolt head and the outer surface of the base.

DO NOT OVERTIGHTEN THE BOLTS AS THIS MAY DAMAGE THE BASE.

- 2.5 **Backdraft shutters:** Backdraft shutters are supplied factory fitted. Check to make sure that the shutter blades move freely and also engage correctly onto the base upstand.
- 2.6 **Curb mounting:** Position the assembled roof unit onto the curb and secure to the timber sill with M10 coach bolts (not supplied by Elta Fans), ensuring that fibre washers are positioned under each bolt head. It is advisable to drill pilot holes prior to fitting the bolts to prevent splitting the timber curb.

DO NOT OVERTIGHTEN THE BOLTS AS THIS MAY DAMAGE THE BASE.

2.7 Purlin mounting:

- **Purlin trimmers:** - should be bolted to the vertical flange of the purlin member taking care to align with the roof opening.
- **Purlin box:** - position onto trimmers and fit M10 type 'A' short tail lindaptors (not supplied by Elta Fans) into holes in the bottom flanges. Do not tighten nuts at this stage.
- **Soaker sheets:** - slip the soaker sheet over the purlin box and fix and seal to the roof sheeting. Align the purlin box with the soaker sheet and tighten the lindaptor nuts.
- Position the roof unit into the purlin box and insert M10 bolts into the four corner holes and into the purlin box captive fixings ensuring that fibre washers are positioned under the bolt heads.

DO NOT OVERTIGHTEN THE BOLTS AS THIS MAY DAMAGE THE BASE.

- 2.8 Check the details on the motor rating plate to ensure that the correct power supply (voltage, frequency and phase) is available. An incorrect power supply will lead to permanent damage to the fan motor.
- 2.9 Refer to the appropriate wiring diagram. Ensure that all earth connections are made.
- 2.10 Means for electrical disconnection must be incorporated in the wiring installation in accordance with the relevant wiring and electrical regulations.
- 2.11 Precaution must be taken to locate the exhaust discharge terminal so as to avoid the backflow of gases into the room from the open flue of gas or other fuel burning appliances.

Skyflow SSRV

Installation Instructions



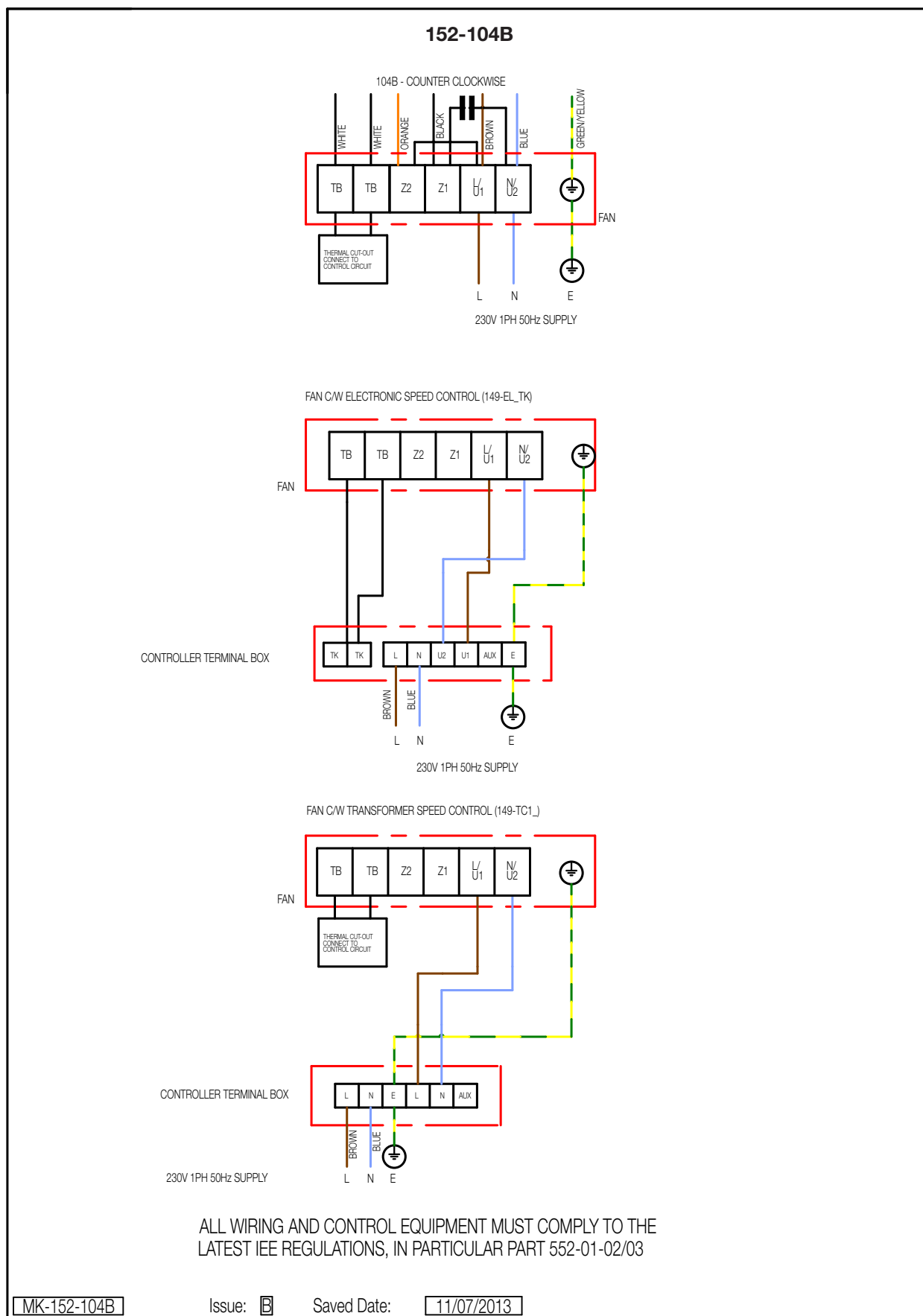
GUARANTEE

Elta Fans Ltd will, free of charge, within a period of 1 year from the date of dispatch from their works, repair or at its option replace any goods which are proved to have defects as a result of defective materials or workmanship. The goods **MUST** be returned to Elta Fans Ltd carriage paid for examination.

Elta Fans Limited has a policy of continuous product development and improvement and therefore reserves the right to supply products which may differ from those illustrated and described in this publication. Confirmation of dimensions and data will be supplied on request.

Skyflow SSRV

Wiring Diagrams



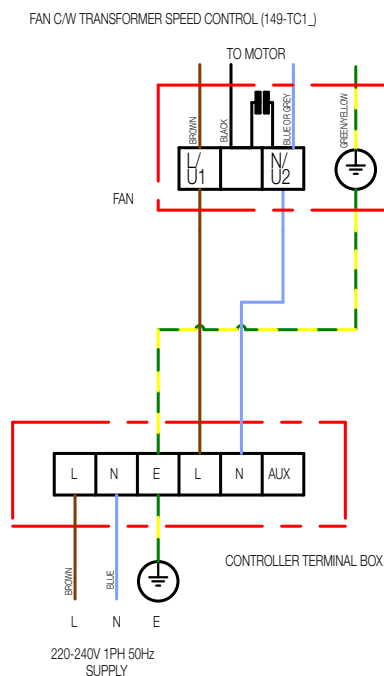
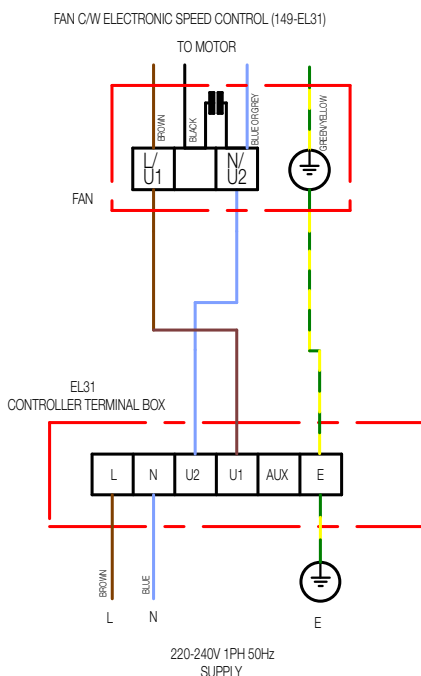
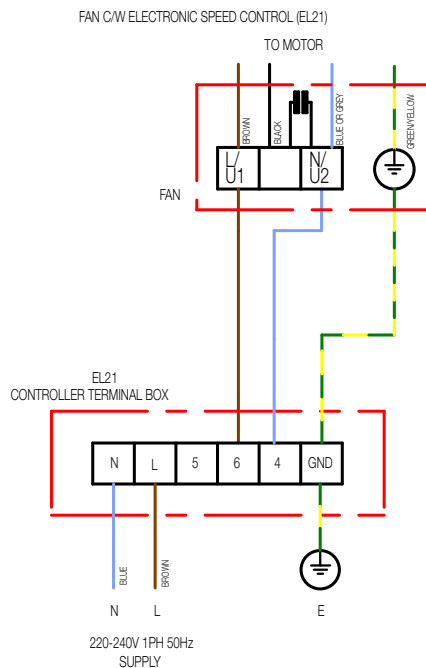
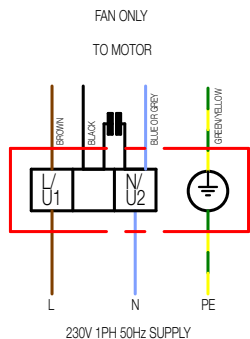
Elta Fans Limited has a policy of continuous product development and improvement and therefore reserves the right to supply products which may differ from those illustrated and described in this publication. Confirmation of dimensions and data will be supplied on request.

Skyflow SSRV

Wiring Diagrams



152-177



ALL WIRING AND CONTROL EQUIPMENT MUST COMPLY TO THE
LATEST IEE REGULATIONS, IN PARTICULAR PART 552-01-02/03

MK-152-177

Issue:

Saved Date:

11/07/2013

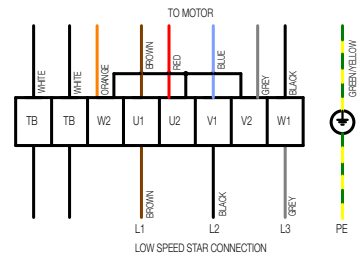
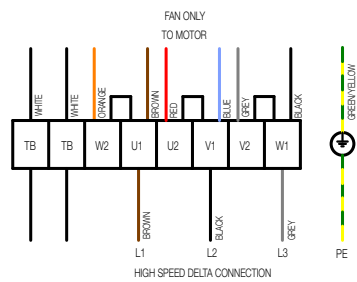
Elta Fans Limited has a policy of continuous product development and improvement and therefore reserves the right to supply products which may differ from those illustrated and described in this publication. Confirmation of dimensions and data will be supplied on request.

Skyflow SSRV

Wiring Diagrams

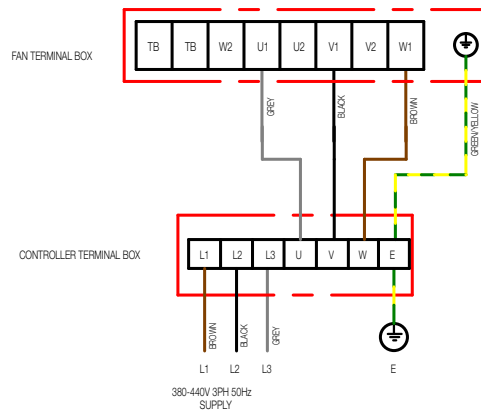


152-108

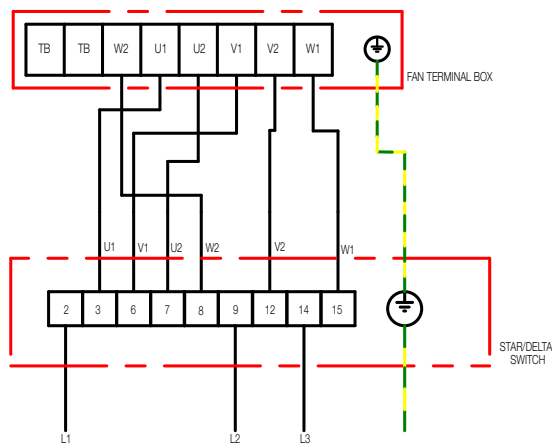


TO REVERSE ROTATION SWAP ANY TWO INCOMING SUPPLY CABLES

FAN C/W TRANSFORMER SPEED CONTROL (149-TCS3)



FAN C/W STAR/DELTA SWITCH



ALL WIRING AND CONTROL EQUIPMENT MUST COMPLY TO THE LATEST IEE REGULATIONS, IN PARTICULAR PART 552-01-02/03

LMK-152-108

Issue:

Saved Date:

11/07/2013

Elta Fans Limited has a policy of continuous product development and improvement and therefore reserves the right to supply products which may differ from those illustrated and described in this publication. Confirmation of dimensions and data will be supplied on request.



EC DECLARATION OF CONFORMITY/INCORPORATION

Herewith we declare that the air movement equipment below, on the basis of its design and construction in the form brought onto the market is in accordance within the relevant health and safety requirements of the EC Directive for use of machinery.

EC Declaration of Conformity	EC Declaration of Incorporation
	<p>In accordance with the Machinery Directive 2006/42/EC</p>
<p>Designation of Equipment:</p> <p>Raptor, Compact, Powerplus, Revolution, Miniflow, Multiflow, Viper, Jetflow, Jetstream, Hideaway, Singleflow, Quietflow, Twinflow, Powerduct, Qube, Slim-Qube, Skyflow, Heritage, Biflow, Zoo Fan, Ceiling Fan, SmokeVent, Pedestal, Window/Wall, Ezifit</p> <p>Type:</p> <p>SPA, SDA, SCP, SCPA, SCD, SCPP, SPP, SLC, SAMF, SMB, SMC, SMT, SCC, HIT, SJS, SH, SSD, SQS, SQSDCV, STD, SQT, SQTDCV, SPD, SQU, SQU-HT, SSQU, SSR, SSF, SSMF, SMF, SSSDR, SSSDRDCV, STDR, STDRDCV, SGE, SCH, SCHAT, SSFV, SSRV, SSC, SB, SDF, HCF, HPFA, HWFA, SRC, SAX, SRE, SEIE, SEWE</p> <p>Low Voltage Directive 2006/95/EC Electromagnetic Compatibility (EMC) Directive 2004/108/EC Energy-Related Products (ErP) Directive 2009/125/EC</p> <p>Herewith declare that the air movement equipment below, on the basis of its design and construction as partly completed machines brought onto the market is in compliance within relevant health and safety requirements of the EC Directives stated above. In the event that alterations are made to the machinery without prior consent with the manufacturer, this declaration becomes invalid.</p>	<p>Designation of Equipment:</p> <p>Raptor, Compact, Powerplus, Revolution, Miniflow, Multiflow, Viper, Jetflow, Jetstream, Hideaway, Singleflow, Quietflow, Twinflow, Powerduct, Qube, Slim-Qube, Skyflow, Heritage, Biflow, Zoo Fan, Ceiling Fan, SmokeVent, Window/Wall, Ezifit</p> <p>Type:</p> <p>SPA, SDA, SCP, SCPA, SCD, SCPP, SPP, SLC, SAMF, SMB, SMC, SMT, SCC, HIT, SJS, SH, SSD, SQS, SQSDCV, STD, SQT, SQTDCV, SPD, SQU, SQU-HT, SSQU, SSR, SSF, SSMF, SMF, SSSDR, SSSDRDCV, STDR, STDRDCV, SGE, SCH, SCHAT, SSFV, SSRV, SSC, SB, SDF, HCF, SEIE, SEWE</p> <p>The design of the partly completed machines listed below complies with the Essential Health and Safety Requirements (EHSRs) of ANNEX I, sections 1.1.2, 1.1.5, 1.4.1, 1.5.1 in EC Machinery Directive 2006/42/EC</p> <p>The partly completed machines comply with the requirements of :- Low Voltage Directive 2006/95/EC, Electromagnetic Compatibility (EMC) Directive 2004/108/EC, Energy-Related Products (ErP) Directive 2009/125/EC</p> <p>The machinery is incomplete and must not be put into service until such time as the machinery which is partly complete is to be incorporated and has been assessed and declared in conformity with the provisions of the Machinery Directive 2006/42/EC.</p> <p>We undertake to transmit, upon reasoned request by appropriate national authorities, relevant information on the partly completed machinery identified above.</p>
<p>Manufacturer: Elta Fans Limited 17 Barnes Wallis Road Segensworth East Industrial Estate Fareham, Hampshire PO15 5ST, UK</p>	
<p>Date / Signature of Manufacturer:</p>	<p>Date: 20th May 2013</p>
<p>Name / Position of Signatory: Mr. Robert Rees Q.A.Manager Elta Fans Ltd,</p>	



BUILDING SERVICES

Tel: +44 (0) 1384 275800
Fax: +44 (0) 1384 275810
e-mail: bs@eltofans.co.uk

46 Third Avenue
Pensnett Trading Estate
Kingswinford, West Midlands
DY6 7US, United Kingdom

APPLIED TECHNOLOGY

Tel: +44 (0) 1489 566500
Fax: +44 (0) 1489 566555
e-mail: at@eltofans.co.uk

17 Barnes Wallis Road
Segensworth East Industrial Estate
Fareham, Hampshire
PO15 5ST, United Kingdom

EXPORT

Tel: +44 (0) 1489 566500
Fax: +44 (0) 1489 566555
e-mail: export@eltofans.co.uk

17 Barnes Wallis Road
Segensworth East Industrial Estate
Fareham, Hampshire
PO15 5ST, United Kingdom

www.eltofans.com



BS EN ISO 9001:2008
FM 556465



A member of
HEVAC ASSOCIATION



PATRONS

A member of

ELTA
GROUP LIMITED