



Skyflow SSRV

Product
Brochure

t: 01384 275800

f: 01384 275810

e: bs@eltafans.co.uk

visit: eltaselect.com

Skyflow SSRV

Roof Mounted Vertical Extract Fan

roof



OVERVIEW

The Skyflow SSRV incorporates the BAT (Best Available Technology) FE2owlet sickle bladed aerofoil profiled impeller, with serrated trailing edges and winglets powered by the ultra reliable Ziehl-Abegg external rotor motor. The Vertical Skyflow is UV stabilised for a durable, long lasting product, which delivers exceptional performance and noise characteristics, designed to discharge the air at high velocities away from roof levels.

MORE INFORMATION



	PAGE NO.		
Performance, SFP & Electrical Data	1Ph	3	8
	3Ph	5	12
Sound Data	1Ph	4	10
	3Ph	6	13
Accessories & Wiring Data	All	7	14
Optimum Energy Efficiency Point	All	8	14
Dimensional Data	All	15	

QUICK FACTS

- ✓ 8 standard sizes from 315mm to 710 mm.
- ✓ Volume flow rates up to 4.73 m³/s.
- ✓ Static pressures up to 217 Pa.
- ✓ Suitable for operating temperatures up to +70°C.
- ✓ Supplied fully assembled with axial flow Raptor fan as an option.

CASING

The top cowl and fan support housing shall be manufactured from UV stabilised GRP finished in goose wing grey (BS 00-A-05). The all metal fan casing and guard provides a long lasting and robust construction.

The fans have been constructed from mild steel and suitably treated to ensure full corrosion protection, the guard shall be powder coated polyester epoxy paint finish in black (RAL 9005). Fan plates shall have a powder coated polyester epoxy paint finish in pastel beige (RAL 7032).

IMPELLER

Ziehl-Abegg FE2owlet impellers are provided with blades made from high quality pressure die cast aluminium

or high performance composite material providing enhanced aerodynamic properties, low noise and increased efficiency.

Assembled impellers are to be dynamically balanced to ISO 14694 Grade G6.3 and finished in black (RAL 9005).

MOTORS

Motors are highly efficient, lightweight external rotor motors, insulated to Class F, with integral thermal overload protection, with sealed for life, maintenance free ball bearings.

Sizes 315 and 350 weatherproofed to IP44. Sizes 400-710 weatherproofed to IP54. All fans are suitable for use with a speed controller.

Manufactured by Ziehl-Abegg providing increased reliability. Electrical connection to the motor is provided by an IP55 terminal box which is fitted to a flying lead.

QUALITY MANAGEMENT

Units are to be designed and manufactured with procedures as defined in BS EN ISO 9001:2008. All SSRV units are to be tested to ISO 5801:2007 (airside performance) and BS 848 Part 2:1985 (sound performance).

TYPICAL APPLICATIONS

- Industrial Units
- Hospitals
- Workshops



Elta Fans Limited has a policy of continuous product development and improvement and therefore reserves the right to supply products which may differ from those illustrated and described in this publication. Confirmation of dimensions and data will be supplied on request.

Skyflow SSRV

Performance, SFP & Electrical Data



SINGLE Phase - 220V to 240V / 50Hz

Product Code	Speed r/min	Airflow SFP	Airflow m ³ / s @ Static Pressure Pa													Overall Efficiency %	FMEG	Motor Electrical Data			dBA @ 3m		
			0	25	50	75	100	150	200	250	300	350	400	450	500			FLC Amps	SC Amps	Input kW			
SSRV315/4-1AC	1370	m ³ / s	0.514	0.465	0.415	0.310											17.1	N28	0.63	0.75	0.140	Inlet	51
		W / (L/s)	0.26	0.29	0.33	0.44																Outlet	50
SSRV350/4-1AC	1104	m ³ / s	0.551	0.478	0.321	0.156											12.5	N24	0.58	1.20	0.132	Inlet	43
		W / (L/s)	0.24	0.27	0.41	0.83																Outlet	43
SSRV400/4-1AC	1337	m ³ / s	0.952	0.863	0.768	0.670	0.568	0.364									23.4	N33	1.10	2.30	0.250	Inlet	53
		W / (L/s)	0.22	0.25	0.30	0.36	0.44	0.67														Outlet	53
SSRV450/4-1AC	1295	m ³ / s	1.349	1.270	1.178	1.086	0.981										19.0	N27	2.49	6.30	0.542	Inlet	56
		W / (L/s)	0.40	0.42	0.46	0.50	0.55															Outlet	55
SSRV450/6-1AC	909	m ³ / s	0.950	0.838	0.630												16.8	N27	0.92	2.50	0.195	Inlet	47
		W / (L/s)	0.20	0.23	0.30																	Outlet	50
SSRV500/4-1AC	1243	m ³ / s	2.071	1.930	1.806	1.679	1.528										20.6	N27	3.55	7.10	0.801	Inlet	58
		W / (L/s)	0.36	0.39	0.42	0.46	0.51															Outlet	57
SSRV500/6-1AC	896	m ³ / s	1.481	1.297	1.065												20.1	N29	1.32	2.80	0.294	Inlet	49
		W / (L/s)	0.18	0.22	0.27																	Outlet	50
SSRV560/4-1AC	1357	m ³ / s	2.412	2.301	2.181	2.050	1.907	1.568									21.6	N27	5.08	11.00	1.157	Inlet	63
		W / (L/s)	0.48	0.50	0.53	0.56	0.60	0.72														Outlet	62
SSRV560/6-1AC	925	m ³ / s	1.725	1.581	1.421	1.208											19.4	N27	2.18	5.30	0.486	Inlet	54
		W / (L/s)	0.28	0.30	0.34	0.40																Outlet	56
SSRV630/6-1AC	846	m ³ / s	2.651	2.439	2.199	1.899	1.494										23.3	N30	3.02	5.30	0.659	Inlet	54
		W / (L/s)	0.22	0.24	0.28	0.33	0.44															Outlet	54

Overall static efficiency and r/min values are as per ISO 12759 installation category C. FLC Amps @ 230V / 1Ph / 50Hz.

Data provided at standard air density of 1.2 kg/m³.

The overall A-weighted sound pressure level is at a distance of 3m with spherical free-field propagation. It is expressed in dB re-20μPa and is presented for comparative purposes only.

Skyflow SSRV

Sound Data



SINGLE Phase - 220V to 240V / 50Hz

Product Code	Speed r/min		Sound Power Level dBW @ Octave Band Hz								Total dB	Silencer dBA Attenuation		
			63Hz	125Hz	250Hz	500Hz	1 kHz	2 kHz	4 kHz	8 kHz		600L	900L	1200L
SSRV315/4-1AC	1370	Inlet	66	75	78	63	64	62	57	52	80	-8	-12	-15
		Outlet	67	76	75	66	62	60	54	50	79	-	-	-
SSRV350/4-1AC	1104	Inlet	60	67	62	58	59	58	52	47	70	-12	-15	-18
		Outlet	65	66	64	63	57	55	49	44	71	-	-	-
SSRV400/4-1AC	1337	Inlet	68	74	79	67	66	65	60	56	81	-10	-15	-19
		Outlet	69	73	80	68	65	63	58	54	81	-	-	-
SSRV450/4-1AC	1295	Inlet	94	81	73	72	71	67	62	59	94	-10	-11	-13
		Outlet	89	81	75	73	69	65	60	57	90	-	-	-
SSRV450/6-1AC	909	Inlet	74	78	69	63	61	57	50	45	80	-9	-11	-14
		Outlet	75	84	68	66	60	54	48	42	85	-	-	-
SSRV500/4-1AC	1243	Inlet	71	78	77	75	73	71	66	59	83	-11	-17	-19
		Outlet	73	78	81	75	72	68	62	58	84	-	-	-
SSRV500/6-1AC	896	Inlet	61	76	71	68	63	60	53	47	78	-9	-13	-15
		Outlet	64	74	76	68	63	56	49	45	79	-	-	-
SSRV560/4-1AC	1357	Inlet	77	87	83	80	78	77	73	68	90	-10	-15	-17
		Outlet	80	88	82	78	76	75	71	66	90	-	-	-
SSRV560/6-1AC	925	Inlet	70	76	75	70	70	67	60	55	80	-11	-16	-18
		Outlet	71	83	80	74	72	64	58	55	86	-	-	-
SSRV630/6-1AC	846	Inlet	66	74	77	74	67	65	60	55	81	-12	-17	-21
		Outlet	69	80	77	73	67	61	56	53	83	-	-	-

Tests and preparation of the sound data have been carried out in accordance with BS 848 Part 2:1985 at 50% peak pressure.

The Sound Power Level Spectra are in dB re-1pW.

The inclusion of baffles in these silencers, means that there is additional pressure drop in the system, which needs to be overcome by the fan.

Please see relevant product download on the website for the pressure drop value.

Why not use the facility in our "Fans by Elta" interactive CD Rom to do the work for you?

Skyflow SSRV

Performance, SFP & Electrical Data



THREE Phase - 380V to 415V / 50Hz

Product Code	Speed r/min	Airflow SFP	Airflow m ³ / s @ Static Pressure Pa													Overall Efficiency %	FMEG	Motor Electrical Data				dBA @ 3m				
			0	25	50	75	100	150	200	250	300	350	400	450	500			FLC Amps	SC Amps	Input kW	Δ / Y					
SSRV400/4/6-3AC	1379	m ³ / s	0.954	0.876	0.787	0.684	0.570											24.3	N34	0.46	1.6	0.238	Δ	Inlet	50	
		W / (L/s)	0.20	0.23	0.27	0.33	0.41															0.28	0.6	0.176	Y	Outlet
	1105	m ³ / s	0.811	0.676	0.524	0.381	0.284												16.9					Inlet	47	
		W / (L/s)	0.18	0.24	0.33	0.46	0.61																	Outlet	46	
SSRV450/4/6-3AC	1360	m ³ / s	1.421	1.343	1.263	1.173	1.082												22.0	N30	1.09	3.8	0.558	Δ	Inlet	56
		W / (L/s)	0.38	0.41	0.43	0.47	0.51																		Outlet	55
	1047	m ³ / s	1.100	0.984	0.865	0.683													13.1		0.70	2.6	0.397	Y	Inlet	51
		W / (L/s)	0.36	0.40	0.46	0.58																		Outlet	50	
SSRV500/4/6-3AC	1326	m ³ / s	2.179	2.065	1.951	1.821	1.677	1.344											24.6	N31	1.47	4.7	0.829	Δ	Inlet	57
		W / (L/s)	0.34	0.37	0.40	0.44	0.48	0.61																	Outlet	56
	969	m ³ / s	1.638	1.454	1.237	0.948													13.1		0.94	1.6	0.548	Y	Inlet	53
		W / (L/s)	0.32	0.37	0.44	0.58																		Outlet	54	
SSRV560/4/6-3AC	1292	m ³ / s	2.435	2.323	2.218	2.098	1.960	1.679											22.4	N28	2.50	7	1.198	Δ	Inlet	63
		W / (L/s)	0.48	0.51	0.54	0.57	0.61	0.70																	Outlet	61
	927	m ³ / s	1.688	1.536	1.366	1.139	0.817												13.1		1.25	2.3	0.641	Y	Inlet	55
		W / (L/s)	0.38	0.42	0.47	0.56	0.77																	Outlet	53	
SSRV630/4/6-3AC	1339	m ³ / s	4.130	3.934	3.726	3.507	3.274	2.699											21.1	N25	3.38	21	1.938	Δ	Inlet	66
		W / (L/s)	0.43	0.45	0.49	0.53	0.57	0.71																	Outlet	65
	1070	m ³ / s	3.325	3.083	2.786	2.453													15.3		2.17	7	1.333	Y	Inlet	62
		W / (L/s)	0.38	0.41	0.46	0.53																		Outlet	60	
SSRV630/6/8-3AC	901	m ³ / s	2.705	2.527	2.321	2.073	1.781												28.6	N36	1.24	4.9	0.641	Δ	Inlet	54
		W / (L/s)	0.20	0.22	0.25	0.29	0.35																		Outlet	53
	718	m ³ / s	2.223	1.972	1.577	1.101	0.687												19.3		0.74	2.8	0.450	Y	Inlet	50
		W / (L/s)	0.18	0.21	0.28	0.40	0.62																	Outlet	52	
SSRV710/4/6-3AC	1328	m ³ / s	4.735	4.582	4.426	4.257	4.076	3.693	3.236										26.2	N29	4.61	21	2.546	Δ	Inlet	68
		W / (L/s)	0.52	0.55	0.57	0.60	0.62	0.69	0.78																Outlet	66
	1031	m ³ / s	3.563	3.348	3.131	2.904	2.637												16.2		2.78	7	1.628	Y	Inlet	63
		W / (L/s)	0.44	0.48	0.52	0.56	0.61																	Outlet	61	
SSRV710/6/8-3AC	902	m ³ / s	3.196	3.019	2.818	2.576	2.294												26.6	N33	1.71	5.8	0.898	Δ	Inlet	56
		W / (L/s)	0.26	0.28	0.31	0.34	0.39																		Outlet	55
	701	m ³ / s	2.542	2.269	1.930														16.0		1.11	2	0.639	Y	Inlet	51
		W / (L/s)	0.24	0.28	0.33																			Outlet	50	

Overall static efficiency and r/min values are as per ISO 12759 installation category C. FLC Amps @ 400V / 3Ph / 50Hz.

Data provided at standard air density of 1.2 kg/m³.

The overall A-weighted sound pressure level is at a distance of 3m with spherical free-field propagation.

It is expressed in dB re-20μPa and is presented for comparative purposes only.

Skyflow SSRV

Sound Data



THREE Phase - 380V to 415V / 50Hz

Product Code	Speed r/min		Sound Power Level dBW @ Octave Band Hz								Total dB	Silencer dBA Attenuation		
			63Hz	125Hz	250Hz	500Hz	1 kHz	2 kHz	4 kHz	8 kHz		600L	900L	1200L
SSRV400/4/6-3AC	Δ	Inlet	66	71	71	66	65	64	59	54	76	-14	-18	-22
		Outlet	68	73	72	69	64	62	56	51	77	-	-	-
	Y	Inlet	65	71	66	64	62	61	55	50	74	-14	-18	-20
		Outlet	66	69	68	66	60	58	52	46	74	-	-	-
SSRV450/4/6-3AC	Δ	Inlet	72	82	74	72	72	68	63	60	84	-13	-16	-19
		Outlet	78	77	76	73	70	66	61	57	83	-	-	-
	Y	Inlet	67	75	71	68	67	62	56	53	78	-14	-17	-20
		Outlet	71	76	71	70	65	59	54	49	79	-	-	-
SSRV500/4/6-3AC	Δ	Inlet	73	80	75	75	73	69	67	63	83	-10	-16	-18
		Outlet	74	80	77	76	71	66	63	61	84	-	-	-
	Y	Inlet	67	73	77	73	66	63	60	56	80	-9	-14	-16
		Outlet	68	75	79	73	66	60	56	54	82	-	-	-
SSRV560/4/6-3AC	Δ	Inlet	77	83	81	80	79	76	71	66	88	-11	-17	-20
		Outlet	81	84	81	79	77	74	69	64	88	-	-	-
	Y	Inlet	70	82	74	73	71	68	62	57	84	-9	-14	-15
		Outlet	74	79	74	71	69	65	59	54	82	-	-	-
SSRV630/4/6-3AC	Δ	Inlet	85	88	81	83	82	80	77	70	92	-16	-20	-22
		Outlet	84	85	82	83	80	77	74	70	90	-	-	-
	Y	Inlet	72	83	77	79	77	77	72	65	87	-17	-21	-24
		Outlet	76	81	79	79	75	73	69	64	86	-	-	-
SSRV630/6/8-3AC	Δ	Inlet	68	80	76	73	67	64	61	58	82	-12	-15	-18
		Outlet	70	80	78	72	66	60	56	54	83	-	-	-
	Y	Inlet	66	74	71	70	63	60	56	52	77	-13	-17	-20
		Outlet	69	80	71	74	64	56	51	48	82	-	-	-
SSRV710/4/6-3AC	Δ	Inlet	83	88	88	85	84	80	75	72	93	-15	-19	-23
		Outlet	83	87	86	84	83	78	73	70	92	-	-	-
	Y	Inlet	79	82	82	81	78	75	69	66	88	-16	-20	-24
		Outlet	79	84	82	79	76	72	66	63	88	-	-	-
SSRV710/6/8-3AC	Δ	Inlet	71	78	78	74	71	67	62	60	83	-13	-17	-21
		Outlet	73	78	79	72	69	64	59	59	83	-	-	-
	Y	Inlet	68	72	72	70	66	63	56	55	77	-14	-18	-22
		Outlet	70	75	73	70	64	59	53	52	79	-	-	-

Tests and preparation of the sound data have been carried out in accordance with BS 848 Part 2:1985 at 50% peak pressure.

The Sound Power Level Spectra are in dB re-1pW.

The inclusion of baffles in these silencers, means that there is additional pressure drop in the system, which needs to be overcome by the fan.

Please see relevant product download on the website for the pressure drop value.

Why not use the facility in our "Fans by Elta" interactive CD Rom to do the work for you?

For more information on Accessories & Wiring Diagrams, please see individual product downloads, or visit eltaselect.com/information-centre

SINGLE Phase - 220V to 240V / 50Hz

Product Code	Electronic Controller	Transformer Controller	Purlin Box	Soaker Sheet	Drop in Silencer 600mm Long	Drop in Silencer 900mm Long	Drop in Silencer 1200mm Long	Wiring Diagram No.
SSRV315/4-1AC	149-EL31	149-TC12	039B-PB31/35	039-SP31/35	068-SFDS-0600-A	068-SFDS-0900-A	068-SFDS-1200-A	152-177
SSRV350/4-1AC	149-EL31	149-TC12	039B-PB31/35	039-SP31/35	068-SFDS-0600-A	068-SFDS-0900-A	068-SFDS-1200-A	152-177
SSRV400/4-1AC	149-EL31TK	149-TC12	039B-PB40/45	039-SP40/45	068-SFDS-0600-B	068-SFDS-0900-B	068-SFDS-1200-B	152-104B
SSRV450/4-1AC	149-EL31TK	149-TC14	039B-PB40/45	039-SP40/45	068-SFDS-0600-B	068-SFDS-0900-B	068-SFDS-1200-B	152-104B
SSRV450/6-1AC	149-EL31TK	149-TC12	039B-PB40/45	039-SP40/45	068-SFDS-0600-B	068-SFDS-0900-B	068-SFDS-1200-B	152-104B
SSRV500/4-1AC	149-EL61TK	149-TC14	039B-PB50/56	039-SP50/56	068-SFDS-0600-C	068-SFDS-0900-C	068-SFDS-1200-C	152-104B
SSRV500/6-1AC	149-EL31TK	149-TC12	039B-PB50/56	039-SP50/56	068-SFDS-0600-C	068-SFDS-0900-C	068-SFDS-1200-C	152-104B
SSRV560/4-1AC	149-EL61TK	149-TC18	039B-PB50/56	039-SP50/56	068-SFDS-0600-C	068-SFDS-0900-C	068-SFDS-1200-C	152-104B
SSRV560/6-1AC	149-EL31TK	149-TC14	039B-PB50/56	039-SP50/56	068-SFDS-0600-C	068-SFDS-0900-C	068-SFDS-1200-C	152-104B
SSRV630/6-1AC	149-EL61TK	149-TC14	039B-PB63/71	039-SP63/71	068-SFDS-0600-D	068-SFDS-0900-D	068-SFDS-1200-D	152-104B

THREE Phase - 380V to 415V / 50Hz

Product Code	Transformer Controller	Purlin Box	Soaker Sheet	Drop in Silencer 600mm Long	Drop in Silencer 900mm Long	Drop in Silencer 1200mm Long	Wiring Diagram No.
SSRV400/4/6-3AC	149-TC33	039B-PB40/45	039-SP40/45	068-SFDS-0600-B	068-SFDS-0900-B	068-SFDS-1200-B	152-108
SSRV450/4/6-3AC	149-TC33	039B-PB40/45	039-SP40/45	068-SFDS-0600-B	068-SFDS-0900-B	068-SFDS-1200-B	152-108
SSRV500/4/6-3AC	149-TC33	039B-PB50/56	039-SP50/56	068-SFDS-0600-C	068-SFDS-0900-C	068-SFDS-1200-C	152-108
SSRV560/4/6-3AC	149-TC33	039B-PB50/56	039-SP50/56	068-SFDS-0600-C	068-SFDS-0900-C	068-SFDS-1200-C	152-108
SSRV630/4/6-3AC	149-TC310	039B-PB63/71	039-SP63/71	068-SFDS-0600-C	068-SFDS-0900-C	068-SFDS-1200-C	152-108
SSRV630/6/8-3AC	149-TC33	039B-PB63/71	039-SP63/71	068-SFDS-0600-C	068-SFDS-0900-C	068-SFDS-1200-C	152-108
SSRV710/4/6-3AC	149-TC310	039B-PB63/71	039-SP63/71	068-SFDS-0600-D	068-SFDS-0900-D	068-SFDS-1200-D	152-108
SSRV710/6/8-3AC	149-TC33	039B-PB63/71	039-SP63/71	068-SFDS-0600-D	068-SFDS-0900-D	068-SFDS-1200-D	152-108

Optimum Energy Efficiency Point

SINGLE Phase - 220V to 240V / 50Hz

Product Code	Volume m ³ /s	Pressure Pa	Input kW	Speed r/min	Efficiency %	FMEG
SSRV315/4-1AC	0.303	76	0.136	1370	17.1	N28
SSRV350/4-1AC	0.360	45	0.130	1104	12.5	N24
SSRV400/4-1AC	0.495	118	0.250	1337	23.4	N33
SSRV450/4-1AC	0.899	113	0.534	1295	19.0	N27
SSRV450/6-1AC	0.664	48	0.192	909	16.8	N27
SSRV500/4-1AC	1.357	120	0.794	1243	20.6	N27
SSRV500/6-1AC	0.791	72	0.283	896	20.1	N29
SSRV560/4-1AC	1.433	167	1.104	1357	21.6	N27
SSRV560/6-1AC	1.109	83	0.473	925	19.4	N27
SSRV630/6-1AC	1.686	89	0.646	846	23.3	N30

Overall static efficiency and r/min values are as per ISO 12759 installation category C.

THREE Phase - 380V to 415V / 50Hz

Product Code	Volume m ³ /s	Pressure Pa	Input kW	Speed r/min	Efficiency %	FMEG
SSR400/4/6-3AC	0.531	108	0.237	1379	24.3	N34
SSR450/4/6-3AC	0.949	127	0.547	1360	22.0	N30
SSR500/4/6-3AC	1.354	149	0.821	1326	24.6	N31
SSR560/4/6-3AC	1.530	170	1.162	1292	22.4	N28
SSR630/4/6-3AC	2.630	154	1.928	1339	21.1	N25
SSR630/6/8-3AC	1.657	109	0.634	901	28.6	N36
SSR710/4/6-3AC	3.049	217	2.528	1328	26.2	N29
SSR710/6/8-3AC	2.033	115	0.877	902	26.6	N33

Skyflow SSRV



Performance, SFP & Electrical Data

SINGLE Phase - 200V to 277V / 1Ph / 50Hz or 60Hz

Product Code	Control Voltage	Airflow	Airflow m³/s @ Static Pressure Pa.											Overall Efficiency %	FMEG	Motor Electrical Data		dBA @ 3m					
			0	25	50	75	100	150	200	250	300	350	400			500	FLC Amps			Input kW			
SSRV400/4-1EC	10V	m³ / s	1.318	1.274	1.227	1.175	1.118	0.989	0.846	0.706							30.6	N38	2.63	0.594	Inlet	-	
		W / (L/s)	0.34	0.36	0.38	0.41	0.45	0.54	0.67	0.82											Outlet	-	
	8V	m³ / s	1.027	0.976	0.916	0.842	0.752	0.543											31.6	1.30	0.275	Inlet	-
		W / (L/s)	0.21	0.23	0.26	0.30	0.35	0.48									Outlet					-	
	5V	m³ / s	0.625	0.472	0.338														26.9	0.36	0.067	Inlet	-
		W / (L/s)	0.09	0.14	0.19												Outlet					-	
	2V	m³ / s																	-	-	-	Inlet	-
		W / (L/s)															Outlet					-	
SSRV450/4-1EC	10V	m³ / s	1.162	1.097	1.017	0.914	0.781										29.2	N38	1.51	0.314	Inlet	-	
		W / (L/s)	0.24	0.26	0.29	0.34	0.40														Outlet	-	
	8V	m³ / s	0.918	0.811	0.662												27.0		0.81	0.156	Inlet	-	
		W / (L/s)	0.14	0.18	0.23																Outlet	-	
	5V	m³ / s	0.507														13.4		0.25	0.042	Inlet	-	
		W / (L/s)	0.07																		Outlet	-	
	2V	m³ / s															-		-	-	Inlet	-	
		W / (L/s)																			Outlet	-	
SSRV500/4-1EC	10V	m³ / s	2.403	2.308	2.213	2.115	2.012	1.775	1.419								36.6	N43	3.78	0.862	Inlet	-	
		W / (L/s)	0.32	0.34	0.36	0.39	0.41	0.48	0.61												Outlet	-	
	8V	m³ / s	1.915	1.800	1.673	1.528	1.355										35.8		2.03	0.445	Inlet	-	
		W / (L/s)	0.21	0.23	0.25	0.28	0.32														Outlet	-	
	5V	m³ / s	1.142	0.864													28.8		0.53	0.108	Inlet	-	
		W / (L/s)	0.09	0.12																	Outlet	-	
	2V	m³ / s															-		-	-	Inlet	-	
		W / (L/s)																			Outlet	-	
SSRV560/4-1EC	10V	m³ / s	2.454	2.346	2.228	2.098	1.953	1.590									32.5	N39	3.77	0.851	Inlet	-	
		W / (L/s)	0.34	0.36	0.38	0.40	0.43	0.52													Outlet	-	
	8V	m³ / s	1.965	1.813	1.651	1.469	1.177										32.2		1.98	0.433	Inlet	-	
		W / (L/s)	0.22	0.24	0.26	0.29	0.35														Outlet	-	
	5V	m³ / s	1.163	0.825													24.9		0.52	0.103	Inlet	-	
		W / (L/s)	0.09	0.12																	Outlet	-	
	2V	m³ / s															-		-	-	Inlet	-	
		W / (L/s)																			Outlet	-	
SSRV630/4-1EC	10V	m³ / s	2.850	2.682	2.507	2.332	2.156	1.756									33.3	N40	3.91	0.878	Inlet	-	
		W / (L/s)	0.29	0.31	0.34	0.37	0.40	0.50													Outlet	-	
	8V	m³ / s	2.197	1.989	1.775	1.529	1.151										32.1		1.97	0.418	Inlet	-	
		W / (L/s)	0.16	0.19	0.22	0.27	0.36														Outlet	-	
	5V	m³ / s	1.343	0.832													22.6		0.56	0.112	Inlet	-	
		W / (L/s)	0.08	0.13																	Outlet	-	
	2V	m³ / s															-		-	-	Inlet	-	
		W / (L/s)																			Outlet	-	

Overall static efficiency, r/min and FMEG values are as per ISO 12759 installation category C. FLC Amps @ 230V / 1Ph / 50Hz.
 The overall A-scale sound pressure level is at a distance of three meters with spherical propagation. It is expressed in dB re 20µPa and is presented for comparative purposes only.
 A variable speed drive is integrated within the fan.
 Please contact Elta Fans for full sound data.

Elta Fans Limited has a policy of continuous product development and improvement and therefore reserves the right to supply products which may differ from those illustrated and described in this publication. Confirmation of dimensions and data will be supplied on request.

Skyflow SSRV

Performance, SFP & Electrical Data



SINGLE Phase - 200V to 277V / 1Ph / 50Hz or 60Hz

Product Code	Control Voltage	Airflow	Airflow m ³ /s @ Static Pressure Pa.												Overall Efficiency %	FMEG	Motor Electrical Data		dBA @ 3m	
			0	25	50	75	100	150	200	250	300	350	400	500			FLC Amps	Input kW		
SSRV710/6-1EC	10V	m ³ / s	3.004	2.777	2.477	2.128	1.778	1.074	0.227						29.3	N36	3.23	0.719	Inlet	-
		W / (L/s)	0.22	0.24	0.27	0.31	0.38	0.64	3.05										Outlet	-
	8V	m ³ / s	2.490	2.191	1.764	1.179									27.5		1.83	0.396	Inlet	-
		W / (L/s)	0.16	0.18	0.22	0.31													Outlet	-
	5V	m ³ / s	1.427	0.416											12.4		0.49	0.097	Inlet	-
		W / (L/s)	0.07	0.21															Outlet	-
	2V	m ³ / s													-				Inlet	-
		W / (L/s)																	Outlet	-

Overall static efficiency, r/min and FMEG values are as per ISO 12759 installation category C. FLC Amps @ 230V / 1Ph / 50Hz.
The overall A-scale sound pressure level is at a distance of three meters with spherical propagation. It is expressed in dB re 20µPa and is presented for comparative purposes only.

Elta Fans Limited has a policy of continuous product development and improvement and therefore reserves the right to supply products which may differ from those illustrated and described in this publication. Confirmation of dimensions and data will be supplied on request.

Skyflow SSRV

Sound Data



SINGLE Phase - 200V to 277V / 1Ph / 50Hz or 60Hz

Product Code	Control Voltage		Sound Power Level dBW @ Octave Band Hz								Total dB
			63Hz	125Hz	250Hz	500Hz	1 kHz	2 kHz	4 kHz	8 kHz	
SSRV400/4-1EC	10V	Inlet	-	-	-	-	-	-	-	-	-
		Outlet	-	-	-	-	-	-	-	-	-
	8V	Inlet	-	-	-	-	-	-	-	-	-
		Outlet	-	-	-	-	-	-	-	-	-
	5V	Inlet	-	-	-	-	-	-	-	-	-
		Outlet	-	-	-	-	-	-	-	-	-
	2V	Inlet	-	-	-	-	-	-	-	-	-
		Outlet	-	-	-	-	-	-	-	-	-
SSRV450/4-1EC	10V	Inlet	-	-	-	-	-	-	-	-	-
		Outlet	-	-	-	-	-	-	-	-	-
	8V	Inlet	-	-	-	-	-	-	-	-	-
		Outlet	-	-	-	-	-	-	-	-	-
	5V	Inlet	-	-	-	-	-	-	-	-	-
		Outlet	-	-	-	-	-	-	-	-	-
	2V	Inlet	-	-	-	-	-	-	-	-	-
		Outlet	-	-	-	-	-	-	-	-	-
SSRV500/4-1EC	10V	Inlet	-	-	-	-	-	-	-	-	-
		Outlet	-	-	-	-	-	-	-	-	-
	8V	Inlet	-	-	-	-	-	-	-	-	-
		Outlet	-	-	-	-	-	-	-	-	-
	5V	Inlet	-	-	-	-	-	-	-	-	-
		Outlet	-	-	-	-	-	-	-	-	-
	2V	Inlet	-	-	-	-	-	-	-	-	-
		Outlet	-	-	-	-	-	-	-	-	-
SSRV560/4-1EC	10V	Inlet	-	-	-	-	-	-	-	-	-
		Outlet	-	-	-	-	-	-	-	-	-
	8V	Inlet	-	-	-	-	-	-	-	-	-
		Outlet	-	-	-	-	-	-	-	-	-
	5V	Inlet	-	-	-	-	-	-	-	-	-
		Outlet	-	-	-	-	-	-	-	-	-
	2V	Inlet	-	-	-	-	-	-	-	-	-
		Outlet	-	-	-	-	-	-	-	-	-
SSRV630/4-1EC	10V	Inlet	-	-	-	-	-	-	-	-	-
		Outlet	-	-	-	-	-	-	-	-	-
	8V	Inlet	-	-	-	-	-	-	-	-	-
		Outlet	-	-	-	-	-	-	-	-	-
	5V	Inlet	-	-	-	-	-	-	-	-	-
		Outlet	-	-	-	-	-	-	-	-	-
	2V	Inlet	-	-	-	-	-	-	-	-	-
		Outlet	-	-	-	-	-	-	-	-	-

Data provided at standard air density of 1.2 kg/m³.

Tests and preparation of the sound data have been carried out in accordance with BS 848 Part 2:1985 at 50% peak pressure.

The Sound Power Level Spectra are in dB re-1pW.

Please contact Elta Fans for full sound data.

Elta Fans Limited has a policy of continuous product development and improvement and therefore reserves the right to supply products which may differ from those illustrated and described in this publication. Confirmation of dimensions and data will be supplied on request.

Skyflow SSRV

Sound Data



SINGLE Phase - 200V to 277V / 50Hz or 60Hz

Product Code	Control Voltage		Sound Power Level dBW @ Octave Band Hz								Total dB
			63Hz	125Hz	250Hz	500Hz	1 kHz	2 kHz	4 kHz	8 kHz	
SSRV710/6-1EC	10V	Inlet	-	-	-	-	-	-	-	-	-
		Outlet	-	-	-	-	-	-	-	-	-
	8V	Inlet	-	-	-	-	-	-	-	-	-
		Outlet	-	-	-	-	-	-	-	-	-
	5V	Inlet	-	-	-	-	-	-	-	-	-
		Outlet	-	-	-	-	-	-	-	-	-
	2V	Inlet	-	-	-	-	-	-	-	-	-
		Outlet	-	-	-	-	-	-	-	-	-

Data provided at standard air density of 1.2 kg/m³.

Tests and preparation of the sound data have been carried out in accordance with BS 848 Part 2:1985 at 50% peak pressure.

The Sound Power Level Spectra are in dB re-1pW.

Please contact Elta Fans for full sound data.

Elta Fans Limited has a policy of continuous product development and improvement and therefore reserves the right to supply products which may differ from those illustrated and described in this publication. Confirmation of dimensions and data will be supplied on request.

Skyflow SSRV



Performance, SFP & Electrical Data

THREE Phase - 380V to 480V / 3Ph / 50Hz or 60Hz

Product Code	Control Voltage	Airflow	Airflow m ³ /s @ Static Pressure Pa.											Overall Efficiency %	FMEG	Motor Electrical Data		dBA @ 3m		
			0	25	50	75	100	150	200	250	300	350	400			500	FLC Amps			Input kW
SSRV500/4-3EC	10V	m ³ / s	2.614	2.533	2.447	2.355	2.256	2.031	1.769						37.8	N43	1.66	1.064	Inlet	-
		W / (L/s)	0.37	0.39	0.41	0.43	0.45	0.51	0.60										Outlet	-
	8V	m ³ / s	2.090	1.980	1.867	1.745	1.606	1.229							37.7		1.00	0.546	Inlet	-
		W / (L/s)	0.24	0.26	0.28	0.30	0.33	0.44											Outlet	-
	5V	m ³ / s	1.236	1.022	0.719										31.4		0.38	0.134	Inlet	-
		W / (L/s)	0.10	0.13	0.18														Outlet	-
	2V	m ³ / s													-		-	-	Inlet	-
		W / (L/s)																	Outlet	-
SSRV560/4-3EC	10V	m ³ / s	2.681	2.582	2.471	2.352	2.228	1.947						32.3	N38	1.69	1.073	Inlet	-	
		W / (L/s)	0.39	0.41	0.43	0.45	0.48	0.55											Outlet	-
	8V	m ³ / s	2.128	1.994	1.845	1.671	1.457							31.8		0.99	0.537	Inlet	-	
		W / (L/s)	0.25	0.27	0.29	0.32	0.36												Outlet	-
	5V	m ³ / s	1.280	0.965										26.4		0.37	0.127	Inlet	-	
		W / (L/s)	0.10	0.13															Outlet	-
	2V	m ³ / s												-		-	-	Inlet	-	
		W / (L/s)																	Outlet	-
SSRV630/4-3EC	10V	m ³ / s	3.249	3.142	3.013	2.869	2.719	2.413	2.039					38.1	N44	1.87	1.165	Inlet	-	
		W / (L/s)	0.31	0.33	0.35	0.38	0.41	0.47	0.57										Outlet	-
	8V	m ³ / s	2.613	2.462	2.286	2.097	1.894							37.7		1.09	0.610	Inlet	-	
		W / (L/s)	0.20	0.22	0.25	0.28	0.32												Outlet	-
	5V	m ³ / s	1.573	1.202										27.9		0.41	0.150	Inlet	-	
		W / (L/s)	0.08	0.12															Outlet	-
	2V	m ³ / s												-		-	-	Inlet	-	
		W / (L/s)																	Outlet	-
SSRV710/6-3EC	10V	m ³ / s	3.371	3.168	2.931	2.654	2.328	1.597						30.3	N36	1.51	0.924	Inlet	-	
		W / (L/s)	0.28	0.29	0.31	0.34	0.38	0.55											Outlet	-
	8V	m ³ / s	2.660	2.435	2.088	1.550	1.150							28.7		0.92	0.477	Inlet	-	
		W / (L/s)	0.18	0.20	0.22	0.29	0.40												Outlet	-
	5V	m ³ / s	1.580	0.617										16.6		0.35	0.117	Inlet	-	
		W / (L/s)	0.08	0.17															Outlet	-
	2V	m ³ / s												-		-	-	Inlet	-	
		W / (L/s)																	Outlet	-

Overall static efficiency, r/min and FMEG values are as per ISO 12759 installation category C*. FLC Amps @ 400V / 3Ph / 50Hz.

The overall A-weighted sound pressure level is at a distance of 3m with spherical free-field propagation. It is expressed in dB re-20μPa and is presented for comparative purposes only.

A variable speed drive is integrated within the fan.

Please contact Elta Fans for full sound data.

Skyflow SSRV

Sound Data



THREE Phase - 380V to 480V / 3Ph / 50Hz or 60Hz

Product Code	Control Voltage		Sound Power Level dBW @ Octave Band Hz								Total dB
			63Hz	125Hz	250Hz	500Hz	1 kHz	2 kHz	4 kHz	8 kHz	
SSRV500/4-3EC	10V	Inlet	-	-	-	-	-	-	-	-	-
		Outlet	-	-	-	-	-	-	-	-	-
	8V	Inlet	-	-	-	-	-	-	-	-	-
		Outlet	-	-	-	-	-	-	-	-	-
	5V	Inlet	-	-	-	-	-	-	-	-	-
		Outlet	-	-	-	-	-	-	-	-	-
	2V	Inlet	-	-	-	-	-	-	-	-	-
		Outlet	-	-	-	-	-	-	-	-	-
SSRV560/4-3EC	10V	Inlet	-	-	-	-	-	-	-	-	-
		Outlet	-	-	-	-	-	-	-	-	-
	8V	Inlet	-	-	-	-	-	-	-	-	-
		Outlet	-	-	-	-	-	-	-	-	-
	5V	Inlet	-	-	-	-	-	-	-	-	-
		Outlet	-	-	-	-	-	-	-	-	-
	2V	Inlet	-	-	-	-	-	-	-	-	-
		Outlet	-	-	-	-	-	-	-	-	-
SSRV630/4-3EC	10V	Inlet	-	-	-	-	-	-	-	-	-
		Outlet	-	-	-	-	-	-	-	-	-
	8V	Inlet	-	-	-	-	-	-	-	-	-
		Outlet	-	-	-	-	-	-	-	-	-
	5V	Inlet	-	-	-	-	-	-	-	-	-
		Outlet	-	-	-	-	-	-	-	-	-
	2V	Inlet	-	-	-	-	-	-	-	-	-
		Outlet	-	-	-	-	-	-	-	-	-
SSRV710/6-3EC	10V	Inlet	-	-	-	-	-	-	-	-	-
		Outlet	-	-	-	-	-	-	-	-	-
	8V	Inlet	-	-	-	-	-	-	-	-	-
		Outlet	-	-	-	-	-	-	-	-	-
	5V	Inlet	-	-	-	-	-	-	-	-	-
		Outlet	-	-	-	-	-	-	-	-	-
	2V	Inlet	-	-	-	-	-	-	-	-	-
		Outlet	-	-	-	-	-	-	-	-	-

Data provided at standard air density of 1.2 kg/m³.

Tests and preparation of the sound data have been carried out in accordance with BS 848 Part 2:1985 at 50% peak pressure.

The Sound Power Level Spectra are in dB re-1pW.

Please contact Elta Fans for full sound data.

Elta Fans Limited has a policy of continuous product development and improvement and therefore reserves the right to supply products which may differ from those illustrated and described in this publication. Confirmation of dimensions and data will be supplied on request.

For more information on Accessories & Wiring Diagrams, please see individual product downloads, or visit eltaselect.com/information-centre

SINGLE Phase - 200V to 277V / 50Hz or 60Hz

Product Code	Electronic Controller	Drop in Silencer 600mm Long	Drop in Silencer 900mm Long	Drop in Silencer 1200mm Long	Wiring Diagram No.no
SSRV400/4-1EC	149-POT-10	068-SFDS-0600-B	068-SFDS-0900-B	068-SFDS-1200-B	152-00044
SSRV450/4-1EC	149-POT-10	068-SFDS-0600-B	068-SFDS-0900-B	068-SFDS-1200-B	152-MOEA03K1
SSRV500/4-1EC	149-POT-10	068-SFDS-0600-C	068-SFDS-0900-C	068-SFDS-1200-C	152-MOEA03K1
SSRV560/4-1EC	149-POT-10	068-SFDS-0600-C	068-SFDS-0900-C	068-SFDS-1200-C	152-MOEA03K1
SSRV630/4-1EC	149-POT-10	068-SFDS-0600-D	068-SFDS-0900-D	068-SFDS-1200-D	152-MOEA03K1
SSRV710/6-1EC	149-POT-10	068-SFDS-0600-D	068-SFDS-0900-D	068-SFDS-1200-D	152-MOEA03K1

THREE Phase - 380V to 480V / 50Hz or 60Hz

Product Code	Electronic Controller	Drop in Silencer 600mm Long	Drop in Silencer 900mm Long	Drop in Silencer 1200mm Long	Wiring Diagram No.no
SSRV500/4-3EC	149-POT-10	068-SFDS-0600-C	068-SFDS-0900-C	068-SFDS-1200-C	152-MOEA03K3
SSRV560/4-3EC	149-POT-10	068-SFDS-0600-C	068-SFDS-0900-C	068-SFDS-1200-C	152-MOEA03K3
SSRV630/4-3EC	149-POT-10	068-SFDS-0600-C	068-SFDS-0900-C	068-SFDS-1200-C	152-MOEA03K3
SSRV710/6-3EC	149-POT-10	068-SFDS-0600-D	068-SFDS-0900-D	068-SFDS-1200-D	152-MOEA03K3

Optimum Energy Efficiency Point

SINGLE Phase - 200V to 277V / 50Hz

Product Code	Volume m ³ /s	Pressure Pa	Input kW	Speed r/min	Efficiency %	FMEG
SSR400/4-1EC	0.657	270	0.579	1810	30.6%	N38
SSR450/4-1EC	0.662	121	0.307	1303	29.2%	N38
SSR500/4-1EC	1.535	187	0.859	1432	36.6%	N43
SSR560/4-1EC	1.498	160	0.807	1242	32.5%	N39
SSR630/4-1EC	1.654	160	0.866	1055	33.3%	N40
SSR710/6-1EC	1.628	111	0.679	889	29.3%	N36

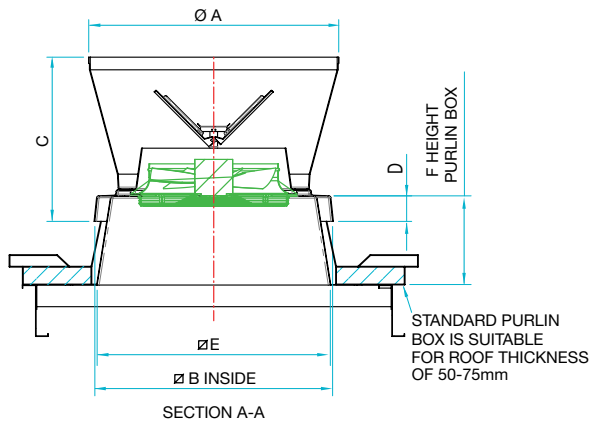
THREE Phase - 380V to 480V / 50Hz or 60Hz

Product Code	Volume m ³ /s	Pressure Pa	Input kW	Speed r/min	Efficiency %	FMEG
SSRV500/4-3EC	1.511	244	1.058	1555	37.8%	N43
SSRV560/4-3EC	1.662	183	1.023	1353	32.3%	N38
SSRV630/4-3EC	2.016	202	1.158	1208	38.1%	N44
SSRV710/6-3EC	1.901	129	0.885	962	30.3%	N36

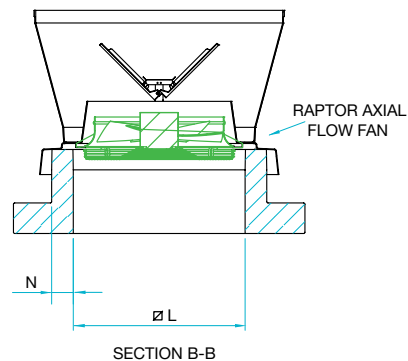
Overall static efficiency, r/min and FMEG values are as per ISO 12759 installation category C*. A variable speed drive is integrated within the fan.

Skyflow SSRV

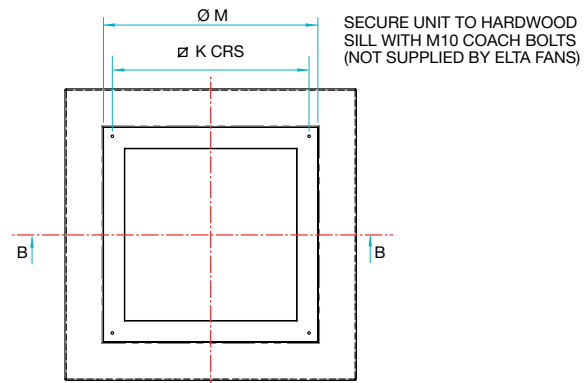
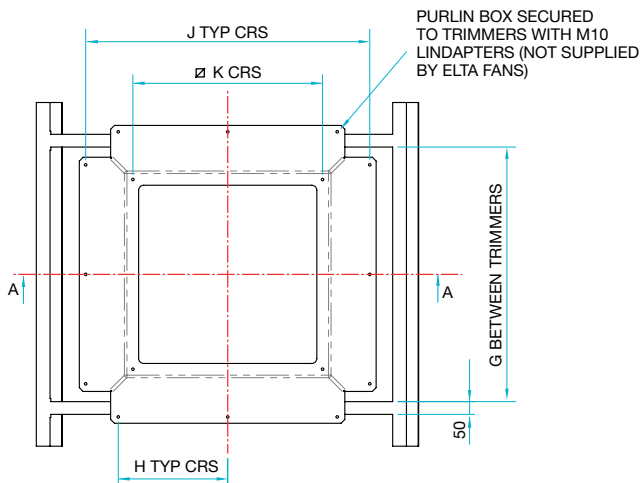
Dimensional Data



PURLIN MOUNTING UNIT



CURB MOUNTING UNIT



Product Code	A	B	C	D	E	F	G	H	J	K	L	M	N	Weight kg
SSRV315	650	684	445	80	610	240	636	250	750	500	460	610	75	19
SSRV350	650	684	445	80	610	240	636	250	750	500	460	610	75	20
SSRV400	768	784	503	85	730	250	756	300	870	600	550	700	75	25
SSRV450	768	784	503	85	730	250	756	300	870	600	550	700	75	32
SSRV500	982	934	645	100	860	250	886	350	1000	745	700	850	75	44
SSRV560	982	934	645	100	860	250	886	350	1000	745	700	850	75	51
SSRV630	1156	1054	764	106	1000	250	1026	435	1140	870	830	980	75	69
SSRV710	1156	1054	764	106	1000	250	1026	435	1140	870	830	980	75	65

All dimensions are shown in mm.
Maximum weights are inclusive of largest fan, but do not include purlin box.

Elta Fans Limited has a policy of continuous product development and improvement and therefore reserves the right to supply products which may differ from those illustrated and described in this publication. Confirmation of dimensions and data will be supplied on request.



BUILDING SERVICES

Tel: +44 (0) 1384 275800
Fax: +44 (0) 1384 275810
e-mail: bs@eltafans.co.uk

46 Third Avenue
Pensnett Trading Estate
Kingswinford, West Midlands
DY6 7US, United Kingdom

APPLIED TECHNOLOGY

Tel: +44 (0) 1489 566500
Fax: +44 (0) 1489 566555
e-mail: at@eltafans.co.uk

17 Barnes Wallis Road
Segensworth East Industrial Estate
Fareham, Hampshire
PO15 5ST, United Kingdom

EXPORT

Tel: +44 (0) 1489 566500
Fax: +44 (0) 1489 566555
e-mail: export@eltafans.co.uk

17 Barnes Wallis Road
Segensworth East Industrial Estate
Fareham, Hampshire
PO15 5ST, United Kingdom

www.eltafans.com



BS EN ISO 9001:2008
FM 556465



A member of
HEVAC ASSOCIATION



PATRONS

A member of **ELTA**
GROUP LIMITED