



# Skyflow SSMF

## Wiring Diagrams

t: 01384 275800  
f: 01384 275810  
e: [bs@eltafans.co.uk](mailto:bs@eltafans.co.uk)  
visit: [eltaselect.com](http://eltaselect.com)

# Skyflow SSMF

## Wiring Diagram Compatibility



Please use the table(s) below to match up the product code and the wiring diagram number.

### AC SINGLE Phase - 220V to 240V / 50Hz

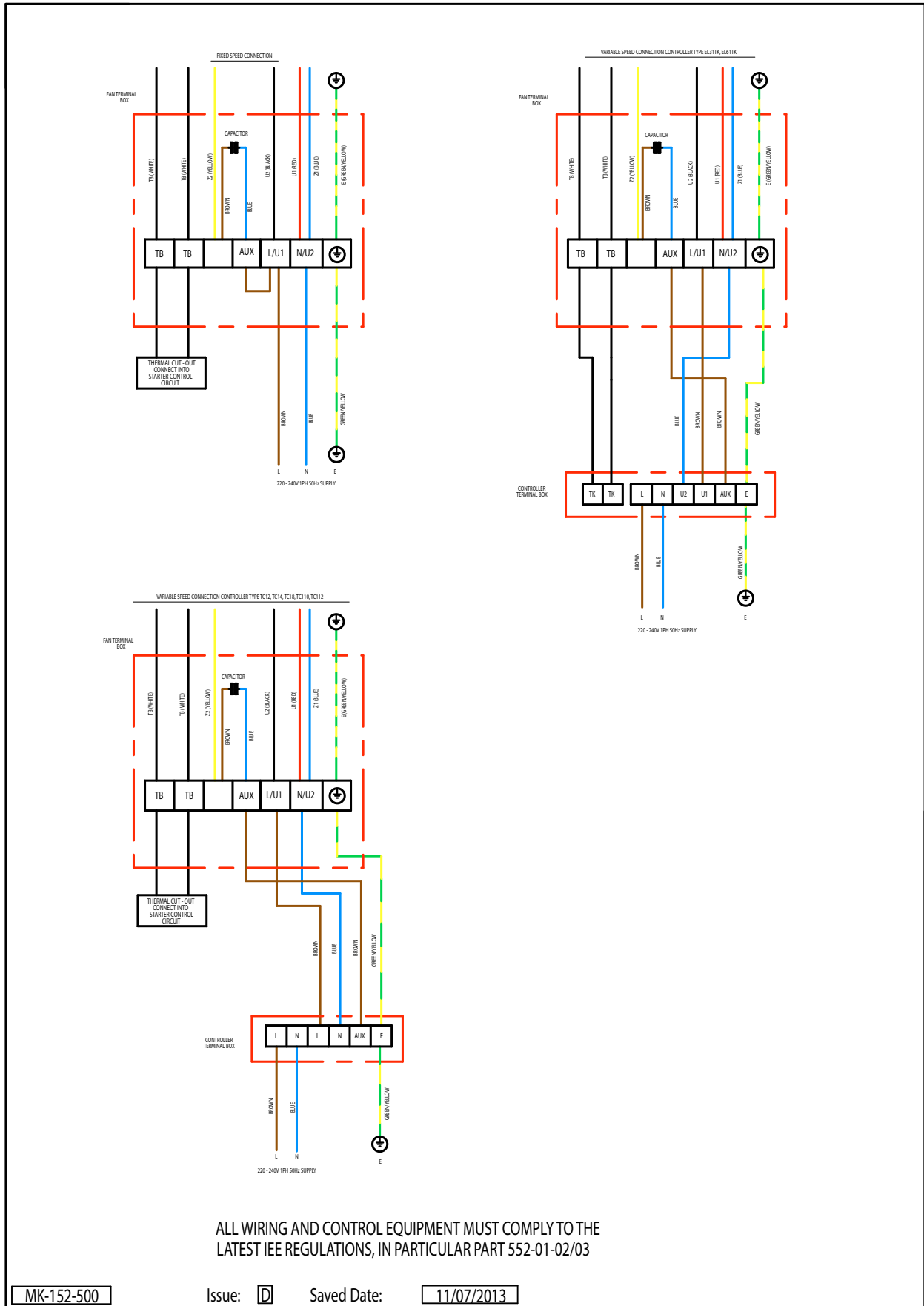
Product Code	Wiring Diagram No.	Page No.
<b>SSMF315/4-5-2</b>	152-500	3
<b>SSMF315/6-5-2</b>	152-500	3
<b>SSMF350/4-4-2</b>	152-500	3
<b>SSMF350/6-5-2</b>	152-500	3
<b>SSMF400/4-5-2</b>	152-500	3
<b>SSMF400/6-5-2</b>	152-500	3
<b>SSMF450/4-4-2</b>	152-500	3
<b>SSMF450/6-5-2</b>	152-500	3
<b>SSMF500/6-5-2</b>	152-500	3
<b>SSMF560/6-3-2</b>	152-500	3

### AC THREE Phase - 380V to 415V / 50Hz

Product Code	Wiring Diagram No.	Page No.
<b>SSMF315/4-5-3</b>	152-608	4
<b>SSMF315/6-5-3</b>	152-608	4
<b>SSMF350/4-5-3</b>	152-608	4
<b>SSMF350/6-5-3</b>	152-608	4
<b>SSMF400/4-5-3</b>	152-608	4
<b>SSMF400/6-5-3</b>	152-608	4
<b>SSMF450/4-4-3</b>	152-608	4
<b>SSMF450/6-5-3</b>	152-608	4
<b>SSMF500/4-4-3</b>	152-608	4
<b>SSMF500/6-5-3</b>	152-608	4
<b>SSMF560/4-2-3</b>	152-608	4
<b>SSMF560/4-4-3</b>	152-608	4
<b>SSMF560/6-3-3</b>	152-608	4
<b>SSMF630/6-3-3</b>	152-601	5

# Wiring Diagram No. 152-500

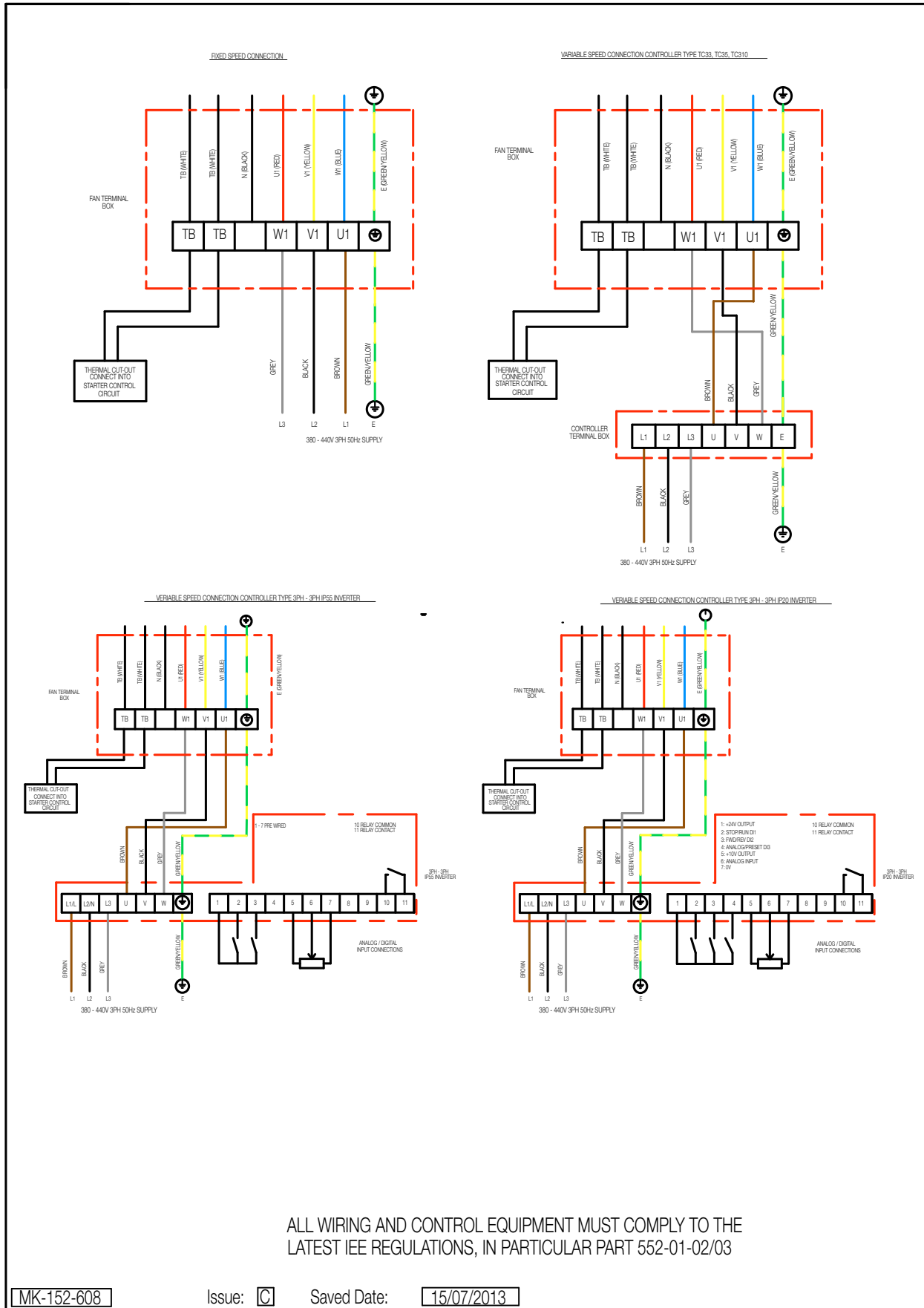
Please check the individual product accessories table for fan and controller compatibility.



Elta Fans Limited has a policy of continuous product development and improvement and therefore reserves the right to supply products which may differ from those illustrated and described in this publication. Confirmation of dimensions and data will be supplied on request.

# Wiring Diagram No. 152-608

Please check the individual product accessories table for fan and controller compatibility.



MK-152-608

Issue: C

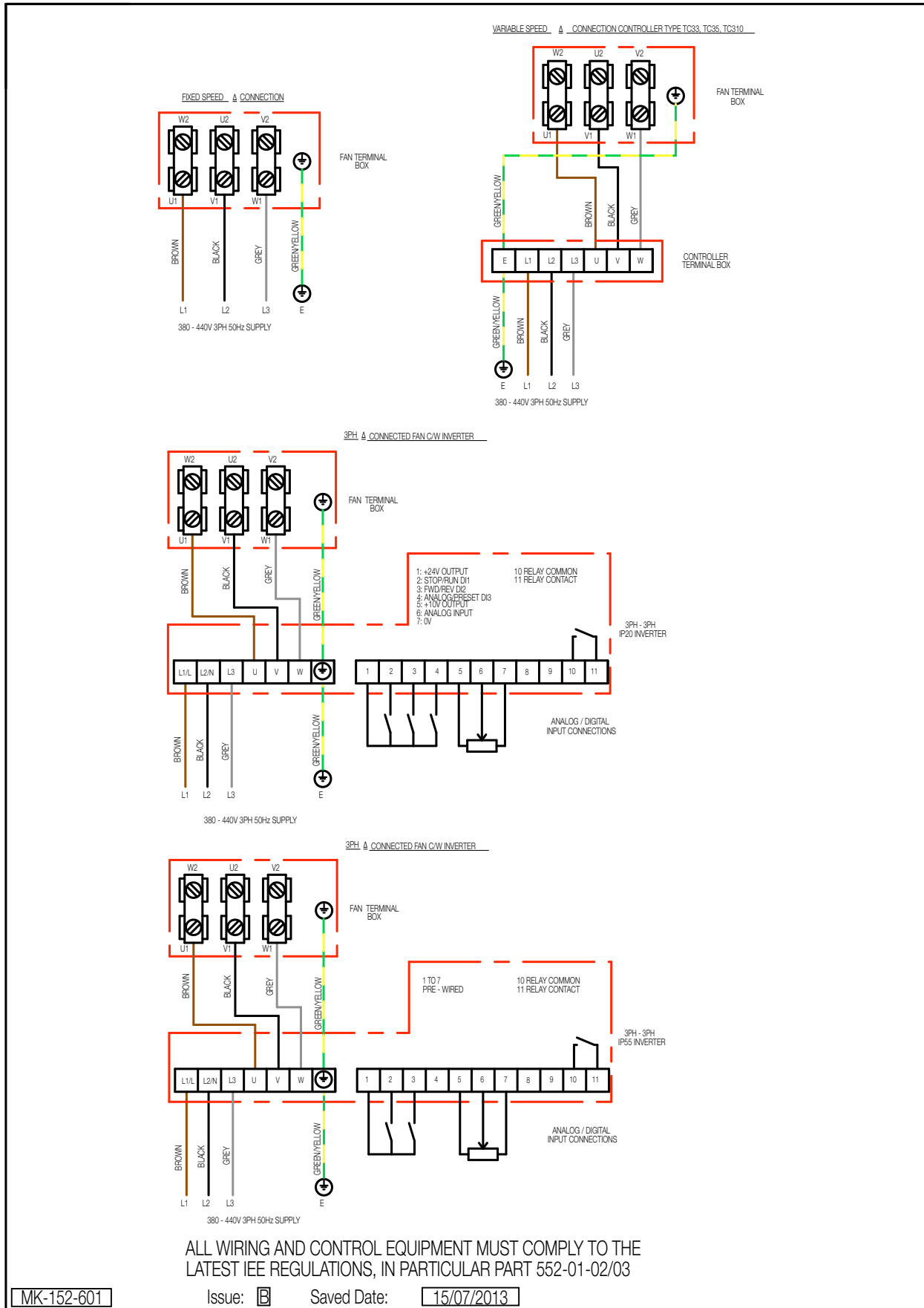
Saved Date:

15/07/2013

Elta Fans Limited has a policy of continuous product development and improvement and therefore reserves the right to supply products which may differ from those illustrated and described in this publication. Confirmation of dimensions and data will be supplied on request.

# Wiring Diagram No. 152-601

Please check the individual product accessories table for fan and controller compatibility.



Elta Fans Limited has a policy of continuous product development and improvement and therefore reserves the right to supply products which may differ from those illustrated and described in this publication. Confirmation of dimensions and data will be supplied on request.



#### BUILDING SERVICES

**Tel:** +44 (0) 1384 275800  
**Fax:** +44 (0) 1384 275810  
**e-mail:** bs@eltafans.co.uk

46 Third Avenue  
Pensnett Trading Estate  
Kingswinford, West Midlands  
DY6 7US, United Kingdom

#### APPLIED TECHNOLOGY

**Tel:** +44 (0) 1489 566500  
**Fax:** +44 (0) 1489 566555  
**e-mail:** at@eltafans.co.uk

17 Barnes Wallis Road  
Segnesworth East Industrial Estate  
Fareham, Hampshire  
PO15 5ST, United Kingdom

#### EXPORT

**Tel:** +44 (0) 1489 566500  
**Fax:** +44 (0) 1489 566555  
**e-mail:** export@eltafans.co.uk

17 Barnes Wallis Road  
Segnesworth East Industrial Estate  
Fareham, Hampshire  
PO15 5ST, United Kingdom

[www.eltafans.com](http://www.eltafans.com)



BS EN ISO 9001:2008  
FM 556465



A member of  
HEVAC ASSOCIATION



PATRONS

A member of

**ELTA**  
GROUP LIMITED