

Heritage SCH

Installation and Maintenance Instructions

THESE INSTRUCTIONS MUST BE READ FULLY BEFORE COMMENCING INSTALLATION.

CONTENTS	AC
	PAGE NO.
Electrical Data	2
Dimensional Data	3
Installation Instructions	4
General	4
Installation	4
Start Up	4
Fan Maintenance	4
Guarantee	4
Wiring Diagrams	5

Heritage SCH

Electrical Data



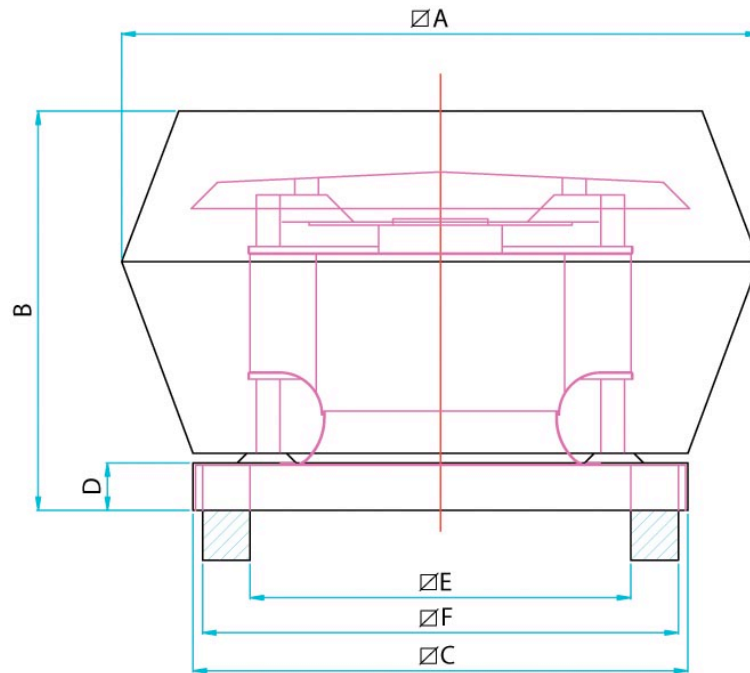
Product Code	Supply	FLC Amps	Output kW	Speed r/min	Wiring Diagram No.
SCH315/6-2	220V to 240V/1Ph/50Hz	0.54	0.07	900	152-511
SCH315/4-2	220V to 240V/1Ph/50Hz	0.66	0.15	1380	152-511
SCH350/6-2	220V to 240V/1Ph/50Hz	0.32	0.07	900	152-511
SCH350/4-2	220V to 240V/1Ph/50Hz	1.25	0.28	1380	152-511
SCH400/6-2	220V to 240V/1Ph/50Hz	0.88	0.20	900	152-511
SCH400/4-2	220V to 240V/1Ph/50Hz	2.00	0.42	1380	152-511
SCH450/6-2	220V to 240V/1Ph/50Hz	2.00	0.43	900	152-511
SCH450/4-2	220V to 240V/1Ph/50Hz	3.50	0.76	1380	152-511
SCH500/6-2	220V to 240V/1Ph/50Hz	2.50	0.53	900	152-511
SCH560/6-2	220V to 240V/1Ph/50Hz	4.10	0.84	900	152-511

Product Code	Supply	FLC Amps	Input kW	Speed r/min	Wiring Diagram No.
SCH315/6-3	380V to 415V/3Ph/50Hz	0.15	0.09	900	152-609
SCH315/4-3	380V to 415V/3Ph/50Hz	0.37	0.18	1380	152-609
SCH350/6-3	380V to 415V/3Ph/50Hz	0.22	0.13	900	152-609
SCH350/4-3	380V to 415V/3Ph/50Hz	0.51	0.19	1380	152-609
SCH400/6-3	380V to 415V/3Ph/50Hz	0.73	0.23	900	152-609
SCH400/4-3	380V to 415V/3Ph/50Hz	1.40	0.45	1380	152-609
SCH450/6-3	380V to 415V/3Ph/50Hz	0.90	0.44	900	152-609
SCH450/4-3	380V to 415V/3Ph/50Hz	1.47	0.77	1380	152-609
SCH500/6-3	380V to 415V/3Ph/50Hz	1.20	0.65	900	152-609
SCH500/4-3	380V to 415V/3Ph/50Hz	2.60	1.30	1380	152-609
SCH560/6-3	380V to 415V/3Ph/50Hz	1.45	0.69	900	152-609
SCH560/4-3	380V to 415V/3Ph/50Hz	4.10	2.16	1380	152-609
SCH630/6-3	380V to 415V/3Ph/50Hz	2.20	1.10	900	152-609
SCH630/4-3	380V to 415V/3Ph/50Hz	7.35	4.30	1380	152-609

Elta Fans Limited has a policy of continuous product development and improvement and therefore reserves the right to supply products which may differ from those illustrated and described in this publication. Confirmation of dimensions and data will be supplied on request.

Heritage SCH

Dimensional Data



Product Code	A	B	C	D	E	F	Weight Kg	
							4-Pole	6-Pole
SCH315	520	310	430	50	310	410	16	16
SCH350	670	420	520	50	400	500	26	26
SCH400	670	420	520	50	400	500	26	26
SCH450	900	540	740	60	620	720	49	49
SCH500	900	540	740	60	620	720	57	51
SCH560	900	540	740	60	620	720	65	56
SCH630	1160	670	830	60	710	810	97	78

Eta Fans Limited has a policy of continuous product development and improvement and therefore reserves the right to supply products which may differ from those illustrated and described in this publication. Confirmation of dimensions and data will be supplied on request.

1.0 GENERAL

- 1.1 It is important these Installation and Maintenance Instructions are fully adhered to.
- 1.2 Full details of the unit supplied are shown on the product nameplate. If in doubt about any detail contact Elta Fans Ltd or its agents for clarification.
- 1.3 All electrical installation must be carried out by suitably qualified and competent personnel in accordance with all current statutory requirements.
- 1.4 These instructions cover only the Elta Fans Ltd product and do not include the supply or installation of any safety equipment that may be required e.g. adequate guarding or protection from rotating parts and proper electrical isolation.
- 1.5 Any declarations made by Elta Fans Ltd about product installation and safety, are dependant on the fan equipment being used within installations which themselves meet the requirements of the relevant Standards and Directives of your region.
- 1.6 The fan is designed for use in an ambient temperature of -20°C up to a maximum of +50°C (refer to the relevant table) and up to 95% relative humidity. The fan is not suitable for corrosive or explosive atmospheres.
- 1.7 The installer should provide easy access to the fan to facilitate future maintenance.
- 1.8 The installer should ensure the fan is adequately supported.
- 1.9 This product is not intended for use by persons (including children) with reduced physical, sensory or mental capabilities, or lack of experience and knowledge, unless they have been given supervision or instruction concerning use of the product by a person responsible for their safety.
Children should be supervised to ensure that they do not play with the product.
- 1.10 At end-of-life, the unit must be disposed of in an environmentally friendly manner by suitably qualified and competent personnel in accordance with the requirements of applicable Standards and Directives.

2.0 INSTALLATION

WARNING – The fan must be isolated from the power supply during installation and maintenance. The fan must be earthed in accordance with the local regulations.

- 2.1 Upon receipt, the fan equipment should be visually inspected to check for any damage. Ensure that the impeller is free to rotate.
- 2.2 If there are any queries concerning the fan equipment, Elta Fans Ltd should be contacted prior to the installation.
- 2.3 The fan must be securely mounted in the desired position to suit the application. The fan can be mounted on flat or inclined roofs with a maximum pitch angle of 30°.
- 2.4 Position the assembled roof fan unit onto the curb and secure to the timber sill with M10 coach bolts (not supplied by Elta Fans), ensuring that fibre washers are positioned under each bolt head. It is advisable to drill pilot holes prior to fitting the bolts to prevent splitting the timber curb.
- 2.5 Check the details on the motor rating plate to ensure that the correct power supply (voltage, frequency and phase) is available.
An incorrect power supply will lead to permanent damage to the fan motor.
- 2.6 Refer to the appropriate wiring diagram. Ensure that all earth connections are made.
- 2.7 Means for electrical disconnection must be incorporated in the wiring installation in accordance with the relevant wiring and electrical regulations.
- 2.8 Precaution must be taken to locate the exhaust discharge terminal so as to avoid the backflow of gases into the room from the open flue of gas or other fuel burning appliances.

3.0 START-UP

- 3.1 Before power is supplied to the unit, check that the wiring is correct as per the fan connection diagram.
- 3.2 At initial start-up, check that impeller rotation and airflow direction is correct.
- 3.3 Check that the motor amperage draw does not exceed the nameplate rating.

4.0 FAN MAINTENANCE

- 4.1 Inspection of the fan at least once every 12 months is recommended to ensure that the motor, fan blades, and supporting guards, are clean. Any build up of dust and deposits on the blades or guards should be removed using a non-abrasive cleaner.
- 4.2 All fastenings should be checked for tightness. In addition, all rotating items should be checked.
- 4.3 Bearings are of the 'sealed for life' type and will not need a detailed inspection.

5.0 GUARANTEE

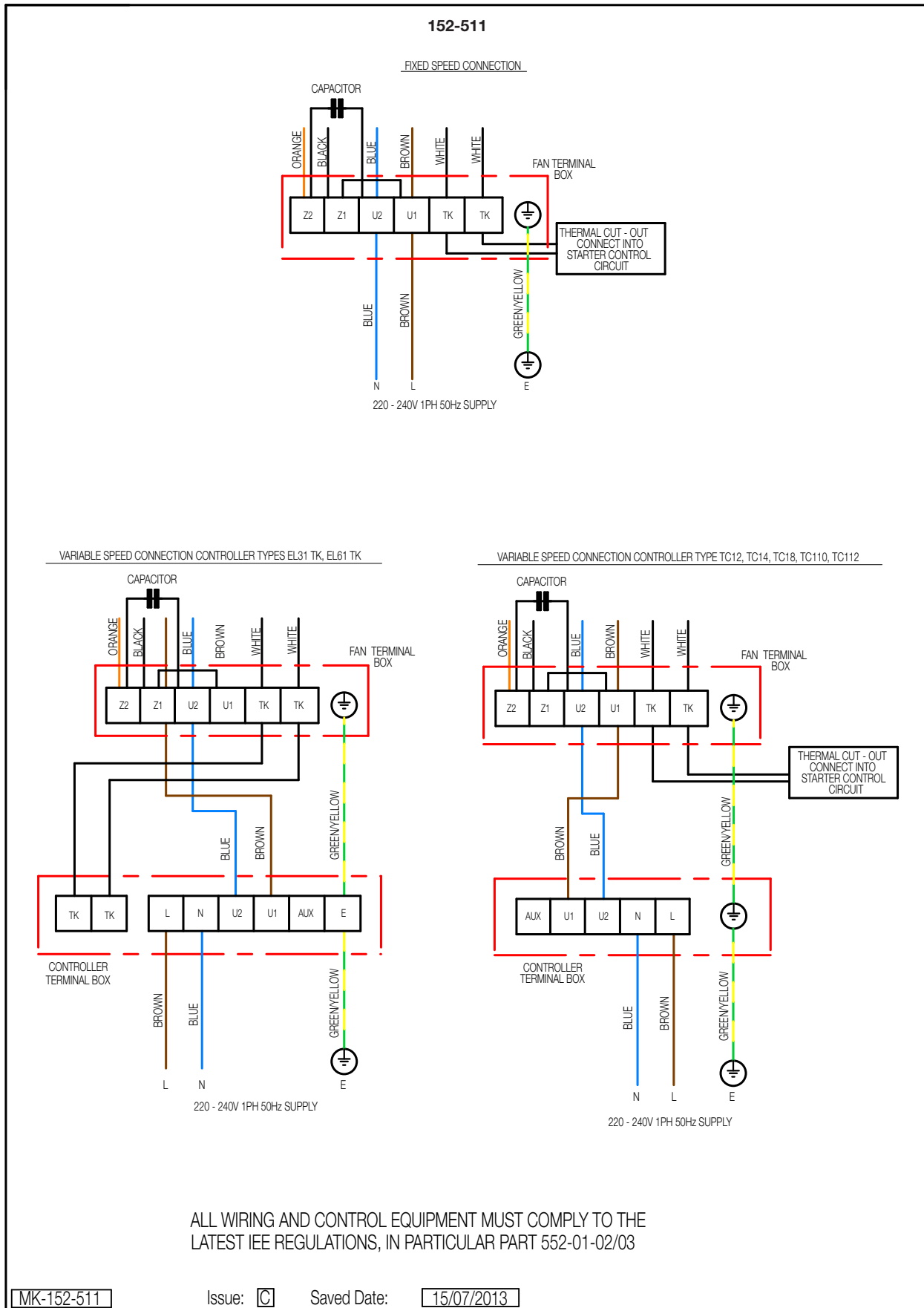
Elta Fans Ltd will, free of charge, within a period of 1 year from the date of dispatch from their works, repair or at its option replace any goods which are proved to have defects as a result of defective materials or workmanship. The goods MUST be returned to Elta Fans Ltd carriage paid for examination.

WARNING – This fan is fitted with an auto-reset thermal contact which switches the fan off in the event of a fault condition. Once the motor cools down the fan may start unexpectedly. Only a suitably qualified and competent person may carry out maintenance after the electrical supply has been isolated.

Elta Fans Limited has a policy of continuous product development and improvement and therefore reserves the right to supply products which may differ from those illustrated and described in this publication. Confirmation of dimensions and data will be supplied on request.

Heritage SCH

Wiring Diagrams



Elta Fans Limited has a policy of continuous product development and improvement and therefore reserves the right to supply products which may differ from those illustrated and described in this publication. Confirmation of dimensions and data will be supplied on request.

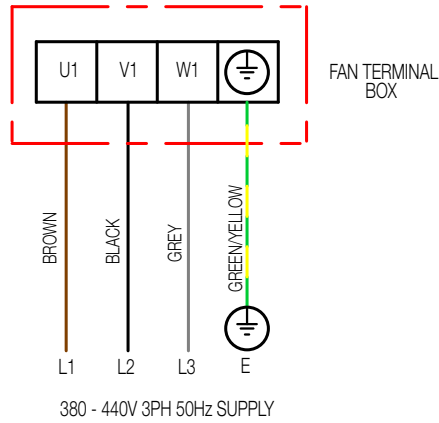
Heritage SCH

Wiring Diagrams

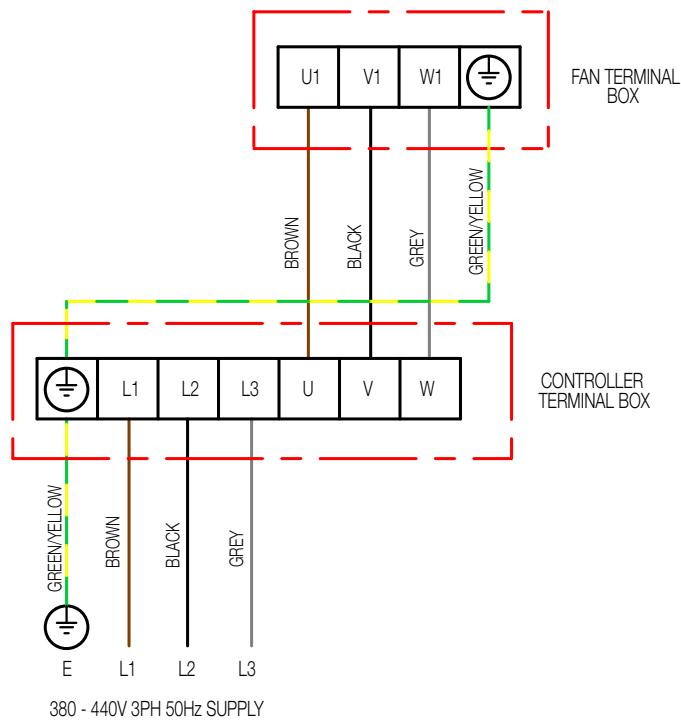


152-609

FIXED SPEED CONNECTION



VARIABLE SPEED CONNECTION CONTROLLER TYPE TC33, TC35, TC310



ALL WIRING AND CONTROL EQUIPMENT MUST COMPLY TO THE LATEST IEE REGULATIONS, IN PARTICULAR PART 552-01-02/03

LMK-152-609

Issue:

Saved Date:

15/07/2013

Elta Fans Limited has a policy of continuous product development and improvement and therefore reserves the right to supply products which may differ from those illustrated and described in this publication. Confirmation of dimensions and data will be supplied on request.



EC DECLARATION OF CONFORMITY/INCORPORATION

Herewith we declare that the air movement equipment below, on the basis of its design and construction in the form brought onto the market is in accordance within the relevant health and safety requirements of the EC Directive for use of machinery.

EC Declaration of Conformity	EC Declaration of Incorporation
<div style="text-align: center; font-size: 48px; margin-bottom: 20px;"> </div> <p>Designation of Equipment:</p> <p>Raptor, Compact, Powerplus, Revolution, Miniflow, Multiflow, Viper, Jetflow, Jetstream, Hideaway, Singleflow, Quietflow, Twinflow, Powerduct, Qube, Slim-Qube, Skyflow, Heritage, Biflow, Zoo Fan, Ceiling Fan, SmokeVent, Pedestal, Window/Wall, Ezifit</p> <p>Type:</p> <p>SPA, SDA, SCP, SCPA, SCD, SCPP, SPP, SLC, SAMF, SMB, SMC, SMT, SCC, HIT, SJS, SH, SSD, SQS, SQSDCV, STD, SQT, SQTDCV, SPD, SQU, SQU-HT, SSQU, SSR, SSF, SSMF, SMF, SSSDR, SSSDRDCV, STDR, STDRDCV, SGE, SCH, SCHAT, SSFV, SSRV, SSC, SB, SDF, HCF, HPFA, HWFA, SRC, SAX, SRE, SEIE, SEWE</p> <p>Low Voltage Directive 2006/95/EC Electromagnetic Compatibility (EMC) Directive 2004/108/EC Energy-Related Products (ErP) Directive 2009/125/EC</p> <p>Herewith declare that the air movement equipment below, on the basis of its design and construction as partly completed machines brought onto the market is in compliance within relevant health and safety requirements of the EC Directives stated above. In the event that alterations are made to the machinery without prior consent with the manufacturer, this declaration becomes invalid.</p>	<p>In accordance with the Machinery Directive 2006/42/EC</p> <p>Designation of Equipment:</p> <p>Raptor, Compact, Powerplus, Revolution, Miniflow, Multiflow, Viper, Jetflow, Jetstream, Hideaway, Singleflow, Quietflow, Twinflow, Powerduct, Qube, Slim-Qube, Skyflow, Heritage, Biflow, Zoo Fan, Ceiling Fan, SmokeVent, Window/Wall, Ezifit</p> <p>Type:</p> <p>SPA, SDA, SCP, SCPA, SCD, SCPP, SPP, SLC, SAMF, SMB, SMC, SMT, SCC, HIT, SJS, SH, SSD, SQS, SQSDCV, STD, SQT, SQTDCV, SPD, SQU, SQU-HT, SSQU, SSR, SSF, SSMF, SMF, SSSDR, SSSDRDCV, STDR, STDRDCV, SGE, SCH, SCHAT, SSFV, SSRV, SSC, SB, SDF, HCF, SEIE, SEWE</p> <p>The design of the partly completed machines listed below complies with the Essential Health and Safety Requirements (EHSRs) of ANNEX I, sections 1.1.2, 1.1.5, 1.4.1, 1.5.1 in EC Machinery Directive 2006/42/EC</p> <p>The partly completed machines comply with the requirements of :- Low Voltage Directive 2006/95/EC, Electromagnetic Compatibility (EMC) Directive 2004/108/EC, Energy-Related Products (ErP) Directive 2009/125/EC</p> <p>The machinery is incomplete and must not be put into service until such time as the machinery which is partly complete is to be incorporated and has been assessed and declared in conformity with the provisions of the Machinery Directive 2006/42/EC.</p> <p>We undertake to transmit, upon reasoned request by appropriate national authorities, relevant information on the partly completed machinery identified above.</p>
<p>Manufacturer: Elta Fans Limited 17 Barnes Wallis Road Segensworth East Industrial Estate Fareham, Hampshire PO15 5ST, UK</p>	
<p>Date / Signature of Manufacturer: Date: 20th May 2013</p>	
<p>Name / Position of Signatory: Mr. Robert Rees Q.A.Manager Elta Fans Ltd,</p>	



BUILDING SERVICES

Tel: +44 (0) 1384 275800
Fax: +44 (0) 1384 275810
e-mail: bs@eltofans.co.uk

46 Third Avenue
Pensnett Trading Estate
Kingswinford, West Midlands
DY6 7US, United Kingdom

APPLIED TECHNOLOGY

Tel: +44 (0) 1489 566500
Fax: +44 (0) 1489 566555
e-mail: at@eltofans.co.uk

17 Barnes Wallis Road
Segensworth East Industrial Estate
Fareham, Hampshire
PO15 5ST, United Kingdom

EXPORT

Tel: +44 (0) 1489 566500
Fax: +44 (0) 1489 566555
e-mail: export@eltofans.co.uk

17 Barnes Wallis Road
Segensworth East Industrial Estate
Fareham, Hampshire
PO15 5ST, United Kingdom

www.eltofans.com



BS EN ISO 9001:2008
FM 556465



A member of
HEVAC ASSOCIATION



PATRONS

A member of

ELTA
GROUP LIMITED