

5 67 259 0

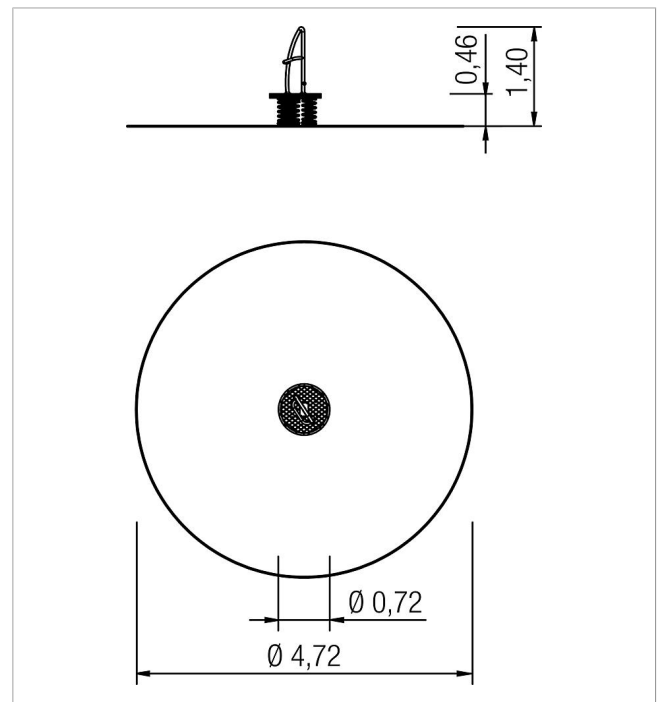
Basis Windsurfer small

made in germany



Scope of delivery

1x windsurfer small: stainless steel, high-pressure laminate, HDPE
3x spring: spring steel



	Material	VA, HPL, HDPE
	Foundation level	FL 3
	Minimum space	Ø 4,72x2,26 m
	Free falling height	46 cm
	Impact protection net	18,0 m ²
	Foundations	1x CF