



5 68 038 0

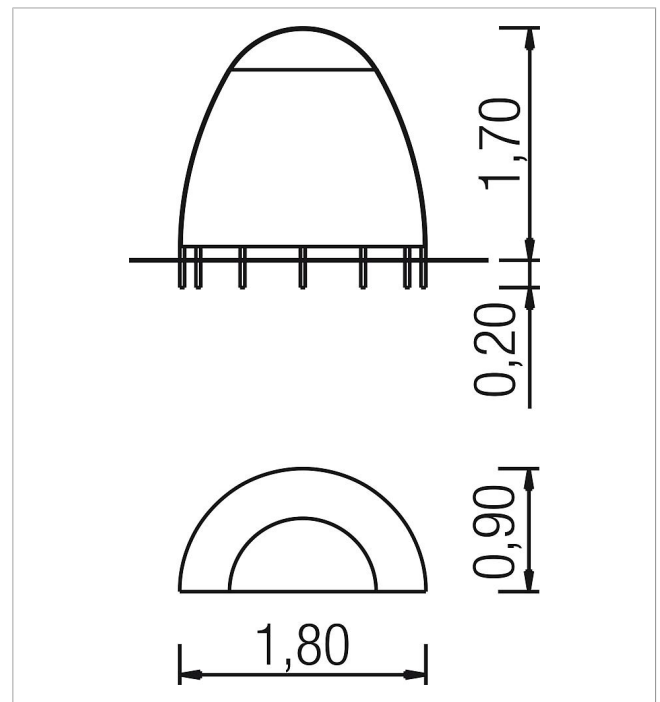
Basis Wicker shell


made in germany

1+

Scope of delivery

1x willow shell: willow



	Material	Wicker
	Foundation level	-
	Minimum space	1,80x0,90x1,80 m
	Free falling height	-
	Impact protection net	-
	Foundations	-
	Largest section	180x90x190 cm
	Heaviest section	10 kg