

**5 51 536 0**

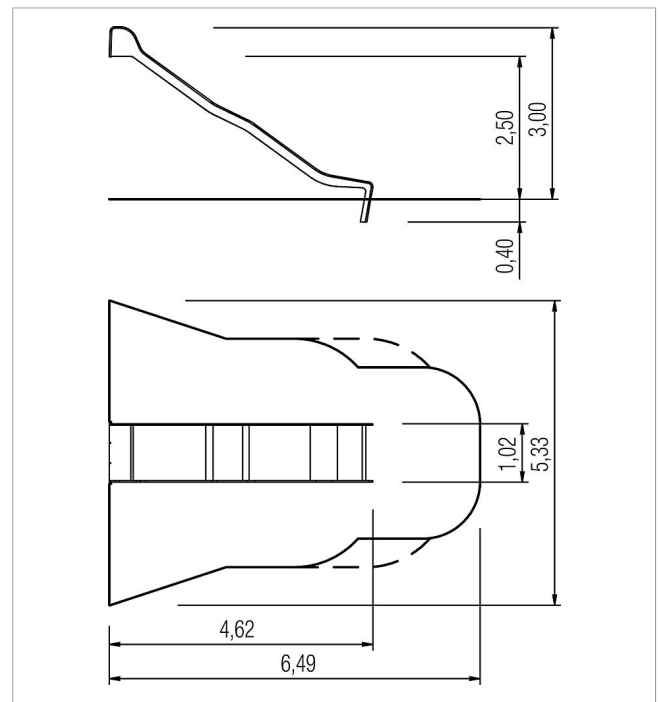
**Basis Wave slide broad,  
ph 250 cm**

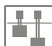




made in germany



**Scope of delivery**

1x slide ph 250 cm: stainless steel



	Material	Stainless steel
	Foundation level	FL 1
	Minimum space	6,49x5,33x4,30 m
	Free falling height	250 cm
	Impact protection net	24,5 m <sup>2</sup>
	Foundations	2x CF or 2x PFs + 1x CF
	Assembly	2 persons/3 h
	Largest section	520x100x70 cm
	Heaviest section	164 kg