

5 62 015 0

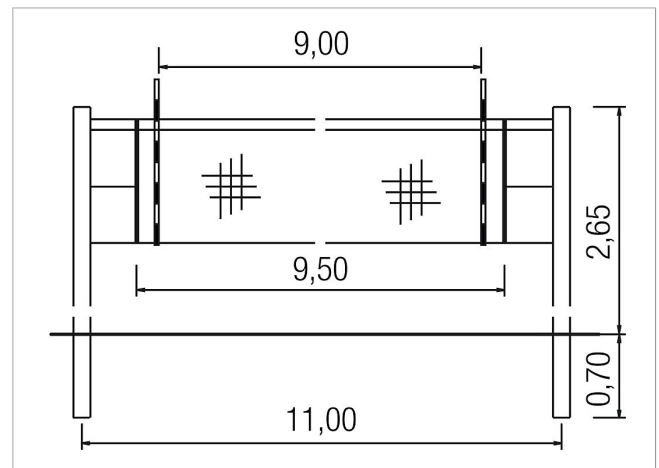
## fit Volleyball post Miami

made in germany



### Scope of delivery

2x posts incl. clamping device: aluminium



	Material	Aluminium
	Foundation level	FL 3
	Minimum space	-
	Free falling height	-
	Impact protection net	-
	Foundations	-
	Largest section	-
	Heaviest section	9 kg